



Whitehall Versalette™ 47" Wide

Model 4049

Please visit www.whitehallmfg.com
for most current specifications.



Fixture May Show Some Available Options

Versalette™ 47" Wide

Versalette™ features a durable, user friendly design which is both functional and compact. The Versalette™ includes a stainless steel basin, bedpan washer, stainless steel toilet and padded toilet cover that doubles as a bedside seat.

Cabinet surface is high pressure laminate. Specify desired color selection. Interior surfaces are stain-resistant melamine laminate. Cabinet doors provide access to the bedpan washer, single valve dialysis box and separate panel for plumbing access. Cabinet includes a pivoting, padded toilet cover and back rest which doubles as a bedside seat. Seat color selection is determined by factory. Cabinet features a heavy duty stainless steel modular frame and includes stainless steel bottom kick plates.

Countertop is constructed of Corterra™ cast polyester resin. Specify desired color selection.

Lavatory Basin is a 16" Diameter x 5" Deep, "D" Shaped Self-Rimming Bowl fabricated of heavy gage, type 304 stainless steel. A chrome-plated grid strainer, tailpiece and 1-1/2" P-trap are provided.

Hot and Cold Mixing Faucet includes wrist blade handles and a gooseneck spout.

Toilet is a floor mounted, elongated, stainless steel, blowout jet type bowl and includes a self-sustaining white hinged seat. Toilet is capable of withstanding 5,000 pound load without sustaining permanent damage.

Hydraulic Flush Valve is provided for installation within cabinet and unit includes a service access panel. Minimum required flow pressure is 35 PSI.

Bedpan Washer is concealed within cabinet and includes a hand-held bedpan washer with volume control, positive shut-off and stainless steel hose. Consult local codes and ordinances for requirements: Elevated pressure type vacuum breakers are often recommended with this feature to prevent back-siphonage or backflow occurring and possibly contaminating the water supply.

GUIDE SPECIFICATION

Whitehall Versalette™ (specify model number and options). Cabinet shall include heavy duty modular stainless steel frame with exterior panels made of high density wood core. Cabinet surface to be high pressure laminate and interior surfaces to be melamine. Countertop to be constructed of Corterra™ cast polyester resin (with aluminum trihydrate and other fillers). Specify color. Provide pivoting padded seat cover with back rest, plumbing access and toilet tissue holder. Provide floor mounted, elongated, stainless steel toilet bowl with 1.6 GPF and self-sustaining hinged seat complete with hydraulic flush valve and push button. Provide stainless steel basin. Concealed bedpan washer cabinet shall include a hand-held bedpan washer with positive shut-off and stainless steel hose.



Whitehall Manufacturing

Hospital-Ware

MODEL NUMBER AND OPTIONS SELECTION

BASE MODEL NUMBER (Must Specify)

4049 Versalette™ - 47" Wide

TOILET ORIENTATION (Must Specify)

- L Left Hand Toilet
 - R Right Hand Toilet

TOILET WASTE (Must Specify)

Off-Floor, Wall Outlet
 On-Floor, Wall Outlet
 On-Floor, Floor Outlet

BACKSPLASH ORIENTATION (Must Specify)

- 1 Back Wall Only (One Wall)
 - 2 Right Hand Corner (Two Wall)
 - 3 Left Hand Corner (Two Wall)
 - 4 Right & Left Hand Corner (Three Wall)

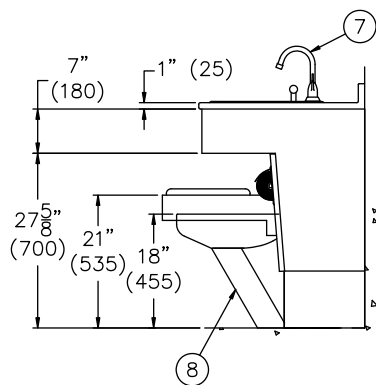
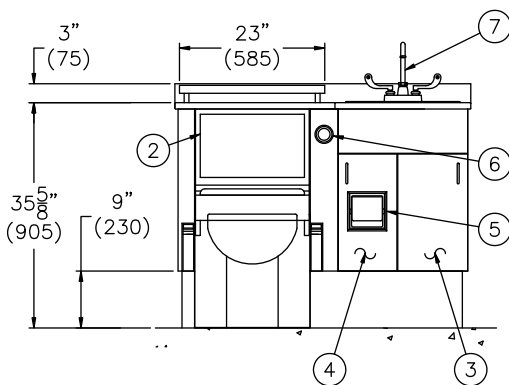
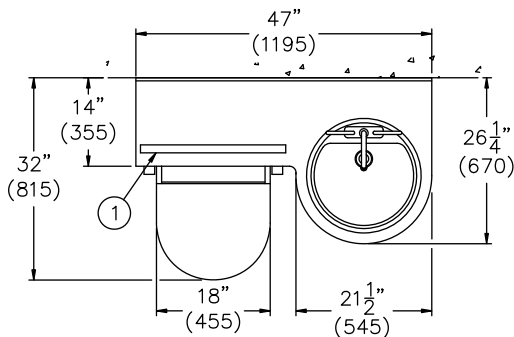
COLOR SELECTION (Must Specify)

Countertop _____
Cabinet _____

Please visit www.whitehallmfg.com
for most current specifications.

Product Options

- AE Aerator (on Gooseneck Spout)
- BAT Battery Operated (-SO)
- BL Bedpan Lugs
- CCL Corterra Countertop w/ Integral Corterra Lavy
- CNCT Corian Countertop w/ Stainless Steel Lavy
- CNCTL Corian Countertop w/ Integral Corian Lavy
- CS Stainless Steel Countertop
- DB1 Hemo-Dialysis Box, Single Valve
- DB2 Hemo-Dialysis Box, Dual Valve
- EC Extended Countertop
- EG Enviro-Glaze __Basin, __ -SST Toilet.
Specify Color: _____
- GB 23" Grab Bar
- LCT Less Countertop, with Lavy & Valve
- LCTL Less Countertop & Lavy with Valve
- LCTLV Less Countertop, Lavy & Valve
- LFN Laminar Flow Nozzle
- LLV Less Lavy & Valve with Countertop
- LS Lavatory Hose Spray
- MT Metal Template
- SF Special Finish
- SO Sensor Operated Valve
- SS Storage Shelf
- SUG Swing Up Grab Bar
- WO3 Waste Outlet 3" OD
in Lieu of Standard 2-3/8" OD
- VF Concealed Hot & Cold
Foot Pedal Operated Air-Control Valve



NOTES:

1. OPTIONAL 23" GRAB BAR SHOWN.
2. REMOVABLE PADDED HINGED SEAT COVER
3. OPTIONAL -DB HEMO DIALYSIS COMPARTMENT OR STORAGE COMPARTMENT
4. BEDPAN WASHER COMPARTMENT
5. PAPER HOLDER
6. FLUSH VALVE PUSHBUTTON
7. GOOSENECK SPOUT w/ WRIST BLADE HANDLES
8. STAINLESS STEEL TOILET

All dimensions are nominal and subject to manufacturer's change without notice. Whitehall assumes no responsibility for use of void or suspended data © 2009 Whitehall Manufacturing, A Division of Acorn Engineering Company. Please visit www.whitehallmfg.com for most current specifications.

SELECTION SUMMARY & APPROVAL FOR MANUFACTURING

Model Number & Options _____ Quantity _____
 Company _____ Date _____
 Contact _____ Title _____
 Approval for Manufacturing/Signature _____