



### Whitehall Swingette

Includes Models 4050, 4055

Please visit [www.whitehallmfg.com](http://www.whitehallmfg.com)  
for most current specifications.



4050-R

Fixture May Show Some Available Options

**Cabinet** consists of a stationary wall section and a hinged lavatory section which conceals the toilet. A latch is provided to lock the lavatory cabinet in the open or closed position. Cabinet frame requires floor and wall anchoring. The wall section has a front access panel and a removable top for easy installation and maintenance. Exterior of cabinet is vinylclad aluminum. Specify cabinet color selection. Cabinet has a built-in toilet paper holder.

**Counter** is regularly furnished with high pressure laminate. Specify counter color selection.

**Lavatory** is heavy gage, type 304 stainless steel, self-rimmed, furnished with P-trap and is factory installed in counter.

**Lavatory Valve** is a deck-mounted, hot and cold mixing valve with wrist blade handles and a 10" rigid gooseneck.

**Toilet** is stainless steel, blowout jet type, with an elongated sanitary bowl, white plastic seat and a self-sustaining check hinge. Toilet operates with a 1.6 GPF flush valve and will withstand a 5,000 pound load without permanent damage.

**Flush Valve** is furnished standard, and requires a minimum of 25 PSI flow pressure.

#### GUIDE SPECIFICATION

Provide and install Whitehall Swingette (specify model number and options). Cabinet frame shall consist of a stationary wall section and a hinged lavatory section which have an arc welded heavy aluminum frame with exposed parts white Enviro-Glaze coated. Exterior of cabinet shall be vinylclad aluminum. A latch shall be provided, which locks the lavatory cabinet in the open or closed position. Provide factory installed toilet paper holder, flush valve, and secured stainless steel panel for access to valves and piping. Cabinet shall provide front toe space. Counter shall be high pressure laminate. Lavatory shall be heavy gage, type 304 stainless steel, self-rimmed, oval type, 9-1/2" x 14-1/2" x 6" deep. P-trap shall be furnished. Toilet shall be stainless steel, blowout jet type with elongated bowl. Trap shall pass a 2-1/8" ball. Toilet shall withstand loadings of 5,000 pounds without permanent damage. Provide factory installed white seat and pushbutton operated flush valve with vacuum breaker and checkstop. Toilet to flush with a 1.6 GPF flush valve.



### MODEL NUMBER AND OPTION SELECTIONS

**BASE MODEL NUMBER (Must Specify)**

- 4050 Swingette, Wall Waste Outlet
- 4055 Swingette, Floor Waste Outlet

**LEFT OR RIGHT HAND TOILET ORIENTATION (Must Specify)**

- L Left
- R Right

L (left) or R (right) indicates cabinet location in opened position when facing the fixture.

**COLOR SELECTION (Must Specify)**

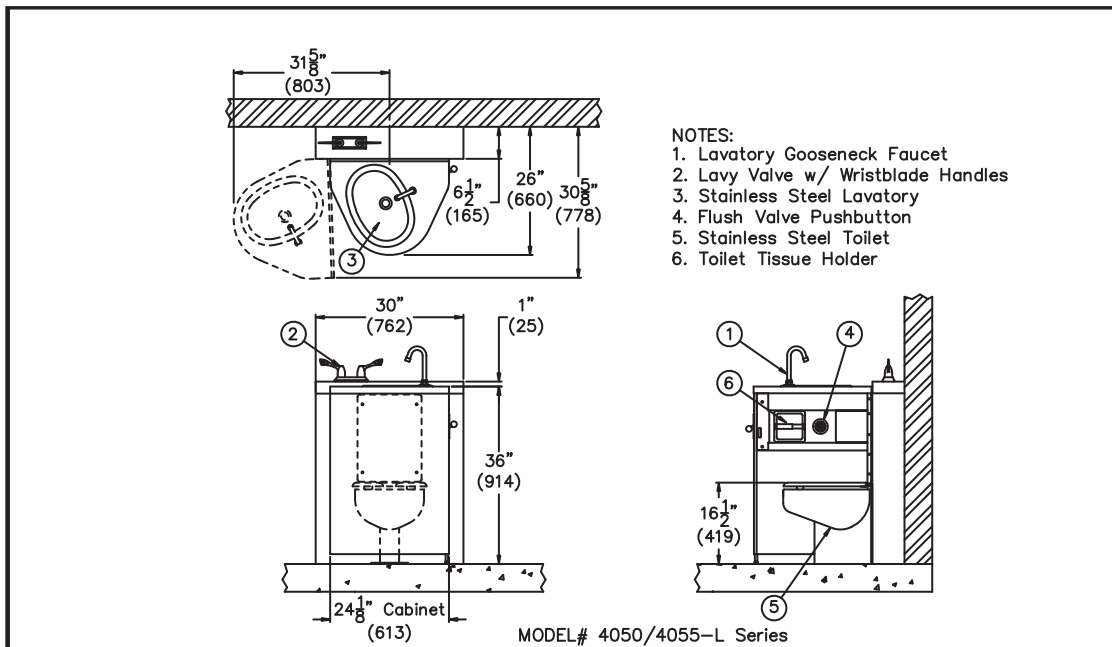
Countertop Finish \_\_\_\_\_

Cabinet Finish \_\_\_\_\_

**Product Options**

- AE Aerator (on Gooseneck Spout)
- BAT Battery Operated (-SO)
- BL Bedpan Lugs
- BW Bedpan Flusher (extended cabinet width & depth)
- CCL Corterra Countertop with Integral Corterra Lavy
- CCT Corterra Countertop. Specify Color: \_\_\_\_\_
- CNCT Corian Countertop w/ Stainless Steel Lavy
- CNCTL Corian Countertop w/ Integral Corian Lavy
- CS Stainless Steel Countertop with Integral Lavy
- DB1 Hemo-Dialysis Box, Single Valve
- DB2 Hemo-Dialysis Box, Dual Valve
- EG Enviro-Glaze \_\_\_Lavatory \_\_\_Toilet.  
Specify: \_\_\_\_\_
- FCI Flush Cycle Interrupt
- IVB In-Line Vacuum Breaker on Bedpan Washer
- LCT Less Countertop, Furnish Lavy and Valve
- LCTL Less Countertop and Lavy, Furnish Valve
- LCTLV Less Countertop, Lavy and Valve
- LFN Laminar Flow Nozzle
- LLV Less Lavy and Valve, Furnished with Countertop
- LS Lavatory Hose Spray
- LV Less Valve, Furnished with Countertop and Lavy
- MT Metal Template
- SO Sensor Operated Valve
- SUG Swing Up Grab Bar
- VF Concealed H & C Foot Pedal Operated Air-Control Valve
- WO3 Waste Outlet 3" OD in Lieu of Standard 2-3/8" OD

Please visit [www.whitehallmfg.com](http://www.whitehallmfg.com) for most current specifications.



All dimensions are nominal and subject to manufacturer's change without notice. Whitehall assumes no responsibility for use of void or suspended data © 2004 Whitehall Manufacturing, A Division of Acorn Engineering Company. Please visit [www.whitehallmfg.com](http://www.whitehallmfg.com) for most current specifications.

**SELECTION SUMMARY & APPROVAL FOR MANUFACTURING**

Model Number & Options \_\_\_\_\_ Quantity \_\_\_\_\_  
 Company \_\_\_\_\_ Date \_\_\_\_\_  
 Contact \_\_\_\_\_ Title \_\_\_\_\_  
 Approval for Manufacturing/Signature \_\_\_\_\_