



Whitehall Recessed Laser Supply and Waste Box

Model 8198

Please visit www.whitehallmfg.com
for most current specifications.



8198

Fixture May Show Some Available Options

Box is 18 gage, type 304 stainless steel with a glass blast finish interior. Exterior of box includes mounting clips for anchoring box to the wall construction. Wall flange is 16 gage, type 304 stainless steel and includes locking door with cylinder lock. Exterior surfaces are polished to a satin finish.

Door is provided with piano hinge Cam and Cylinder Lock with Key Lock and two keys.

Valve and Stop body is cast bronze with exposed parts chrome plated. Valve and stop feature tamper resistant lockshield bonnets and replaceable cartridges containing all wearing parts. The valve body casting is gasketed where it joins the box and is securely anchored. Valve includes atmospheric vacuum breaker and 3/4" NPT male and female quick disconnect fitting. Screwdriver stop allows servicing the control valve without shutting down the water supply. Supply inlet is 3/4" NPT female.

Waste Connection includes a 3/4" NPT male and female quick disconnect fitting.

Waste Fitting is cast bronze with rough chrome finish and is securely bolted to the box. It will slip 2" SPS and is furnished with Permaseal for waterproofing.

GUIDE SPECIFICATION

Whitehall Laser Recessed Supply and Waste Box Model 8198. Wall box to be type 304 stainless steel with exposed surfaces polished to a satin finish. Provide removable stainless steel wall flange. Vacuum breaker on supply outlet. Provide positive shutoff quick disconnect on both supply and waste outlets. Valve to be cartridge operated type with vandal-resistant lockshield bonnet and screwdriver operated stop.



MODEL NUMBER AND OPTION SELECTIONS

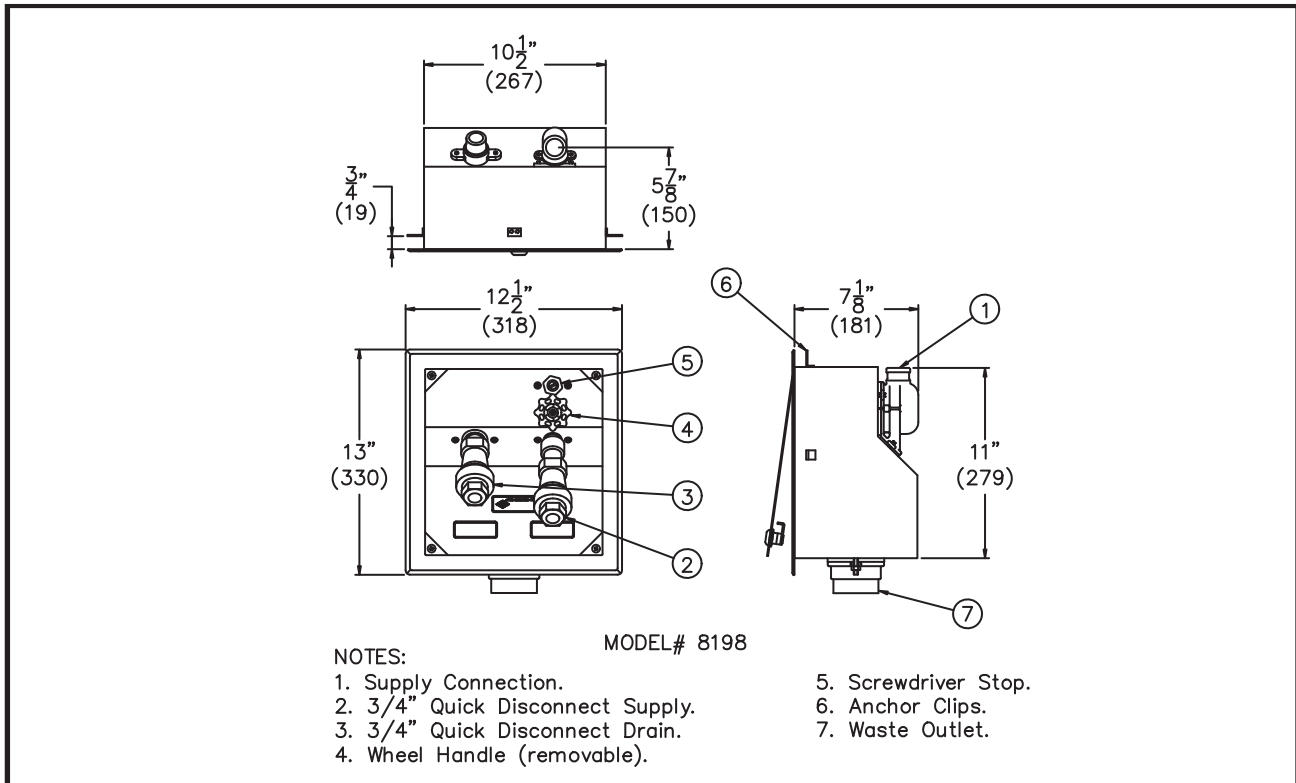
BASE MODEL NUMBER

○ 8198 Recessed Laser Supply and Waste Box

Product Options

None Available

Please visit www.whitehallmfg.com for most current specifications.



All dimensions are nominal and subject to manufacturer's change without notice. Whitehall assumes no responsibility for use of void or suspended data © 2004 Whitehall Manufacturing, A Division of Acorn Engineering Company. Please visit www.whitehallmfg.com for most current specifications.

SELECTION SUMMARY & APPROVAL FOR MANUFACTURING

Model Number & Options _____ Quantity _____

Company _____ Date _____

Contact _____ Title _____

Approval for Manufacturing/Signature _____