

CARE-WARE®



A DIVISION OF ACORN ENGINEERING CO.

Patient Healthcare Systems Patient Healthcare Systems Patient Healthcare Systems



Whitehall Manufacturing, a division of Acorn Engineering Company, is based on the same principles set by its parent company to engineer the best product possible for the best price available. This mission has successfully continued for nearly three decades producing an extended line of bedside patient care units called Care-Ware®. Care-Ware® stations alleviate the need for separate patient restrooms and are ideally suited for bedside locations within long-term acute care facilities.

Whitehall takes great pride in knowing that it pioneered many of the designs currently used in the industry today. The tradition of innovation is evident in the Versalette® and the Swivette® Care-Ware® units. Both are dynamic, multi-functional stations consisting of a concealed toilet, large sink and counter area, bedpan washer, dialysis box, and storage areas... all in one attractive, space-saving cabinet.

Care-Ware® stations are constructed of high quality, durable materials. Made of special composites, the cabinets are stain-resistant and most can be specified with either stainless steel or china toilets. Care-Ware® units are ergonomically designed to provide comfort, convenience and dignity to the patient and the professional caregiver. Most units feature removable access panels and doors that make installation, maintenance, and cleaning easier.



a step above the rest

The wide spectrum of color options for the countertops, cabinets and toilets, allow for the appropriate amount of design flexibility to the units.

Whitehall is an authorized fabricator of some of the most respected names in solid surface and laminate finishes.



CORTERRA®



Coral



Sunset Stone



Iverstone



Sahara



Obsidian



Peppercorn



Midnight Sapphire



Smoky Granite



Imperial Jade

Corterra® Countertop consists of a lightweight solid surface cast polyester resin. Nine color options available.

Stainless steel countertops provide maximum sanitary and durability features. All exposed surfaces have connecting seams ground smooth and polished to a satin finish.

Enviro-Glaze® option is an electrostatically applied finish that adds color to stainless steel components.

finishes



SWIVETTE®

STAINLESS STEEL FRAME

The Swivette® features a swing-out stainless steel toilet concealed in an attractive cabinet. When the cabinet door is opened, the toilet automatically swings out into a lockable position. Providing complete sanitation, a lever releases the lock allowing for easy closure without ever touching the toilet. The Swivette® model #4030 series features a full cabinet height door that conceals the bedpan washer, conveniently located next to the toilet for easy washout.

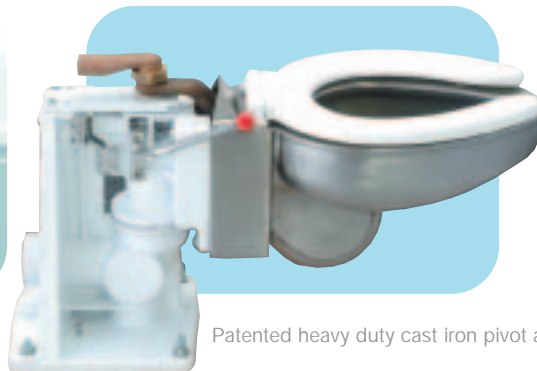
The Swivette® can be customized in many ways. An optional Enviro-Glaze® color coating can be applied to the stainless steel sink and toilet. Several color choices are available along with a vast selection of cabinet, countertop, sink and faucet styles that will complement any décor. Additionally, we offer right or left opening orientation.

Model Shown:
Bedpan washer, single valve dialysis box, sensor operated and Corterra countertop with integral lavy.
Enviro-Glazed® cabinet and toilet
Model # 4030-R-1-CCT-DB-1-SO



features

- Durable, long lasting materials and construction
- Commercial quality plumbing hardware
- Large sink basin and heavy gage stainless steel toilet
- Bedpan washer with flexible hose and nozzle, positive shutoff and volume control
- 3" tall backsplash
- Large hydraulic pushbutton flush valve
- Vast selection of coordinated cabinet and countertop colors
- Stainless steel toilet tested to withstand 2,500 lb weight capacity
- Optional built-in Hemo-dialysis box



Patented heavy duty cast iron pivot assembly.



SWIVETTE®

STAINLESS STEEL FRAME

Whitehall offers a variety of finishes and countertops that can be customized to meet the design requirements dictated by special projects.

Model Shown:
Bedpan washer, single valve dialysis box, and
stainless steel counter with integral lavy.
Model # 4030-R-1-CS-DB1



features

- Durable, long lasting materials and construction
- Commercial quality plumbing hardware with commercial faucet and wrist blade handle.
- Large sink basin and heavy gage stainless steel toilet
- Bedpan washer with flexible hose and nozzle, positive shutoff and volume control
- 3" tall backsplash
- Large hydraulic pushbutton flush valve
- Vast selection of coordinated cabinet and countertop colors
- Stainless steel toilet tested to withstand 2,500 lb weight capacity
- Optional built-in Hemo-dialysis box



VERSALETTE®

STAINLESS STEEL FRAME

The Versalette® features a concealed fixed toilet and hinged cover that doubles as a seat. Overall, its user-friendly design is both functional and compact. The cabinet is slim in size and features rounded corners finished with soft edges. A unique angled door swings out of the way, allowing access to the bedpan washer and conveniently located toilet paper roll. The Versalette® can also be

customized to your specifications. An optional Enviro-Glaze® color coating can be applied to the stainless steel sinks and toilets. Enviro-Glaze® is a durable, chip resistant powder paint, electrostatically applied to the outside surface of the sink or toilet, then cured at temperatures in excess of 400° F. Many color choices are available to complement any décor. Additionally, we offer a vast selection of cabinet colors, countertop styles, sink and faucet types, as well as right or left opening orientation.



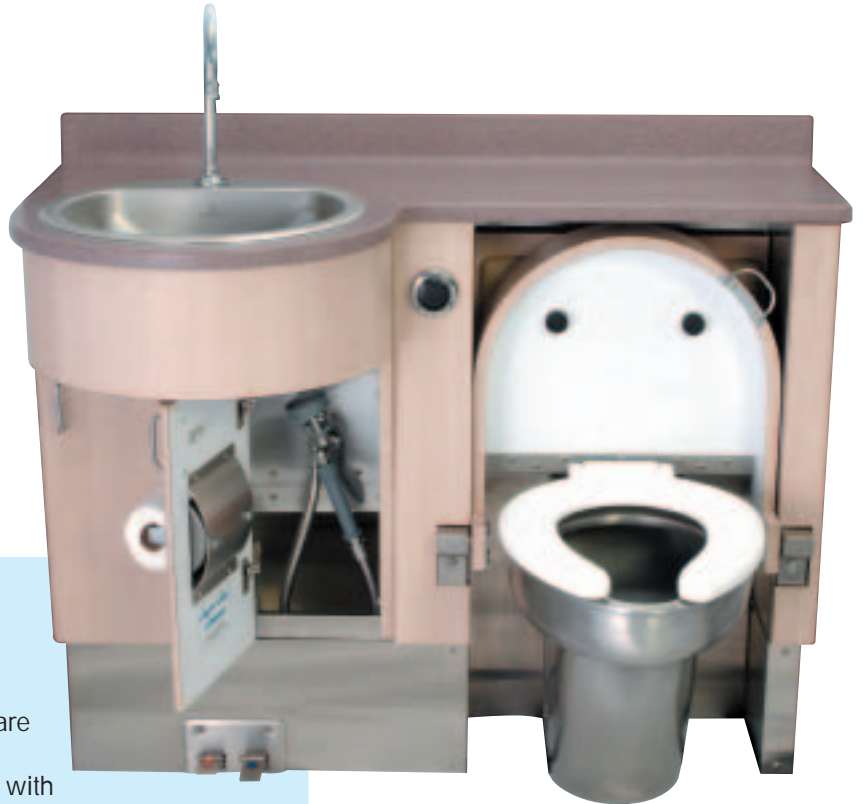
Model Shown:
47" wide stainless steel frame with
Corterra® countertop, bedpan washer
(standard) on-the-floor stainless steel
toilet with a 5,000lb test weight capacity
and foot pedal valve operation.
Model # 4049-R-DB1-VF





features

- Durable, long lasting materials and construction
- Commercial quality plumbing hardware
- Standard commercial quality faucet with dual wrist blade handles
- Large sink basin will hold 1,000 ml I.V. bags
- Stainless steel floor mounted toilet to withstand 5,000 lb. test weight
- Bedpan washer with flexible hose and nozzle, positive shutoff and volume control
- Large pushbutton hydraulic flush valve
- 3" tall backsplash
- Vast selection of coordinated cabinet and countertop colors
- Toilet cover that serves as a padded seat for the examiner/visitor
- Optional foot pedal activated faucet with flip-up feature for easy cleaning
- Patented fold down seat cover assembly



Model Shown:
47" wide cabinet.
Model # 4049



Model Shown:
40" wide cabinet.
Model # 4049



ADA VERSALETTE®

STAINLESS STEEL FRAME

The Whitehall Versalette® model #4048 is an ADA compliant, multi-functional care station consisting of a concealed toilet, large sink, counter area and fold away bedside unit. The Versalette® is ideal for intensive care, critical care, and long term care facilities.



Model Shown:
Model # 4048ADA-R-DB1-SST-EG

features



Optional dialysis box,
standard paper holder

- ADA compliant
- Integrated 36" stainless steel grab bar
- Bedpan washer
- Durable construction and materials throughout, featuring a stainless steel frame
- Corterra® solid surface countertop (available in several colors)
- Large stainless steel "D Bowl" basin
- Commercial quality plumbing hardware
- Can be modified to accommodate various ADA requirements



Model Shown:
Model # 4048ADA-R-DB1-SST-EG



VERSALETTE®

WOOD FRAME CABINET

The wide spectrum of color options for the countertops, cabinetry and toilets, allow for the appropriate amount of design flexibility to the units. Whitehall is an authorized fabricator of some of the most respected names in solid surface and laminate finishes.



Model Shown:
Bedpan washer (standard)
Model # 4044-R-1-DB-1-CC

features

- Durable, long lasting materials and construction
- Commercial quality plumbing hardware
- Commercial quality faucet with dual wrist blade handles
- Large sink basin will hold 1,000 ml I.V. bags
- White China toilet (optional stainless steel toilet available)
- Bedpan washer with flexible hose and nozzle, positive shutoff and volume control
- Large pushbutton hydraulic flush valve
- 3" tall backsplash
- Vast selection of coordinated cabinet and countertop colors
- Toilet cover that serves as a padded seat for the examiner/visitor
- Optional foot pedal activated faucet with flip-up feature for easy cleaning
- Patented fold down seat cover assembly



Proven and accepted wood cabinetry.



SWINGETTE®

STAINLESS STEEL FRAME

The Swingette® features a hinged lavatory cabinet which conceals the floor-mounted toilet and houses the stainless steel sink. The lavatory cabinet door comes with a continuous hinge and a latch that locks it in an open or closed position. The hinged lavatory cabinet can be specified in either left or right hand orientation and can provide a degree of privacy for the user.



Model Shown:
Wall outlet, Stainless steel toilet.
Model # 4050-R



Model Shown:
4050-R-BW

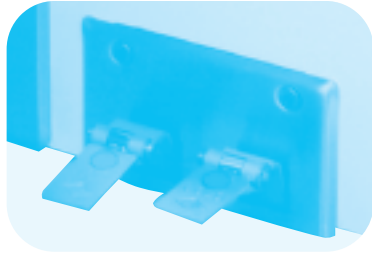
features

- Durable, long lasting materials and construction
- Commercial quality plumbing hardware
- 10" Gooseneck commercial faucet with dual wrist blade handles
- Large stainless steel sink basin
- Heavy gage stainless steel toilet
- Large hydraulic pushbutton flush valve
- Continuous door hinge with locking latch

MODULETTE[®]

STAINLESS STEEL FRAME

The Modulette is part of our compact series Care-Ware bedside units. It is specifically designed to replace the Modulav II[®] and is also suited for new installations. The Modulette features a fixed position toilet and a large stainless steel sink (shown with optional foot activated pedals). The toilet paper roll and pushbutton flush valve are conveniently located on the front of the unit.



Model Shown:
Wall outlet and stainless steel countertop with
integral lavy and hot & cold foot operation.
Model # 4060-L-VF-CS-SS

features

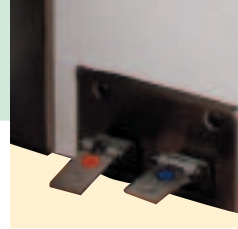
- Durable, long lasting materials and construction
- Commercial quality plumbing hardware
- 10" Gooseneck commercial faucet with dual wrist blade handles
- Large stainless steel sink basin
- Heavy gage stainless steel toilet
- Large hydraulic pushbutton flush valve
- Optional Foot activated water valves (flip-up style)



options



- **-AE AERATOR** is a screen at the opening of the gooseneck faucet which adds air to the water to help control splashing.
- **-BIS BUILT-IN SEAT** is an integral part of the unit and allows for seating guests or healthcare personnel.
- **-BL BEDPAN LUGS** help with positioning the bedpan during cleaning. Bedpan lugs are available for both vitreous china and stainless steel toilets.
- **-BW BEDPAN WASHER** is conveniently located above the toilet for ease of use.
- **-BWD BEDPAN WASHER DRAIN** catches the residual water from the bedpan washer, thus aiding in sanitation.
- **-CS STAINLESS STEEL COUNTERTOP** with integral lavatory. For maximum sanitation and durability, the absence of connecting seams helps avoid bacterial build up. All exposed surfaces are polished to a satin finish.
- **-DB HEMO-DIALYSIS BOX** is offered with either dual or single supply valves and features a corrosion resistant type 316 stainless steel interior box.
- **-EC EXTENDED COUNTERTOP** gives added working surface for both patients and hospital personnel.
- **-EG ENVIRO-GLAZE** is an electrostatically applied finish that adds color to stainless steel components. For an extended list of colors, please contact Whitehall.
- **-EP EXPOSED PAPER HOLDER** can be mounted on front of the cabinet for easy access.



- **-LFN LAMINAR FLOW NOZZLE** is a threaded faucet attachment designed for a softer, nonsplash water flow.
- **-LS LAVATORY HOSE SPRAY** operates from the same valve as the gooseneck spout and is mounted on the countertop. It is similar to a hand held spray on a kitchen faucet.
- **-MT METAL TEMPLATE** provides a pattern to assist locating rough-in dimensions.
- **-RT ROLL-AWAY SEAT & COVER** conceals the toilet bowl on the Modulette and doubles as a seat when the toilet is not in use.
- **-SO SENSOR OPERATED VALVE** provides sanitary “hands-free” washing.
- **-SS STORAGE SHELF** divides the compartment to provide additional shelf space.
- **-SST STAINLESS STEEL TOILET** is more durable, sanitary and offers a wide choice of colors with Enviro-Glaze finishes. The Versalette® uses only blow-out type toilet.
- **-ULF ULTRA LOW FLUSH** specifies only 1.6 gallons of water per flush, thereby reducing the water consumption.
- **-VF HOT & COLD FOOT PEDAL VALVE** with a gooseneck spout provide hands-free and flip-up design for easy cleaning.
- **-CCT CORTERRA® COUNTERTOP** consists of a lightweight solid surface cast polyester resin counter with a drop-in stainless steel lavy. Nine Corterra® color options are available.



options reference chart

STYLE AND MODEL #	AERATOR	BUILT-IN SEAT	BEDPAN LUGS	BEDPAN WASHER	BEDPAN WASHER DRAIN	STAINLESS STEEL COUNTERTOP	HEMO-DIALYSIS BOX	EXTENDED COUNTERTOP	ENVIRO-GLAZE®	EXPOSED PAPER HOLDER	LAMINAR FLOW NOZZLE	LAVY HOSE SPRAY	METAL TEMPLATE	INSTALAID FOR 3" SOIL PIPE	INSTALAID FOR 4" SOIL PIPE	ROLL-AWAY SEAT & COVER	SPECIAL FINISH	SENSOR OPERATED VALVE	STORAGE SHELF	STAINLESS STEEL TOILET	ULTRA FLOW FLUSH	HOT & COLD FOOT PEDAL VALVES	CORTERRA COUNTERTOP
	AE	BIS	BL	BW	BWD	CS	DB	EC	EG	EP	LFN	LS	MT	N3	N4	RT	SF	SO	SS	SST	ULF	VF	CCT
SWIVETTE																							
4010	•	•	•		•	•	•	•	•	•	•	•	•	•	•		•	•	•	STD	STD	•	
4012	•	•	•		•	•	•	•	•	•	•	•	•	•	•		•	•	•	STD	STD	•	
4015	•	•	•		•	•	•	•	•	•	•	•	•	•	•		•	•	•	STD	STD	•	
4020			•	•			•		•	•			•	•	•		•		•	STD	STD		
4022			•	•			•		•	•			•	•	•		•		•	STD	STD		
4025			•	•			•		•	•			•	•	•		•		•	STD	STD		
4026									•	•			•	•	•		•		•	STD	STD		
4027									•	•			•	•	•		•		•	STD	STD		
4028									•	•			•	•	•		•		•	STD	STD		
4030									•	•	•	•	•	•	•		•	•	•	STD	STD	•	
4032									•	•	•	•	•	•	•		•	•	•	STD	STD	•	
4035									•	•	•	•	•	•	•		•	•	•	STD	STD	•	
VERSALETTE																							
4040		STD	•	STD		•	•	•	•	STD			•				•				STD		•
4042		STD	•	STD		•	•	•	•	STD	•	•	•				•	•		•	STD	•	•
4044		STD	•	STD		•	•	•	•	STD	•	•	•				•	•		•	STD	•	•
4046		STD	•	STD	•	•	•	•	•	STD	•	•	•				•	•		STD	STD	•	STD
4047		STD	•	STD	•	•	•	•	•	STD	•	•	•				•	•		•	STD	•	STD
ADA4048		STD	•	STD	•	•	•	•	•	STD	•	•	•				•	•		•	STD		STD
4049		STD	•	STD	•	•	•	•	•	STD	•	•	•				•	•		•	STD	•	STD
SWINGETTE																							
4050	•		•						•	STD	•	•	•	•	•		•	•		STD	STD	•	
4055	•		•						•	STD	•	•	•	•	•		•	•		STD	STD	•	
MODULETTE																							
4060	•		•			•	•	STD	•	•	•	•	•	•	•	•	•	•		STD	STD	•	
4065	•		•			•	•	STD	•	•	•	•	•	•	•	•	•	•		STD	STD	•	

• = Available option STD = Standard on all models Blank = Not available



accessories



Model # 8191



Model # 8198



Model # 8186



Model # 2899

HEMO-DIALYSIS SUPPLY AND WASTE BOX (8190 SERIES)

is offered with dual or single supply valves and features a type 316 stainless steel interior box.

LASER SUPPLY AND WASTE BOX (8198 SERIES)

is used with laser and similar style machines where water is used for heating or cooling and then discharged into the drain.

HOSE SUPPLY AND WASTE BOX (8180 SERIES)

is used with heart-lung and similar style machines and is offered with dual or single supply valves.

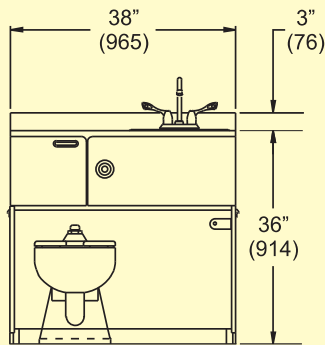
WALL MOUNTED BEDPAN WASHER (2899 SERIES)

is a separate bedpan washer mounted to the wall. The unit features both hot & cold pressure balanced mixing valve and a spray assembly with flexible hose.

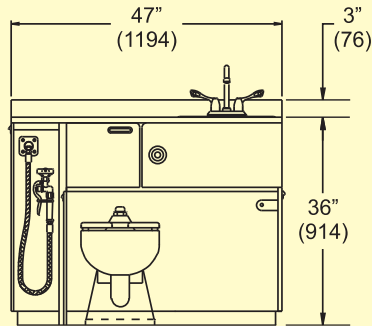


specifications

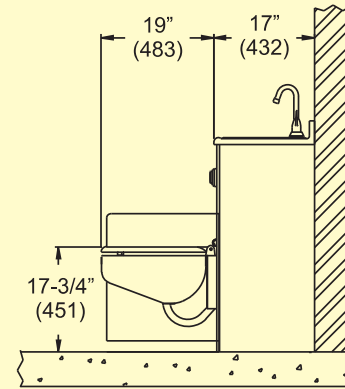
SWIVETTE



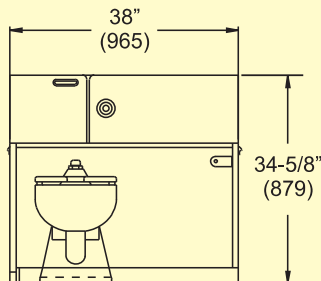
4010 BACK WALL WASTE OUTLET
4012 SIDE WALL WASTE OUTLET
4015 FLOOR WASTE OUTLET



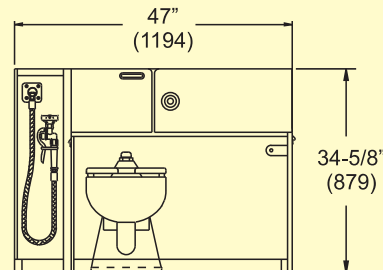
4030 BACK WALL WASTE OUTLET
4032 SIDE WALL WASTE OUTLET
4035 FLOOR WASTE OUTLET



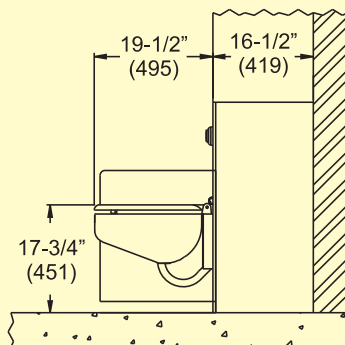
TYPE SECTION 4010 & 4030 SERIES



4020 BUILT-IN BACK WALL WASTE OUTLET
4022 BUILT-IN SIDE WALL WASTE OUTLET
4025 BUILT-IN FLOOR WASTE OUTLET



4026 BUILT-IN BACK WALL WASTE OUTLET
4027 BUILT-IN SIDE WALL WASTE OUTLET
4028 BUILT-IN FLOOR WASTE OUTLET



TYPE SECTION 4020 SERIES

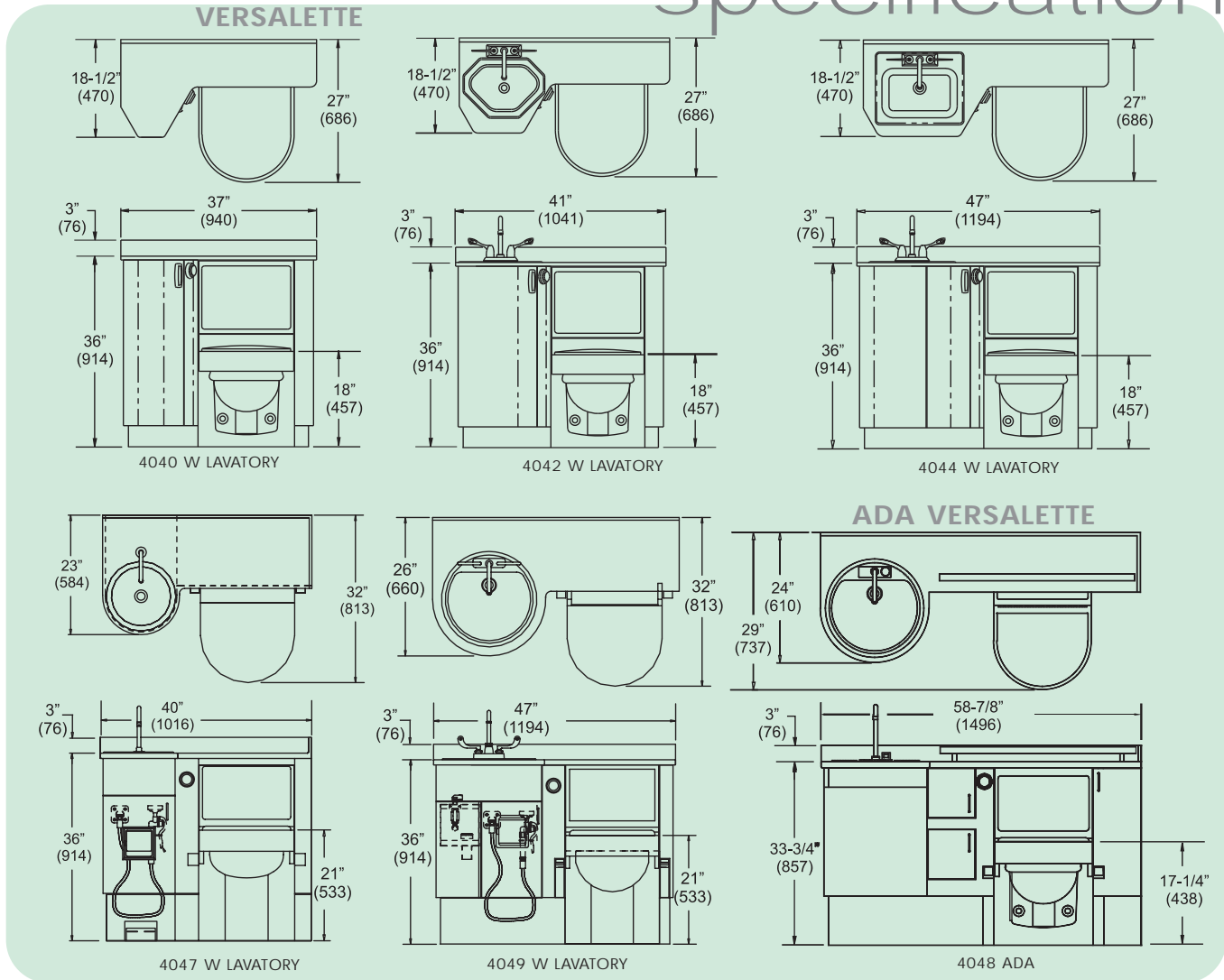
SWIVETTE - 4010, 4012, 4015, 4030, 4032, 4035 GUIDE SPECIFICATION

Swivette Models (specify model number and options) are manufactured from type 304 stainless steel frame. Cabinet doors and panels are constructed of a high density woodcore finished with high pressure laminate. Door is linked to toilet swivel. The unit includes a hydraulic flush valve and toilet tissue holder. Doors shall support a 250 pound static vertical load. Countertop finished with high pressure laminate. The stainless steel lavatory measures 9-1/2" x 14-1/2" x 6" deep. Stainless steel elongated toilet with hinged seat. Toilet shall withstand load of 2,500 pounds without damage. Side compartment for bedpan washer with positive shut-off, includes elevated pressure type vacuum breaker (4030, 4032 and 4035).

SWIVETTE - 4020, 4022, 4025, 4026, 4027, 4028 GUIDE SPECIFICATION

Swivette Models (specify model number and options). Type 304 stainless steel frame. Cabinet doors and panels constructed of high density woodcore finished with high pressure laminate. Door is linked to toilet swivel. Includes hydraulic flush valve and toilet holder. Door shall support a 250 pound static vertical load. Stainless steel elongated toilet with hinged seat. Toilet shall withstand load of 2,500 pounds without damage. Side compartment for bedpan washer with positive shut-off, includes elevated pressure type vacuum breaker (4026, 4027 and 4028).

specifications



VERSALETTE - 4040, 4042, 4044 GUIDE SPECIFICATION

Versalette Model (specify model number and options). Cabinet constructed of high density woodcore finished with high pressure laminate. Includes pivoting seat cover, hydraulic flush valve and toilet tissue holder. Base molding by others. Countertop finished with high pressure laminate. Stainless steel lavatory (4042; 8-1/4" x 12-3/4" x 6" deep, 4044; 9-1/2" x 14-1/2" x 6" deep). Wall mounted, elongated, vitreous china toilet bowl with self-sustaining hinged seat. Wall carrier by others. Concealed bedpan washer with positive shut-off, includes elevated type vacuum breaker.

Note: If floor waste outlet is required, please consult Whitehall.

VERSALETTE - 4047, 4049, GUIDE SPECIFICATION

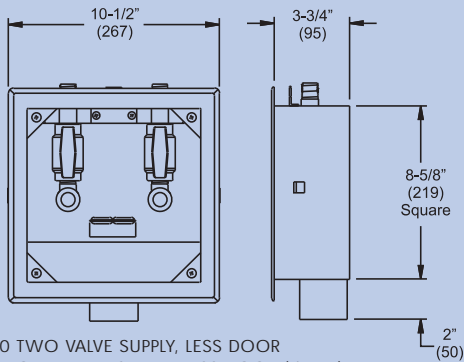
Versalette Model constructed of type 304 stainless steel frame with exterior panels made of high density woodcore. Exterior surface made of high pressure laminate and interior surfaces of melomene (specify model number and options). The units include a pivoting seat cover, hydraulic flush valve and toilet tissue holder. Base molding by others. Countertop finished with Corterra® solid surface. Floor mounted, elongated, stainless steel toilet bowl with self-sustaining hinged seat. Wall carrier by others, (if required). Concealed bedpan washer with positive shut-off, includes elevated pressure type vacuum breaker. **Note:** If floor waste outlet is required, please consult Whitehall. Toilet to withstand 5,000lbs test weight.

ADA VERSALETTE - 4048ADA GUIDE SPECIFICATION

ADA Versalette Model constructed of type 304 stainless steel frame with exterior panels made of high density woodcore. Exterior surface made of high pressure laminate and interior surfaces of melomene (specify model number and options). Includes pivoting seat cover, hydraulic flush valve and toilet tissue holder. Base molding by others. Countertop finished with Corterra® solid surface. Stainless steel lavatory, and 36" long stainless steel grab bar provided. Floor mounted, elongated, stainless steel bowl with self sustaining hinged seat. Wall carrier by others, (if required). Concealed bedpan washer with positive shut-off, includes elevated type vacuum breaker. **Note:** If floor waste outlet is required, please contact Whitehall. Toilet to withstand 5,000lbs test weight.

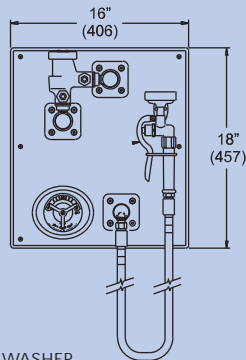
specifications

HEMO-DIALYSIS BOXES



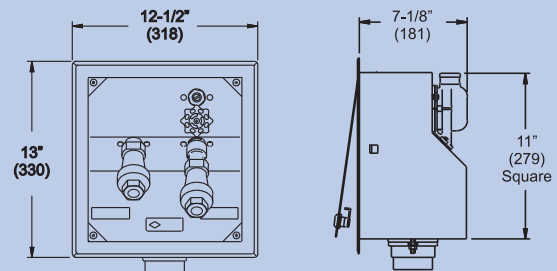
- 8190 TWO VALVE SUPPLY, LESS DOOR
- 8191 ONE VALVE SUPPLY, LESS DOOR (shown)
- 8195 TWO VALVE SUPPLY, W/DOOR & LOCK
- 8196 ONE VALVE SUPPLY, W/DOOR & LOCK

BEDPAN WASHER



2899 BEDPAN WASHER

LASER BOX



8198 LASER SUPPLY AND WASTE BOX

BEDPAN WASHER – 2899 GUIDE SPECIFICATION

Bedpan Washer Model 2899. stainless steel face plate with satin finish. Recessed wall box. Hot and cold mixing valve with built-in check stops. Pressure type elevated vacuum breaker. Bedpan washer with positive shut-off stainless steel clad flex hose 60" long with positive shutoff quick disconnect.

RECESSED HEMO-DIALYSIS SUPPLY AND WASTE BOX – 8190, 8191, 8195, 8196 GUIDE SPECIFICATION

Recessed Hemo-dialysis Supply and Waste Box (specify model number and options). Type 316 stainless steel with beadblast interior. Removable wall flange of type 304 stainless steel with satin finish. Ball valve with Viton seals.

RECESSED LASER SUPPLY AND WASTE BOX 8198 GUIDE SPECIFICATION

Laser Recessed Supply and Waste Box Model 8198 type 304 stainless steel with satin finish. Removable stainless steel wall flange. Vacuum beaker on supply outlet. Positive shutoff quick disconnects on both supply and waste outlets. Valve is cartridge operated type with vandal-resistant lockshield bonnet and screwdriver operated stop.



SCRUB-WARE®

Stainless Steel Surgical Scrub Sinks

Whitehall's stainless steel surgical scrub sinks are designed and engineered to be durable, easy to maintain and convenient to use. Scrub sinks are available in single, double or triple station configurations. The sinks can be modified to accommodate ADA compliance.



WHITEHALL WHIRLPOOLS

THE STANDARD in HydroTherapy Equipment

Whitehall designs and manufactures a complete line of whirlpools for hydrotherapy treatment. Our whirlpools are constructed of heavy gage stainless steel and polished to a satin finish.



A DIVISION OF ACORN ENGINEERING CO.

15125 Proctor Ave.
City of Industry, CA 91746

P.O. Box 3527
City of Industry, CA 91744 U.S.A.

800-782-7706 626-968-6681
Fax 626-855-4862
www.whitehallmfg.com