



# Whitehall Manufacturing

## Hospital-Ware

### Whitehall Free-Standing Swivette

Includes Models  
4010, 4012, 4015

Please visit [www.whitehallmfg.com](http://www.whitehallmfg.com)  
for most current specifications.



4010-L-1-CNCT

Fixture May Show Some Available Options

**Cabinet** exterior surfaces are high pressure laminate. Interior surfaces are stain-resistant melamine laminate and stainless steel. Interior has a removable stainless steel floor to conceal frame anchors. Specify cabinet color selection.

**Counter** has a 3" backsplash and a bullnose front edge. Surface is high pressure laminate. Specify counter color selection.

**Lavatory** is heavy gage, type 304 stainless steel, self-rimmed, furnished with P-trap and wall flange. Lavatory is always located on the opposite side of the toilet.

**Lavatory Valve** is a deck-mounted, hot and cold mixing valve with wrist blade handles and a 10" rigid gooseneck and conforms with CHSC 118675 lead free requirements.

**Toilet** is stainless steel, siphon jet type with white plastic seat and self-sustaining check hinge. Door linkage swivels the toilet into the room when cabinet door is opened. The toilet is locked in place when open and must be unlatched to close. Toilet operates with a 1.6 GPF flush valve.

**Hydraulic Flush Valve** is furnished standard with a 1-3/4" diameter, hydraulically actuated, remote pushbutton. Flush valve requires a minimum of 25 PSI flow pressure when used in conjunction with a minimum 1.6 gpf flush valve.

**Swivel Assembly** is cast iron with a sanitary white Enviro-Glaze finish, and has a positive watertight, chemical-resistant seal. Swivel assembly requires floor anchoring and will withstand a 2,500 pound static vertical load.

**Optional Bedpan Washer** mounts in lieu of the storage compartment and includes a handheld bedpan washer with volume control, positive shut-

off and stainless steel hose. **An elevated pressure type vacuum breaker by others is recommended with this selection to prevent backflow or siphonage from occurring and possibly contaminating the water supply. Consult local codes for back flow prevention device requirements.** Optional -BWD Bed Pan Washer Drain is recommended.

#### GUIDE SPECIFICATION

Provide and install Whitehall Swivette (specify model number and options). Cabinet frame shall be heliarc welded, type 304 stainless steel, and shall not require wall support. Cabinet doors and panels shall be high pressure laminate. Door on toilet side shall be linked to toilet, so that when door is opened or closed, the toilet will swivel accordingly. Door on lavatory side shall be provided with a toilet paper holder. Doors shall support a 250 pound static, vertical load. Front panels shall hinge open for access to valves and piping. Bedpan storage cupboard shall be provided above the toilet. Cabinet shall provide front toe space. Counter shall be high pressure laminate with a 3" backsplash and bullnose front. Lavatory bowl shall be heavy gage, type 304 stainless steel, self-rimmed, rectangular type, 9-1/2" x 14-1/2" x 6" deep. P-trap shall be furnished. Toilet shall be stainless steel, elongated, siphon jet type, and shall flush in any position along the arc of movement. Trap shall pass a 2-1/8" ball. Toilet shall withstand loadings of 2,500 pounds without permanent damage. Toilet seat shall have self-sustaining check hinge. Toilet to flush with a 1.6 GPF flush valve.



### MODEL NUMBER AND OPTIONS SELECTION

#### BASE MODEL NUMBER (Must Specify)

- HW-4010 Swivette Free-Standing, Back Wall Waste Outlet
- HW-4012 Swivette Free-Standing, Side Wall Waste Outlet
- HW-4015 Swivette Free-Standing, Floor Waste Outlet

**Note:** Side wall outlet is only available on the toilet side of fixture.

#### TOILET ORIENTATION (Must Specify)

- L Left Hand Toilet
- R Right Hand Toilet

**Notes:** L (Left) or R (Right) indicates toilet location in opened position when facing the fixture. Lavy is always located on side opposite the toilet.

#### BACKSPLASH/CABINET ORIENTATION (Must Specify)

- 1 Back Wall Only (One Wall)
- 2 Right Hand Corner (Two Wall)
- 3 Left Hand Corner (Two Wall)
- 4 Alcove (Three Wall)

#### COLOR SELECTION (Must Specify)

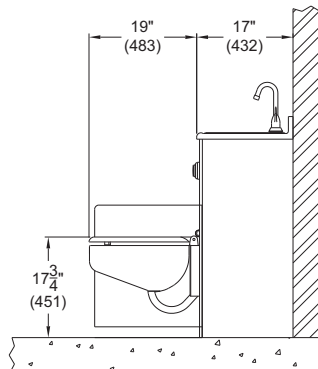
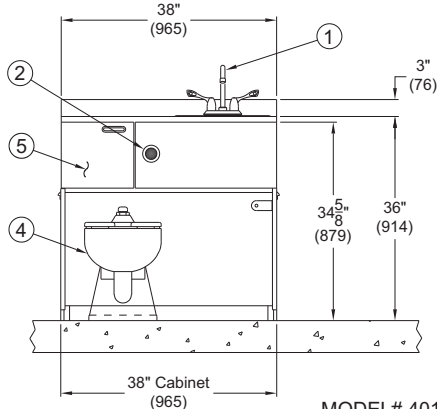
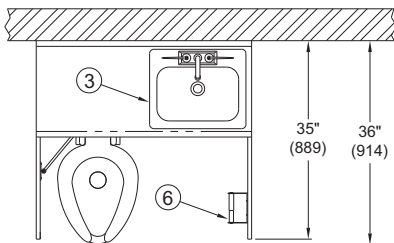
Countertop \_\_\_\_\_

Cabinet \_\_\_\_\_

Please visit [www.whitehallmfg.com](http://www.whitehallmfg.com) for most current specifications.

#### PRODUCT OPTIONS (Must Specify)

- AE Aerator (on Gooseneck Spout)
- BAT-SO Battery Operated (-SO)
- BL Bedpan Lugs
- BW Bedpan Washer (Built-In)
- CCL Corterra™ Countertop w/ Integral Lavy
- CCT Corterra™ Countertop  
Specify Color: \_\_\_\_\_
- CNCT Corian™ Countertop w/ Stn. Steel Lavy
- CNCTL Corian™ Countertop w/ Integral Contrasting Colored Lavy Bowl
- CS Stn. Steel Countertop w/ Integral Lavy
- DB1 Hemo-Dialysis Box, Single Valve
- DB2 Hemo-Dialysis Box, Dual Valve
- EC Extended Countertop  
Specify Length: \_\_\_\_\_
- EG Enviro-Glaze:  
 Lavy  
 Cabinet Interior  
 Toilet Exterior Only  
 Toilet Interior  
Specify Color: \_\_\_\_\_
- EP Exposed Paper Holder
- FCI Flush Cycle Interrupt
- HET High Efficiency Toilet w/ 1.28 GPF FV
- LCT Less Countertop, Furnish Lavy & Valve
- LCTL Less Countertop & Lavy, Furnish Valve
- LCTLV Less Countertop, Lavy & Valve
- LFN Laminar Flow Nozzle
- LLV Less Lavy & Valve, Furnish Countertop
- LS Lavatory Hose Spray
- LV Less Valve, Furnish Countertop & Lavy
- MT Metal Template
- SF Special Finish Specify Color: \_\_\_\_\_
- SO Sensor Operated Valve
- SS Storage Shelf
- SUG Swing Up Grab Bar
- VF Concealed H & C Foot Pedal Operated Air-Control Valve
- WO3 Waste Outlet 3" in Lieu of Std. 2-3/8" (Requires a 3.5 gpf Flush Valve)



#### NOTES:

1. Lavatory Gooseneck Faucet.
2. Flush Valve Pushbutton.
3. Stainless Steel Lavatory.
4. Stainless Steel Toilet.
5. Storage Compartment.
6. Toilet Tissue Holder.

MODEL# 4010/4015-L-1 Series

#### SELECTION SUMMARY & APPROVAL FOR MANUFACTURING

Model Number & Options \_\_\_\_\_ Quantity \_\_\_\_\_  
 Company \_\_\_\_\_ Date \_\_\_\_\_  
 Contact \_\_\_\_\_ Title \_\_\_\_\_  
 Approval for Manufacturing/Signature \_\_\_\_\_

All dimensions are nominal and subject to manufacturer's change without notice. Whitehall assumes no responsibility for use of void or suspended data © 2009 Whitehall Manufacturing, A Division of Acorn Engineering Company. Please visit [www.whitehallmfg.com](http://www.whitehallmfg.com) for most current specifications.