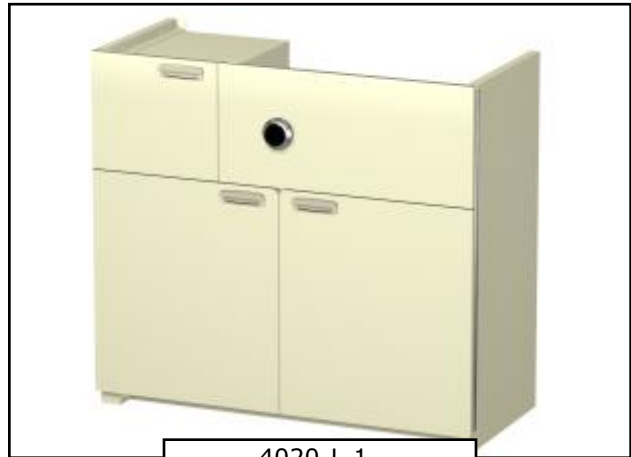




### Whitehall Built-In Swivette

Includes Models  
4020, 4022, 4025

Please visit [www.whitehallmfg.com](http://www.whitehallmfg.com)  
for most current specifications.



4020-L-1

Fixture May Show Some Available Options

**Cabinet** exterior surfaces are high pressure laminate. Interior surfaces are stain-resistant melamine laminate and stainless steel. Interior has a removable stainless steel floor to conceal frame anchors. Specify cabinet color selection.

**Toilet** is stainless steel, siphon jet type with white plastic seat and self-sustaining check hinge. Door linkage swivels the toilet into the room when cabinet door is opened. The toilet is locked in place when open and must be unlatched to close. Toilet operates with a 1.6 GPF flush valve.

**Hydraulic Flush Valve** is furnished with a 1-3/4" diameter, hydraulically actuated, remote pushbutton. Flush valve requires a minimum of 25 PSI flow pressure when used in conjunction with a minimum 1.6 gpf flush valve.

**Swivel Assembly** is cast iron with a sanitary white Enviro-Glaze finish, and has a positive watertight, chemical-resistant seal. Swivel assembly requires floor anchoring and will withstand a 2,500 pound static vertical load.

#### GUIDE SPECIFICATION

Provide and install Whitehall Swivette (specify model number and options). Cabinet frame shall be heliarc welded, type 304 stainless steel, and shall not require wall support. Cabinet doors and panels shall be high pressure laminate. Door on toilet side shall be linked to toilet, so that when door is opened or closed, the toilet will swivel accordingly. Door on the opposite side shall be provided with a toilet paper holder. Doors shall support a 250 pound static, vertical load. Front panels shall hinge open for access to valves and piping. Bedpan storage cupboard shall be provided above the toilet. Cabinet shall provide front toe space. P-trap shall be furnished. Toilet shall be stainless steel, elongated, siphon jet type, and shall flush in any position along the arc of movement. Trap shall pass a 2-1/8" ball. Toilet shall withstand loadings of 2,500 pounds without permanent damage. Toilet seat shall have self-sustaining check hinge. Toilet to flush with a 1.6 GPF flush valve.



### MODEL NUMBER AND OPTIONS SELECTION

#### BASE MODEL NUMBER (Must Specify)

- HW-4020 Swivette, Built-In, Back Wall Waste Outlet
- HW-4022 Swivette, Built-In, Side Wall Waste Outlet
- HW-4025 Swivette, Built-In, Floor Waste Outlet

**Note:** Side wall outlet is only available on the toilet side of fixture.

#### TOILET ORIENTATION (Must Specify)

- L Left Hand Toilet
- R Right Hand Toilet

**Notes:** L (left) or R (right) indicates toilet location in opened position when facing the fixture. Lavatory is always located on side opposite the toilet.

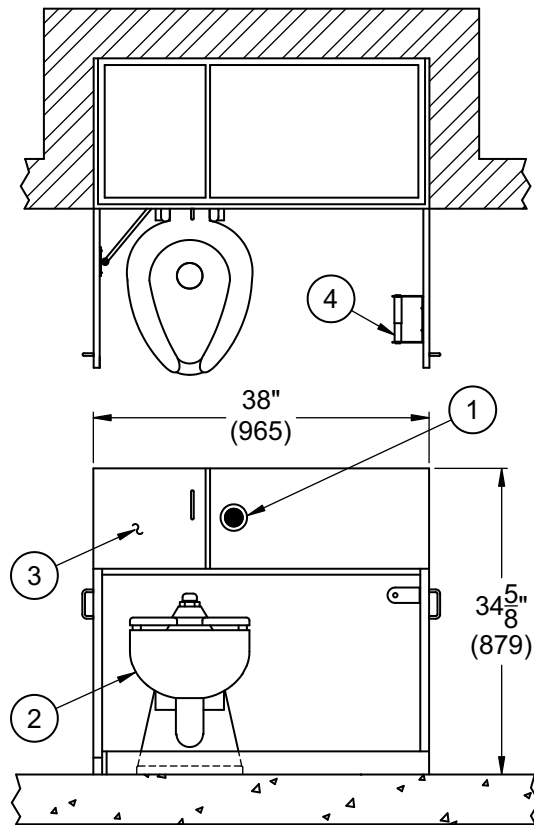
#### COLOR SELECTION (Must Specify)

Cabinet \_\_\_\_\_

### PRODUCT OPTIONS (Must Specify)

- BL Bedpan Lugs
- BW Bedpan Flusher (Built-In)
- DB1 Hemo-Dialysis Box, Single Valve
- DB2 Hemo-Dialysis Box, Dual Valve
- EG Enviro-Glaze:
  - Lavy
  - Toilet Exterior Only
  - Toilet Interior
  - Cabinet Interior
 Specify Color: \_\_\_\_\_
- EP Exposed Paper Holder
- FCI Flush Cycle Interrupt
- HET High Efficiency Toilet w/ 1.28 gpf FV
- MT Metal Template
- SS Storage Shelf
- WO3 Waste Outlet 3" in Lieu of Std. 2-3/8" (Requires 3.5 gpf Flush Valve)

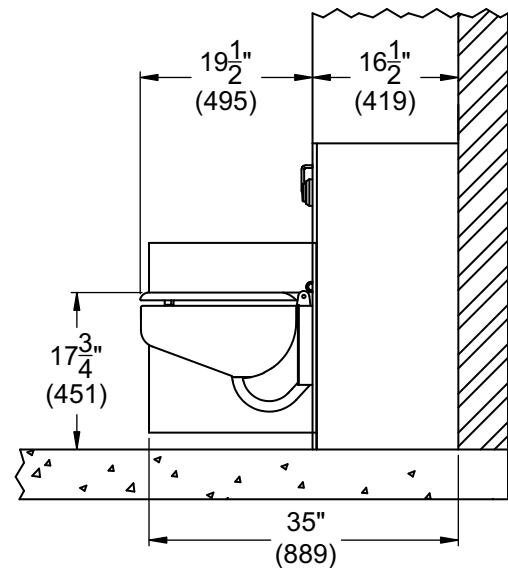
Please visit [www.whitehallmfg.com](http://www.whitehallmfg.com) for most current specifications.



MODEL# 4020/4022/4025-L Series

### NOTES:

1. Flush Valve Pushbutton.
2. Stainless Steel Toilet.
3. Storage Compartment.
4. Toilet Tissue Holder.



All dimensions are nominal and subject to manufacturer's change without notice. Whitehall assumes no responsibility for use of void or suspended data © 2004 Whitehall Manufacturing, A Division of Acorn Engineering Company. Please visit [www.whitehallmfg.com](http://www.whitehallmfg.com) for most current specifications.

### SELECTION SUMMARY & APPROVAL FOR MANUFACTURING

Model Number & Options \_\_\_\_\_ Quantity \_\_\_\_\_  
 Company \_\_\_\_\_ Date \_\_\_\_\_  
 Contact \_\_\_\_\_ Title \_\_\_\_\_  
 Approval for Manufacturing/Signature \_\_\_\_\_