



Whitehall Free-Standing Swivette with Bedpan Washer Cabinet

Includes Models
4030, 4032, 4035

Please visit www.whitehallmfg.com
for most current specifications.



4030-L-1-CNCTL-EP

Fixture may show some available options.

Cabinet exterior surfaces are high pressure laminate. Interior surfaces are stain-resistant melamine laminate and stainless steel. Interior has a removable stainless steel floor to conceal frame anchors. Specify cabinet color selection.

Counter has a 3" backsplash and a bullnose front edge. Surface is high pressure laminate. Specify counter color selection.

Lavatory is heavy gage, type 304 stainless steel, self-rimmed, furnished with P-trap and wall flange. Lavatory is always located on the opposite side of the toilet.

Lavatory Valve is a deck-mounted, hot and cold mixing valve with wrist blade handles and a 10" rigid gooseneck.

Toilet is stainless steel, siphon jet type with white plastic seat and self-sustaining check hinge. Door linkage swivels the toilet into the room when cabinet door is opened. The toilet is locked in place when open and must be unlatched to close. Toilet operates with a 1.6 GPF flush valve.

Hydraulic Flush Valve is furnished with a 1-3/4" diameter, hydraulically actuated, remote pushbutton. Flush valve requires a minimum of 25 PSI flow pressure.

Swivel Assembly is cast iron with a sanitary white Enviro-Glaze finish, and has a positive watertight, chemical resistant seal. Swivel assembly requires floor anchoring and will withstand a 2,500 pound static vertical load.

Bedpan Washer Cabinet mounts on toilet side of cabinet and includes a hand-held bedpan washer with volume control, positive shut-off and stainless steel hose. **An elevated pressure type vacuum breaker by others is recommended with this feature to prevent back-siphonage or backflow occurring and possibly contaminating the water supply. Consult local codes and ordinances for requirements.** Optional -BWD Bed Pan Washer Drain is recommended.

GUIDE SPECIFICATION

Provide and install Whitehall Swivette (specify model number and options). Cabinet frame shall be heliarc welded, type 304 stainless steel, and shall not require wall support. Cabinet doors and panels shall be high pressure laminate. Door on toilet side shall be linked to toilet, so that when door is opened or closed, the toilet will swivel accordingly. Door on lavatory side shall be provided with a toilet paper holder. Doors shall support a 250 pound static, vertical load. Front panels shall hinge open for access to valves and piping. Bedpan storage cupboard shall be provided above the toilet. Cabinet shall provide front toe space. Counter shall be high pressure laminate with a 3" backsplash and bullnose front. Lavatory bowl shall be heavy gage, type 304 stainless steel, self-rimmed, rectangular type, 9-1/2" x 14-1/2" x 6" deep. P-trap shall be furnished. Toilet shall be stainless steel, elongated, siphon jet type, and shall flush in any position along the arc of movement. Trap shall pass a 2-1/8" ball. Toilet shall withstand loadings of 2,500 pounds without permanent damage. Toilet seat shall have self-sustaining check hinge. Toilet to flush with a 1.6 GPF flush valve. Bedpan washer cabinet shall include a hand-held bedpan washer with positive shut-off and stainless steel hose.



MODEL NUMBER AND OPTIONS SELECTION

BASE MODEL NUMBER (Must Specify)

- WH-4030 Swivette, Back Wall Waste Outlet
- WH-4032 Swivette, Side Wall Waste Outlet
- WH-4035 Swivette, Floor Waste Outlet

Note: Side wall outlet is only available on the toilet side of fixture.

TOILET ORIENTATION (Must Specify)

- L Left Hand Toilet
- R Right Hand Toilet

Notes: L (Left) or R (Right) indicates toilet location in opened position when facing the fixture. Lavy is always located on side opposite the toilet.

BACKSPLASH/CABINET ORIENTATION (Must Specify)

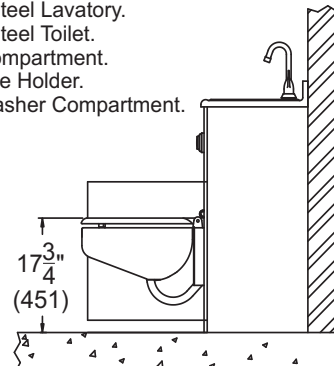
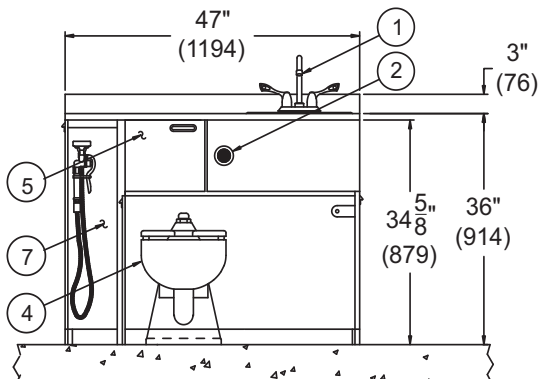
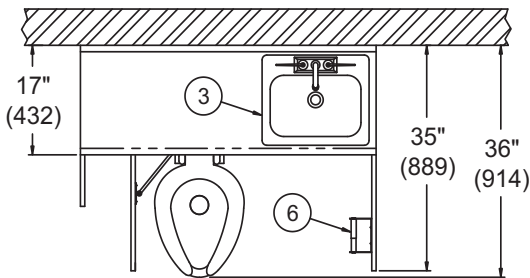
- 1 Back Wall Only (One Wall)
- 2 Right Hand Corner (Two Wall)
- 3 Left Hand Corner (Two Wall)
- 4 Alcove (Three Wall)

COLOR SELECTION (Must Specify)

Countertop _____

Cabinet _____

Please visit www.whitehallmfg.com for most current specifications.



MODEL# 4030 / 4032 / 4035 - L - 1 Series

All dimensions are nominal and subject to manufacturer's change without notice. Whitehall assumes no responsibility for use of void or suspended data © 2009 Whitehall Manufacturing, A Division of Acorn Engineering Company. Please visit www.whitehallmfg.com for most current specifications.

SELECTION SUMMARY & APPROVAL FOR MANUFACTURING

Model Number & Options _____ Quantity _____
 Company _____ Date _____
 Contact _____ Title _____
 Approval for Manufacturing/Signature _____

PRODUCT OPTIONS (Must Specify)

- AE Aerator (on Gooseneck Spout)
- BAT-SO Battery Operated (-SO)
- BL Bedpan Lugs
- BWD Bedpan Washer Drain
- CCL Corterra™ Countertop w/ Integral Lavy
- CCT Corterra™ Countertop
- Specify Color: _____
- CNCT Corian™ Countertop w/ Stn. Steel Lavy
- CNCTL Corian™ Countertop w/ Integral Contrasting Colored Lavy Bowl
- CS Stn. Steel Countertop w/ Integral Lavy
- DB1 Hemo-Dialysis Box, Single Valve
- DB2 Hemo-Dialysis Box, Dual Valve
- EC Extended Countertop
- Specify Length: _____
- EG Enviro-Glaze:
 - Lavy
 - Cabinet Interior
 - Toilet Exterior Only
 - Toilet Interior
 Specify Color: _____
- EP Exposed Paper Holder
- FCI Flush Cycle Interrupt
- HET High Efficiency Toilet w/ 1.28 gpf FV
- LCT Less Countertop, Furnish Lavy & Valve
- LCTL Less Countertop & Lavy, Furnish Valve
- LCTLV Less Countertop, Lavy & Valve
- LFN Laminar Flow Nozzle
- LLV Less Lavy & Valve, Furnish Countertop
- LS Lavatory Hose Spray
- LV Less Valve, Furnish Countertop & Lavy
- MT Metal Template
- SF Special Finish Specify Color: _____
- SO Sensor Operated Valve
- SS Storage Shelf
- SUB Swing Up Grab Bar
- VF Concealed H & C Foot Pedal Operated Air-Control Valve
- WO3 Waste Outlet 3" in Lieu of Std. 2-3/8" (Requires 3.5 gpf Flush Valve)

NOTES:

1. Lavatory Gooseneck Faucet.
2. Flush Valve Pushbutton.
3. Stainless Steel Lavatory.
4. Stainless Steel Toilet.
5. Storage Compartment.
6. Toilet Tissue Holder.
7. Bedpan Washer Compartment.