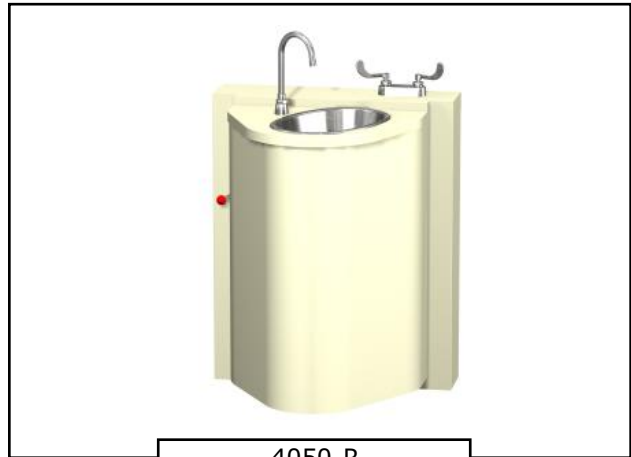




### Whitehall Swingette

Includes Models 4050, 4055

Please visit [www.whitehallmfg.com](http://www.whitehallmfg.com)  
for most current specifications.



4050-R

Fixture May Show Some Available Options

**Cabinet** consists of a stationary wall section and a hinged lavatory section which conceals the toilet. A latch is provided to lock the lavatory cabinet in the open or closed position. Cabinet frame requires floor and wall anchoring. The wall section has a front access panel and a removable top for easy installation and maintenance. Exterior of cabinet is vinylclad aluminum. Specify cabinet color selection. Cabinet has a built-in toilet paper holder.

**Counter** is regularly furnished with high pressure laminate. Specify counter color selection.

**Lavatory** is heavy gage, type 304 stainless steel, self-rimmed, furnished with P-trap and is factory installed in counter.

**Lavatory Valve** is a deck-mounted, hot and cold mixing valve with wrist blade handles and a 10" rigid gooseneck and conforms with CHSC 118675 lead free requirements.

**Toilet** is stainless steel, blowout jet type, with an elongated sanitary bowl, white plastic seat and a self-sustaining check hinge. Toilet operates with a 1.6 GPF flush valve and will withstand a 5,000 pound load without permanent damage.

**Flush Valve** is furnished standard, and requires a minimum of 25 PSI flow pressure when used in conjunction with a minimum 1.6 gpf flush valve.

**Optional Bed Pan Washer** with extended counter top configuration, is concealed within cabinet and includes a hand-held bedpan washer with volume control, positive shut-off and stainless steel hose. **An elevated pressure type vacuum breaker by others is recommended with this selection to prevent backflow or siphoning from occurring**

**and possibly contaminating the water supply. Consult local codes and ordinances for back flow prevention device requirements.** Optional - BWD Bed Pan Washer is recommended.

#### GUIDE SPECIFICATION

Provide and install Whitehall Swingette (specify model number and options). Cabinet frame shall consist of a stationary wall section and a hinged lavatory section which have an arc welded heavy aluminum frame with exposed parts white Enviro-Glaze coated. Exterior of cabinet shall be vinylclad aluminum. A latch shall be provided, which locks the lavatory cabinet in the open or closed position. Provide factory installed toilet paper holder, flush valve, and secured stainless steel panel for access to valves and piping. Cabinet shall provide front toe space. Counter shall be high pressure laminate. Lavatory shall be heavy gage, type 304 stainless steel, self-rimmed, oval type, 9-1/2" x 14-1/2" x 6" deep. P-trap shall be furnished. Toilet shall be stainless steel, blowout jet type with elongated bowl. Trap shall pass a 2-1/8" ball. Toilet shall withstand loadings of 5,000 pounds without permanent damage. Provide factory installed white seat and pushbutton operated flush valve with vacuum breaker and checkstop. Toilet to flush with a 1.6 GPF flush valve.



# Whitehall Manufacturing

## Hospital-Ware

### MODEL NUMBER AND OPTIONS SELECTION

#### BASE MODEL NUMBER (Must Specify)

- HW - 4050 Swingette, Wall Waste Outlet
- HW - 4055 Swingette, Floor Waste Outlet

#### LEFT OR RIGHT HAND TOILET ORIENTATION (Must Specify)

- L Left Hand Toilet
- R Right Hand Toilet

**Notes:** L (Left) or R (Right) indicates hinged cabinet location in opened position when facing the fixture. Lavy is always located on side opposite the toilet.

#### FLUSH VALVE SELECTION

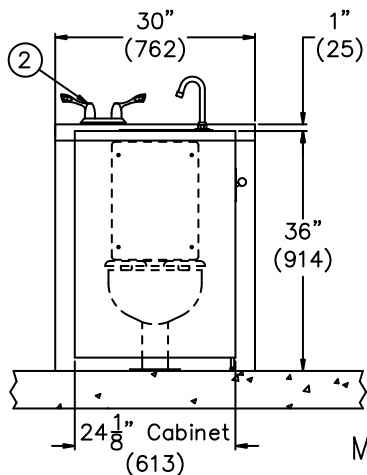
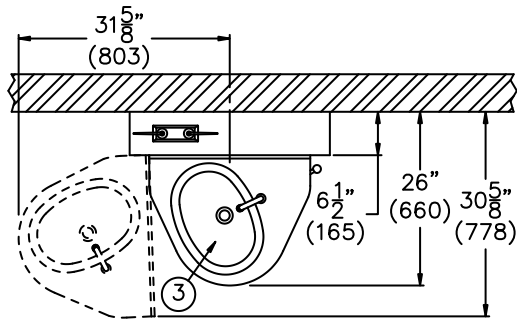
- HET - 1.28 GPF
- ULF - 1.6 GPF
- 3.5 GPF

#### COLOR SELECTION (Must Specify)

Countertop Finish \_\_\_\_\_

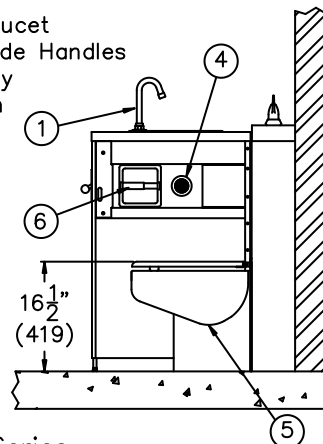
Cabinet Finish \_\_\_\_\_

Please visit [www.whitehallmfg.com](http://www.whitehallmfg.com) for most current specifications.



#### NOTES:

1. Lavatory Gooseneck Faucet
2. Lavy Valve w/ Wristblade Handles
3. Stainless Steel Lavatory
4. Flush Valve Pushbutton
5. Stainless Steel Toilet
6. Toilet Tissue Holder



MODEL# 4050/4055-L Series

#### SELECTION SUMMARY & APPROVAL FOR MANUFACTURING

Model Number & Options \_\_\_\_\_ Quantity \_\_\_\_\_  
 Company \_\_\_\_\_ Date \_\_\_\_\_  
 Contact \_\_\_\_\_ Title \_\_\_\_\_  
 Approval for Manufacturing/Signature \_\_\_\_\_

#### PRODUCT OPTIONS (Must Specify)

- AE Aerator (on Gooseneck Spout)
- BAT-SO Battery Operated (-SO)
- BL Bedpan Lugs
- BW Bedpan Washer (extended cabinet width & depth)
- CCL Corterra™ Countertop w/ Integral Lavy
- CCT Corterra™ Countertop  
Specify Color: \_\_\_\_\_
- CNCT Corian™ Countertop w/ Stn. Steel Lavy
- CNCTL Corian™ Countertop w/ Integral Contrasting Colored Lavy Bowl
- CS Stn. Steel Countertop w/ Integral Lavy
- DB1 Hemo-Dialysis Box, Single Valve
- DB2 Hemo-Dialysis Box, Dual Valve
- EC Extended Countertop
- EG Enviro-Glaze:
  - Lavy
  - Toilet Exterior Only
  - Toilet Interior
 Specify Color: \_\_\_\_\_
- FCI Flush Cycle Interrupt
- HET High Efficiency Toilet
- LCT Less Countertop, Furnish Lavy & Valve
- LCTL Less Countertop & Lavy, Furnish Valve
- LCTLV Less Countertop, Lavy & Valve
- LFN Laminar Flow Nozzle
- LLV Less Lavy and Valve, Furnish Countertop
- LS Lavatory Hose Spray
- LV Less Valve, Furnish Countertop & Lavy
- MT Metal Template
- SF Special Finish Specify Color: \_\_\_\_\_
- SO Sensor Operated Valve
- SUG Swing Up Grab Bar
- VF Concealed H & C Foot Pedal Operated Air-Control Valve
- WO3 Waste Outlet 3" OD in Lieu of Std. 2-3/8" (Requires a 3.5 gpf Flush Valve)

All dimensions are nominal and subject to manufacturer's change without notice. Whitehall assumes no responsibility for use of void or suspended data © 2009 Whitehall Manufacturing, A Division of Acorn Engineering Company. Please visit [www.whitehallmfg.com](http://www.whitehallmfg.com) for most current specifications.