



### Whitehall Stainless Steel Recessed Dialysis Supply and Waste Box

Includes Models  
8190, 8191, 8195, 8196

Please visit [www.whitehallmfg.com](http://www.whitehallmfg.com)  
for most current specifications.



8195

Fixture May Show Some Available Options

**Whitehall Stainless Steel Recessed Dialysis Supply and Waste Boxes** have been especially designed for dialysis machines which utilize RO (reverse osmosis) and DI (deionized) water, mixed with dialysate saline concentrate. This water is very corrosive and is commonly called "hungry water", because it eats away steel, some stainless steels, cast iron, copper and brass metals commonly used in supply and waste systems. There are two basic types of dialysis machines. One mixes dialysate into the RO-DI water inside the machine and the other requires pre-mixed water. When only one type is used, the single valve models are satisfactory. When both types are or may be used, the two valve models are required.

**Waste Box.** All parts of the Box which come in contact with waste water are fabricated from type 316 stainless steel. All seams are continuous welded and interior of the box and exposed parts of the waste receptor have a satin finish. The welded hose bracket will hold two discharge hoses. Tailpiece waste connection is 2-3/8" O.D. plain end. A stainless steel adjustable wall flange with satin finish is provided to cover space between wall and box. Wall flange is securely anchored with Phillips head screws at each corner. Waste outlet can be directly connected to 2" nominal size glass or plastic drainline with a mechanical coupling.

**Door** is provided with concealed hinge and Cam Cylinder Lock with Key Lock and two keys. Door can be easily removed after opening by releasing hinge pins with a screwdriver.

**Valves and Fittings** are PVC (polyvinyl chloride). Valves are ball type with Viton\* O-ring and are securely anchored to the box. Each valve is furnished with a flushing nipple for installation in valve outlet when lines are flushed into waste receptor.

#### GUIDE SPECIFICATION

Provide and install Whitehall Recessed Dialysis Supply and Waste Box model (specify model number) Box shall be fabricated from type 316 stainless steel with all seams continuous welded, and have a satin finish. Wall flange shall be heavy gage, type 304 stainless steel with satin finish. Ball valve and fittings shall be PVC (polyvinyl chloride) for corrosion-resistance with Viton seals. Nipples shall be provided for flushing of supply lines.

\* Registered trademark of E.I.

Dupont De Nemours



### MODEL NUMBER AND OPTION SELECTIONS

#### PRODUCT OPTIONS

None Available

#### BASE MODEL NUMBER (Must Specify)

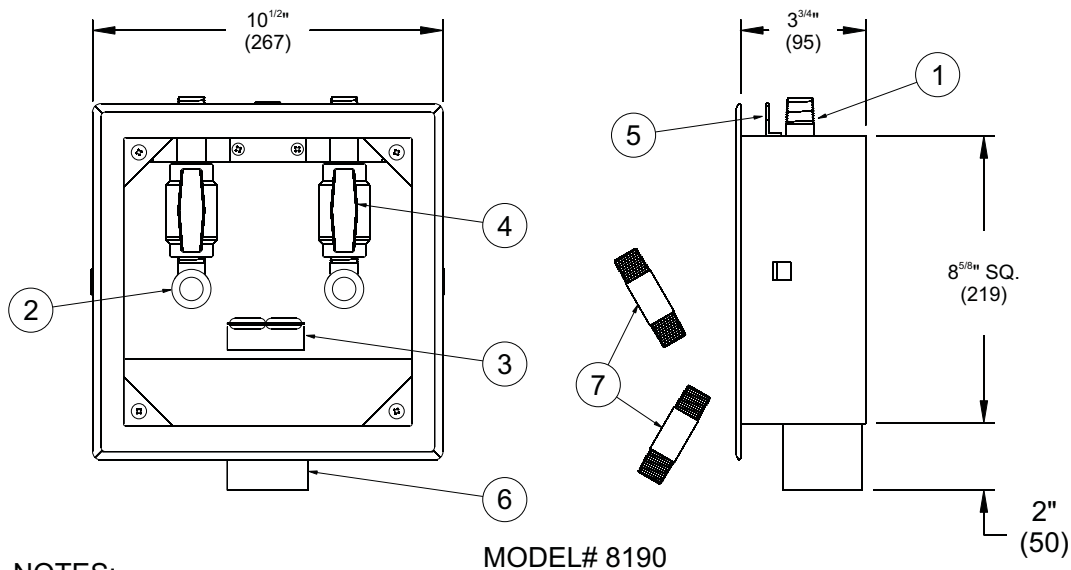
##### HEMO-DIALYSIS BOX WITH WALL FLANGE LESS DOOR

- 8190 Two Valve Supply, Less Door
- 8191 One Valve Supply, Less Door

##### HEMO-DIALYSIS BOX WITH WALL FLANGE AND DOOR

- 8195 Two Valve Supply With Door & Lock
- 8196 One Valve Supply With Door & Lock

Please visit [www.whitehallmfg.com](http://www.whitehallmfg.com) for most current specifications.



MODEL# 8190

#### NOTES:

1. Supply Connection.
2. Hose Connection.
3. Discharge Hose Bracket.
4. Control Valve.

5. Anchor Clips.
6. Waste Connection.
7. 3" Flushing Nipples.

All dimensions are nominal and subject to manufacturer's change without notice. Whitehall assumes no responsibility for use of void or suspended data © 2004 Whitehall Manufacturing, A Division of Acorn Engineering Company. Please visit [www.whitehallmfg.com](http://www.whitehallmfg.com) for most current specifications.

#### SELECTION SUMMARY & APPROVAL FOR MANUFACTURING

Model Number & Options \_\_\_\_\_ Quantity \_\_\_\_\_  
 Company \_\_\_\_\_ Date \_\_\_\_\_  
 Contact \_\_\_\_\_ Title \_\_\_\_\_  
 Approval for Manufacturing/Signature \_\_\_\_\_