



Whitehall Manufacturing®
Manufacturer of Healthcare and Rehabilitation Products since 1946

Lo-Boy Cold Tanks

Division of
Acorn Engineering Company®



A MEMBER OF



Use



L Series 105 Gallon Stationary Cold Tank with Legs

105-L-SL-TO



105-L-SL-TO

Whitehall 105-L-SL-TO Stationary Cold Tank with Legs

Cold Tank is 66"L x 24"W x 18"D and is seamless welded construction, fabricated from heavy gauge, type 304 stainless steel, polished to a satin finish. Cold Tank rim is reinforced with a concealed stainless steel rod. Cold Tank bottom is seamless, coved (rounded) design for effective cleaning. Cold Tank is fitted with adjustable stainless steel legs and a gravity drain valve.

GUIDE SPECIFICATIONS

Provide Whitehall Stationary Cold Tank (specify model number and options) with a 105-gallon capacity, 66"L x 24"W x 18"D. Cold Tank shall be fabricated from heavy gauge, type 304 stainless steel. Construction shall be seamless welded and exposed surfaces shall be polished to satin finish. Bottom of Cold Tank shall be a seamless, rounded coved design. Cold Tank is fitted with adjustable stainless steel legs and a gravity drain valve.

Please visit www.whitehallmfg.com
for most current specifications.



Whitehall Mfg. • P.O. Box 3527 • City of Industry, CA 91744 • (800) 591-9280 • (626) 968-6681

105-L-SL-TO

REV: 12/18/2024



MODEL NUMBER AND OPTION SELECTIONS

Capacity

-105 Gallons

Series

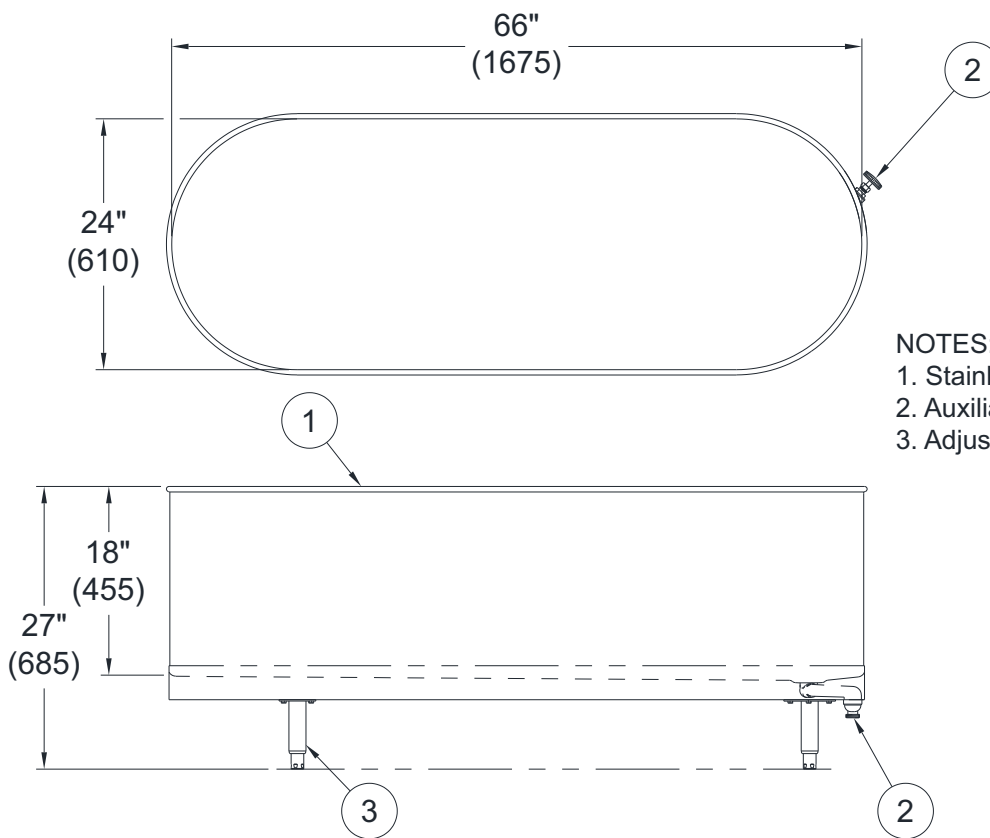
L Lo-Boy Series

Type

-SL Stationary Cold Tank with Legs

Suffix Options (See Cold Tank Options Section for Details)

- EG Enviro-Glaze® Color Powder Coating -
Specify Color: _____
<https://www.whitehallmfg.com/enviro-glaze>
- HR Head Rest, Adjustable
- LOGO Applied Logos: Team, Facility, Company Logo
- RS Reclining Seat
- TTS2 Tank Top Seat
- SDP Separate Drain Pump Assembly



NOTES:

1. Stainless Steel Cold Tank
2. Auxiliary Drain Valve
3. Adjustable Stainless Steel Legs

STATIONARY 105-L-SL-TO SERIES COLD TANK

⚠ WARNING: Cancer and Reproductive Harm - www.P65Warnings.ca.gov

All dimensions are nominal and subject to manufacturer's change without notice. Whitehall assumes no responsibility for use of void or superseded data © Whitehall Manufacturing, Member of Morris Group International. Please visit www.whitehallmfg.com for most current specifications.

SELECTION SUMMARY & APPROVAL FOR MANUFACTURING

Model Number & Options _____ Quantity _____
 Company _____ Date _____
 Contact _____ Title _____
 Approval for Manufacturing/Signature _____