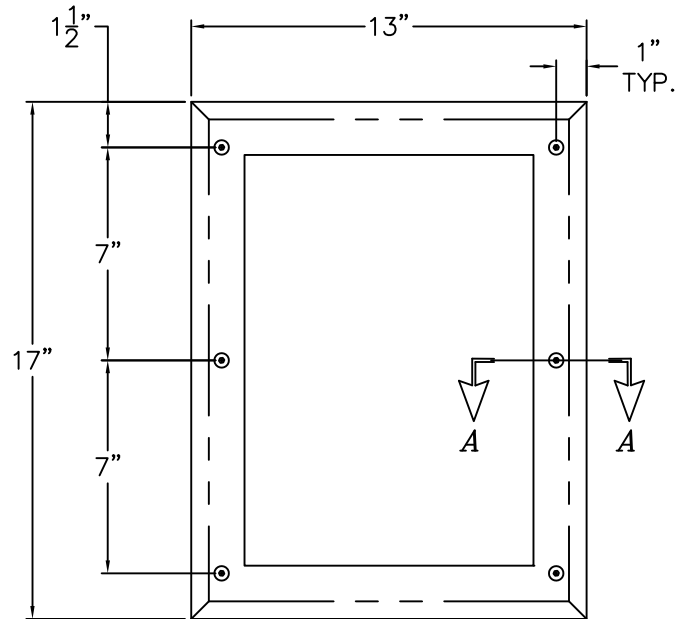
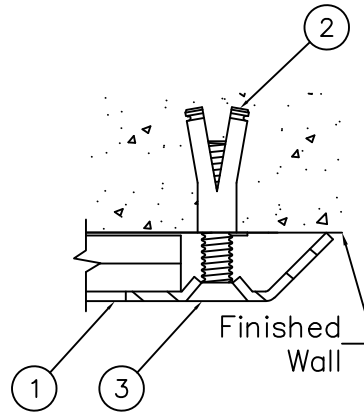


MODEL #WH1817-A

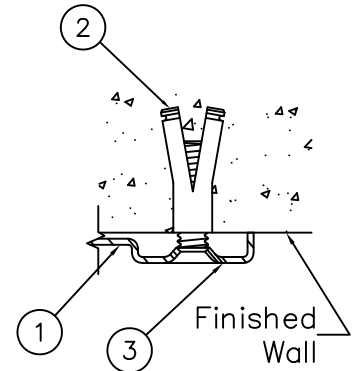


MODEL #WH1811-SLPT

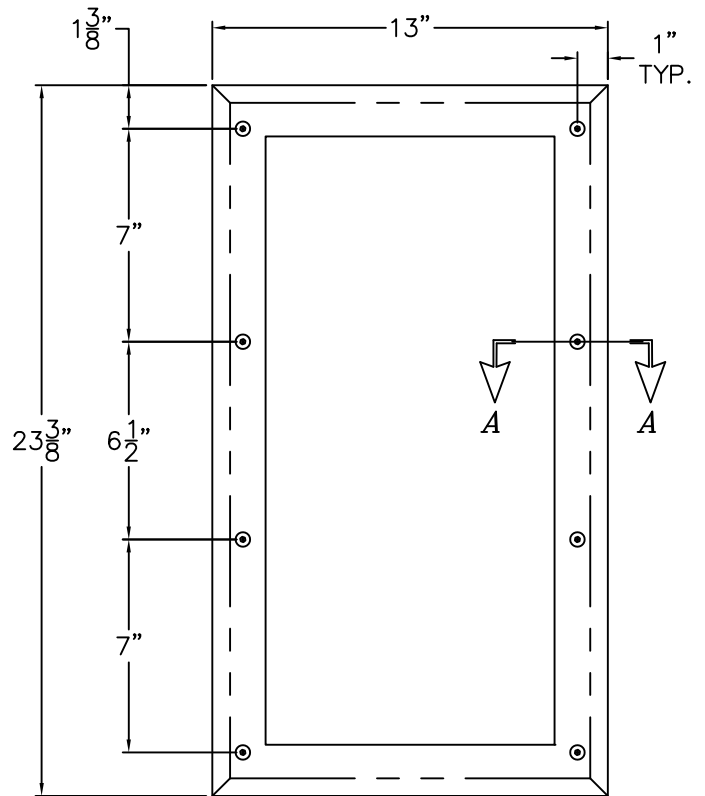
REFERENCE DRAWING	
FASTENERS	9951-005-W01



SECTION A-A



SECTION B-B



MODEL #WH1813-SLPT

INSTALLATION INSTRUCTIONS:

A- USE PUNCHED MOUNTING HOLES ON MIRROR (1) AS A TEMPLATE FOR MARKING THE LOCATIONS FOR THE INSTALLER PROVIDED WALL ANCHORS (2) ON THE WALL FOR PROVIDED 1/4"-20 x 1-1/2" LONG SCREWS (3).

B- INSTALL WALL ANCHORS (2) (BY OTHERS).

C- FASTEN MIRROR (1) TO WALL USING 1/4"-20 x 1-1/2" LONG FLATHEAD CENTER REJECT SCREWS (3), PROVIDED.



WHITEHALL MANUFACTURING
P.O. BOX 3527 Industry, CA 91744
15125 Proctor Ave Industry, CA 91746
(626) 968-6681 FAX (626) 855-4862

TITLE **FRONT MTD LIGATURE RESISTANT MIRRORS WH1811-SLPT, WH1813-SLPT & WH1817-A**

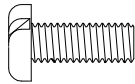
MANUFACTURE DATE
OCTOBER 2012
TO PRESENT

DATE ISSUED
10/04/12
DATE REVISED
04/03/18 C

DRAWING NUMBER
9918-101-001

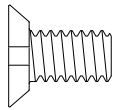
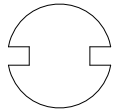


OBSOLETE



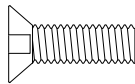
0111-002-000	#10-32 x 1/2" UNF
0111-003-000	1/4"-20 x 1" UNC
0111-004-000	1/4"-20 x 2" UNC
0111-005-000	1/4"-20 x 3" UNC
0111-006-000	1/4"-20 x 4" UNC
0111-007-000	1/4"-20 x 1/2" UNC
0111-056-000	#10-32 x 5/16" UNF
PART NUMBER	DESCRIPTION

OBSOLETE
REPLACED BY
0112- SERIES



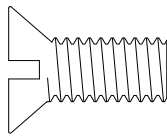
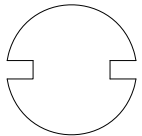
0156-001-199	1/4"-20 x 1" UNC
0156-002-199	1/4"-20 x 2" UNC
0156-003-199	1/4"-20 x 3" UNC
0156-003-299	1/4"-20 x 2 1/4" UNC
0156-010-199	1/4"-20 x 4" UNC
0156-011-199	1/4"-20 x 1/2" UNC
0156-013-199	1/4"-20 x 7/16" UNC
0156-014-199	1/4"-20 x 1 1/2" UNC
PART NUMBER	DESCRIPTION

OBSOLETE
REPLACED BY
0152- SERIES



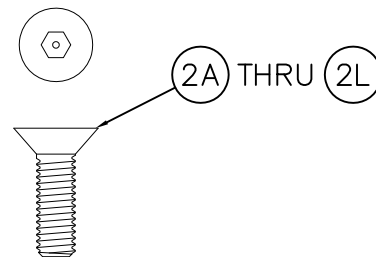
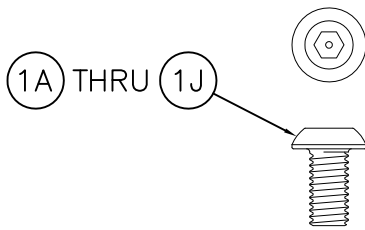
0156-007-199	#10-32 x 3/8" UNF
0156-008-199	#10-32 x 1/2" UNF
0156-009-199	#10-32 x 2" UNF
0156-012-199	#10-32 x 1/4" UNF
0156-015-199	#10-32 x 3" UNF
PART NUMBER	DESCRIPTION

OBSOLETE
REPLACED BY
0152- SERIES



0156-004-199	5/16"-18 x 1" UNC
0156-005-199	5/16"-18 x 2" UNC
0156-005-199	5/16"-18 x 3" UNC
PART NUMBER	DESCRIPTION

OBSOLETE
REPLACED BY
0152- SERIES



1A	0112-001-000	#10-32 x 3/8" UNF HEX w/CENTER REJECT	2C	0152-004-000	#8-32 UNC x 3/8" HEX w/CENTER REJECT
1B	0112-002-000	#10-32 x 1/2" UNF HEX w/CENTER REJECT	2D	0152-005-000	1/4"-20 UNC x 1/2" HEX w/CENTER RJCT
1C	0112-003-000	1/4"-20 x 1" UNC HEX w/CENTER REJECT	2E	0152-006-000	#10-32 UNF x 3/4" HEX w/CENTER REJECT
1D	0112-004-000	1/4"-20 x 2" UNC HEX w/CENTER REJECT	2F	0152-007-000	#10-32 UNF x 2" HEX w/CENTER REJECT
1E	0112-005-000	1/4"-20 x 3" UNC HEX w/CENTER REJECT	2G	0152-008-000	#10-32 UNF x 1-3/4" HEX w/CENTER RJCT
1F	0112-006-000	1/4"-20 x 4" UNC HEX w/CENTER REJECT	2H	0152-009-000	#8-32 UNC x 1/2" HEX w/CENTER REJECT
1G	0112-007-000	1/4"-20 x 1/2" UNC HEX w/CENTER RJCT	2I	0152-010-000	#10-32 UNF x 1" HEX w/CENTER REJECT
1H	0112-008-000	#10-32 x 1" UNF HEX w/CENTER REJECT	2J	0152-502-000	1/4"-20 UNC x 1" HEX w/CENTER REJECT
1I	0112-009-000	#8-32 x 3/8" UNF HEX w/CENTER REJECT	2K	0152-022-000	1/4"-20 UNC x 1-1/2" HEX w/CNTR RJCT
1J	0112-056-000	#10-32 x 5/16" UNF HEX w/CENTER RJCT	2L	0152-025-000	1/4"-20 UNC x 3" HEX w/CENTER REJECT
2A	0152-002-000	#10-32 UNF x 1/2" HEX w/CENTER REJECT			
2B	0152-003-000	#10-32 UNF x 1-1/2" HEX w/CENTER RJCT			
ITEM	PART NUMBER	DESCRIPTION	ITEM	PART NUMBER	DESCRIPTION



WHITEHALL MANUFACTURING
P.O. BOX 3527 Industry, CA 91744
15125 Proctor Ave Industry, CA 91746
(626) 968-6681 FAX (626) 855-4862

TITLE **STAINLESS STEEL SECURITY SCREWS**

MANUFACTURE DATE

AUG 1969
TO PRESENT

DATE ISSUED

12/01/89

DATE REVISED

03/07/02

DRAWING NUMBER

9951-005-0W1