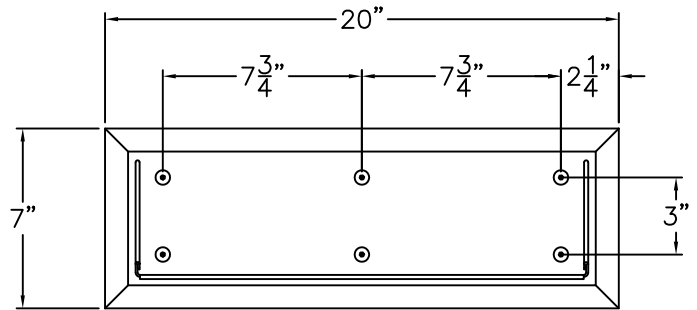
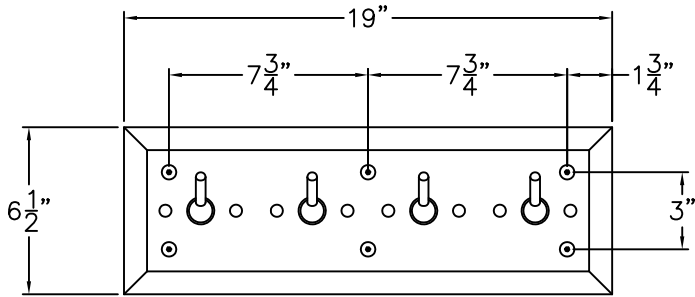


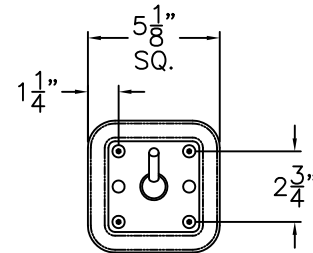
**Model #1824**



**Model #1826**



**Model #1828**

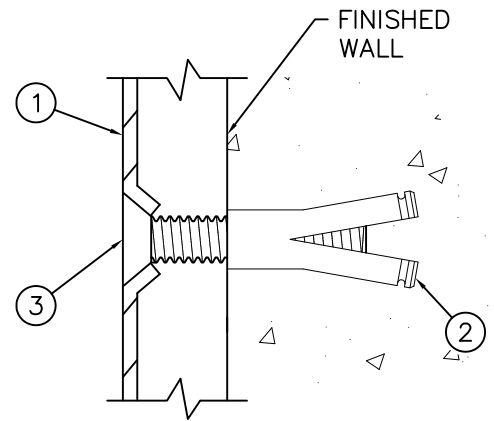


**Model #1830**

| <b>REFERENCE DRAWING</b> |              |
|--------------------------|--------------|
| FASTENERS                | 9951-005-W01 |

**INSTALLATION INSTRUCTIONS:**

- A- USE PUNCHED MOUNTING HOLES IN FIXTURE (1) AS A TEMPLATE FOR MARKING THE LOCATIONS FOR THE WALL ANCHORS (2) (BY OTHERS) ON THE WALL.
- B- INSTALL WALL ANCHORS (2) (BY OTHERS).
- C- FASTEN FIXTURE (1) TO WALL USING SCREWS (3) PROVIDED.



**MOUNTING DETAIL**



WHITEHALL MANUFACTURING  
 P.O. BOX 3527 Industry, CA 91744  
 15125 Proctor Ave Industry, CA 91746  
 (626) 968-6681 FAX (626) 855-4862

TITLE **FRONT MOUNTED LIGATURE RESISTANT ACC. #1824-SLPT,#1826-SLPT,#1828-SLPT,#1830-SLPT**

|  |                                   |                                       |
|--|-----------------------------------|---------------------------------------|
| MANUFACTURE DATE<br><b>OCTOBER 2012<br/>TO PRESENT</b> | DATE ISSUED<br><b>10/04/12</b>    | DRAWING NUMBER<br><b>9918-108-001</b> |
|  | DATE REVISED<br><b>10/23/13 A</b> |                                       |



# OBSOLETE

|             |  |              |                    |   |
|-------------|--|--------------|--------------------|---|
|             |  | 0111-002-000 | #10-32 x 1/2" UNF  | OBSOLETE<br>REPLACED BY<br>0112- SERIES |
|             |  | 0111-003-000 | 1/4"-20 x 1" UNC   |   |
|             |  | 0111-004-000 | 1/4"-20 x 2" UNC   |   |
|             |  | 0111-005-000 | 1/4"-20 x 3" UNC   |   |
|             |  | 0111-006-000 | 1/4"-20 x 4" UNC   |   |
|             |  | 0111-007-000 | 1/4"-20 x 1/2" UNC |   |
|             |  | 0111-056-000 | #10-32 x 5/16" UNF |   |
| PART NUMBER |  | DESCRIPTION  |                    |   |

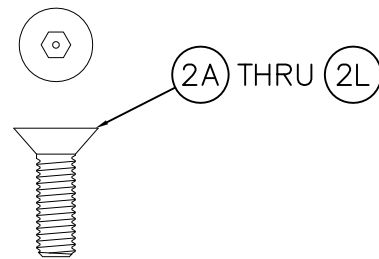
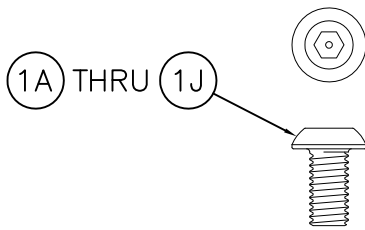
|              |                      |              |                      |   |
|--------------|----------------------|--------------|----------------------|---|
|              |                      | 0156-001-199 | 1/4"-20 x 1" UNC     | OBSOLETE<br>REPLACED BY<br>0152- SERIES |
|              |                      | 0156-002-199 | 1/4"-20 x 2" UNC     |   |
|              |                      | 0156-003-199 | 1/4"-20 x 3" UNC     |   |
|              |                      | 0156-003-299 | 1/4"-20 x 2 1/4" UNC |   |
|              |                      | 0156-010-199 | 1/4"-20 x 4" UNC     |   |
|              |                      | 0156-011-199 | 1/4"-20 x 1/2" UNC   |   |
|              |                      | 0156-013-199 | 1/4"-20 x 7/16" UNC  |   |
| 0156-014-199 | 1/4"-20 x 1 1/2" UNC |              |                      |   |
| PART NUMBER  |                      | DESCRIPTION  |                      |   |

|             |  |              |                   |   |
|-------------|--|--------------|-------------------|---|
|             |  | 0156-007-199 | #10-32 x 3/8" UNF | OBSOLETE<br>REPLACED BY<br>0152- SERIES |
|             |  | 0156-008-199 | #10-32 x 1/2" UNF |   |
|             |  | 0156-009-199 | #10-32 x 2" UNF   |   |
|             |  | 0156-012-199 | #10-32 x 1/4" UNF |   |
|             |  | 0156-015-199 | #10-32 x 3" UNF   |   |
| PART NUMBER |  | DESCRIPTION  |                   |   |

|             |  |              |                   |   |
|-------------|--|--------------|-------------------|---|
|             |  | 0156-004-199 | 5/16"-18 x 1" UNC | OBSOLETE<br>REPLACED BY<br>0152- SERIES |
|             |  | 0156-005-199 | 5/16"-18 x 2" UNC |   |
|             |  | 0156-005-199 | 5/16"-18 x 3" UNC |   |
| PART NUMBER |  | DESCRIPTION  |                   |   |



|      |              |                                       |      |              |                                       |
|------|--------------|---------------------------------------|------|--------------|---------------------------------------|
| 1A   | 0112-001-000 | #10-32 x 3/8" UNF HEX w/CENTER REJECT | 2C   | 0152-004-000 | #8-32 UNC x 3/8" HEX w/CENTER REJECT  |
| 1B   | 0112-002-000 | #10-32 x 1/2" UNF HEX w/CENTER REJECT | 2D   | 0152-005-000 | 1/4"-20 UNC x 1/2" HEX w/CENTER RJCT  |
| 1C   | 0112-003-000 | 1/4"-20 x 1" UNC HEX w/CENTER REJECT  | 2E   | 0152-006-000 | #10-32 UNF x 3/4" HEX w/CENTER REJECT |
| 1D   | 0112-004-000 | 1/4"-20 x 2" UNC HEX w/CENTER REJECT  | 2F   | 0152-007-000 | #10-32 UNF x 2" HEX w/CENTER REJECT   |
| 1E   | 0112-005-000 | 1/4"-20 x 3" UNC HEX w/CENTER REJECT  | 2G   | 0152-008-000 | #10-32 UNF x 1-3/4" HEX w/CENTER RJCT |
| 1F   | 0112-006-000 | 1/4"-20 x 4" UNC HEX w/CENTER REJECT  | 2H   | 0152-009-000 | #8-32 UNC x 1/2" HEX w/CENTER REJECT  |
| 1G   | 0112-007-000 | 1/4"-20 x 1/2" UNC HEX w/CENTER RJCT  | 2I   | 0152-010-000 | #10-32 UNF x 1" HEX w/CENTER REJECT   |
| 1H   | 0112-008-000 | #10-32 x 1" UNF HEX w/CENTER REJECT   | 2J   | 0152-502-000 | 1/4"-20 UNC x 1" HEX w/CENTER REJECT  |
| 1I   | 0112-009-000 | #8-32 x 3/8" UNF HEX w/CENTER REJECT  | 2K   | 0152-022-000 | 1/4"-20 UNC x 1-1/2" HEX w/CNTR RJCT  |
| 1J   | 0112-056-000 | #10-32 x 5/16" UNF HEX w/CENTER RJCT  | 2L   | 0152-025-000 | 1/4"-20 UNC x 3" HEX w/CENTER REJECT  |
| 2A   | 0152-002-000 | #10-32 UNF x 1/2" HEX w/CENTER REJECT |      |              |                                       |
| 2B   | 0152-003-000 | #10-32 UNF x 1-1/2" HEX w/CENTER RJCT |      |              |                                       |
| ITEM | PART NUMBER  | DESCRIPTION                           | ITEM | PART NUMBER  | DESCRIPTION                           |



WHITEHALL MANUFACTURING  
 P.O. BOX 3527 Industry, CA 91744  
 15125 Proctor Ave Industry, CA 91746  
 (626) 968-6681 FAX (626) 855-4862

TITLE **STAINLESS STEEL SECURITY SCREWS**

MANUFACTURE DATE

**AUG 1969**  
**TO PRESENT**

DATE ISSUED

**12/01/89**

DATE REVISED

**03/07/02**

DRAWING NUMBER

**9951-005-0W1**