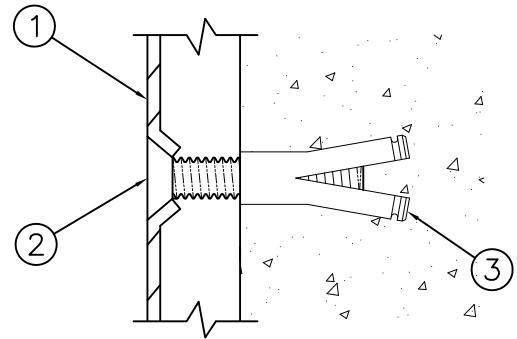


REFERENCE DRAWING

Fasteners	9951-005-W01
-----------	--------------



MOUNTING DETAIL

- ① Paper Holder Plate
- ② 1/4"-20 UNC x 1" Vandal Resistant Screws
- ③ Appropriate Wall Anchors (Provided by Others).

INSTALLATION INSTRUCTIONS:

- A- Installation Requires A Rough Wall Opening Approximately 8-1/2" x 5-1/2" and 4" Deep To Accommodate Paper Holder.
- B- Using Paper Holder As A Template Locate Mounting Points.
- C- Drill Holes For Wall Anchors (By Others). Install Anchors.
- D- Secure Paper Holder To Wall Using 1/4"-20 UNC Vandal Resistant Screws (Provided).



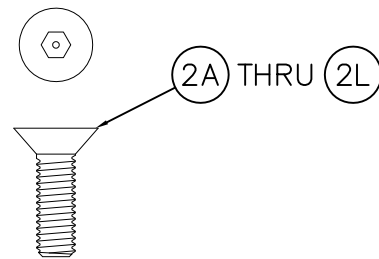
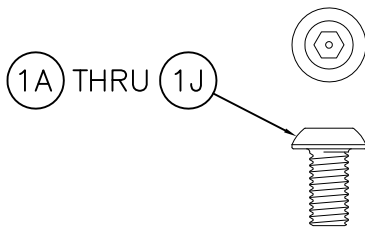
WHITEHALL MANUFACTURING
 P.O. BOX 3527 Industry, CA 91744
 15125 Proctor Ave Industry, CA 91746
 (626) 968-6681 FAX (626) 855-4862

TITLE LIGATURE RESISTANT FRONT MOUNTED AUTO-RELEASE PAPER HOLDER, #1845FA		
MANUFACTURE DATE OCTOBER 2012 TO PRESENT	DATE ISSUED 10/09/12	DRAWING NUMBER 9918-116-001
	DATE REVISED 10/23/13 A	



OBSOLETE

	0111-002-000	#10-32 x 1/2" UNF	OBSOLETE REPLACED BY 0112- SERIES
	0111-003-000	1/4"-20 x 1" UNC	
	0111-004-000	1/4"-20 x 2" UNC	
	0111-005-000	1/4"-20 x 3" UNC	
	0111-006-000	1/4"-20 x 4" UNC	
	0111-007-000	1/4"-20 x 1/2" UNC	
	0111-056-000	#10-32 x 5/16" UNF	
PART NUMBER		DESCRIPTION	
	0156-001-199	1/4"-20 x 1" UNC	OBSOLETE REPLACED BY 0152- SERIES
	0156-002-199	1/4"-20 x 2" UNC	
	0156-003-199	1/4"-20 x 3" UNC	
	0156-003-299	1/4"-20 x 2 1/4" UNC	
	0156-010-199	1/4"-20 x 4" UNC	
	0156-011-199	1/4"-20 x 1/2" UNC	
	0156-013-199	1/4"-20 x 7/16" UNC	
	0156-014-199	1/4"-20 x 1 1/2" UNC	
PART NUMBER		DESCRIPTION	
	0156-007-199	#10-32 x 3/8" UNF	OBSOLETE REPLACED BY 0152- SERIES
	0156-008-199	#10-32 x 1/2" UNF	
	0156-009-199	#10-32 x 2" UNF	
	0156-012-199	#10-32 x 1/4" UNF	
	0156-015-199	#10-32 x 3" UNF	
PART NUMBER		DESCRIPTION	
	0156-004-199	5/16"-18 x 1" UNC	OBSOLETE REPLACED BY 0152- SERIES
	0156-005-199	5/16"-18 x 2" UNC	
	0156-005-199	5/16"-18 x 3" UNC	
PART NUMBER		DESCRIPTION	



1A	0112-001-000	#10-32 x 3/8" UNF HEX w/CENTER REJECT	2C	0152-004-000	#8-32 UNC x 3/8" HEX w/CENTER REJECT
1B	0112-002-000	#10-32 x 1/2" UNF HEX w/CENTER REJECT	2D	0152-005-000	1/4"-20 UNC x 1/2" HEX w/CENTER RJCT
1C	0112-003-000	1/4"-20 x 1" UNC HEX w/CENTER REJECT	2E	0152-006-000	#10-32 UNF x 3/4" HEX w/CENTER REJECT
1D	0112-004-000	1/4"-20 x 2" UNC HEX w/CENTER REJECT	2F	0152-007-000	#10-32 UNF x 2" HEX w/CENTER REJECT
1E	0112-005-000	1/4"-20 x 3" UNC HEX w/CENTER REJECT	2G	0152-008-000	#10-32 UNF x 1-3/4" HEX w/CENTER RJCT
1F	0112-006-000	1/4"-20 x 4" UNC HEX w/CENTER REJECT	2H	0152-009-000	#8-32 UNC x 1/2" HEX w/CENTER REJECT
1G	0112-007-000	1/4"-20 x 1/2" UNC HEX w/CENTER RJCT	2I	0152-010-000	#10-32 UNF x 1" HEX w/CENTER REJECT
1H	0112-008-000	#10-32 x 1" UNF HEX w/CENTER REJECT	2J	0152-502-000	1/4"-20 UNC x 1" HEX w/CENTER REJECT
1I	0112-009-000	#8-32 x 3/8" UNF HEX w/CENTER REJECT	2K	0152-022-000	1/4"-20 UNC x 1-1/2" HEX w/CNTR RJCT
1J	0112-056-000	#10-32 x 5/16" UNF HEX w/CENTER RJCT	2L	0152-025-000	1/4"-20 UNC x 3" HEX w/CENTER REJECT
2A	0152-002-000	#10-32 UNF x 1/2" HEX w/CENTER REJECT			
2B	0152-003-000	#10-32 UNF x 1-1/2" HEX w/CENTER RJCT			
ITEM	PART NUMBER	DESCRIPTION	ITEM	PART NUMBER	DESCRIPTION



TITLE STAINLESS STEEL SECURITY SCREWS		
MANUFACTURE DATE AUG 1969 TO PRESENT	DATE ISSUED 12/01/89	DRAWING NUMBER 9951-005-0W1
	DATE REVISED 03/07/02	