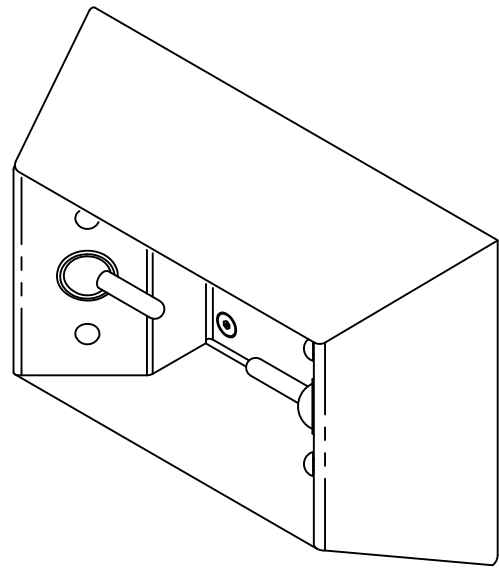



REFERENCE DRAWING	
Fasteners	9951-005-001



INSTALLATION INSTRUCTIONS:

- A- Using Paper Holder As A Template Locate Mounting Points.
- B- Drill Holes For Wall Anchors (By Others). Install Anchors.
- C- Secure Paper Holder To Wall Using 1/4"-20 UNC Vandal Resistant Screws (Provided).

 WHITEHALL MANUFACTURING P.O. BOX 3527 Industry, CA 91744 15125 Proctor Ave Industry, CA 91746 (626) 968-6681 FAX (626) 855-4862	TITLE LIGATURE RESISTANT SURFACE MOUNT AUTO-RELEASE PAPER HOLDER *WH1847		
	MANUFACTURE DATE DECEMBER 2014 TO PRESENT	DATE ISSUED 12/01/14	DRAWING NUMBER 9918-126-001
		DATE REVISED	