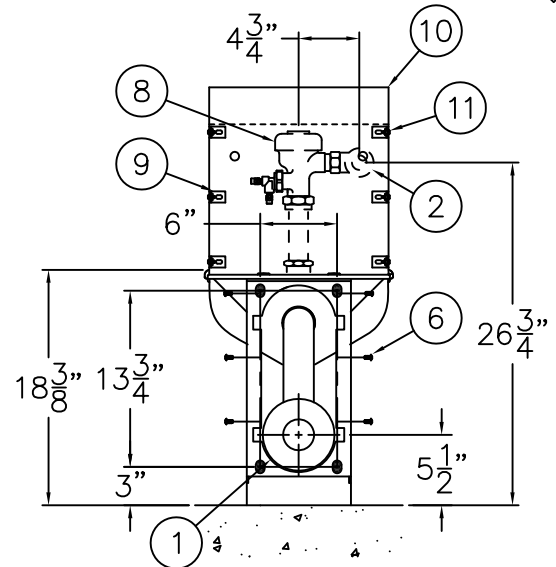
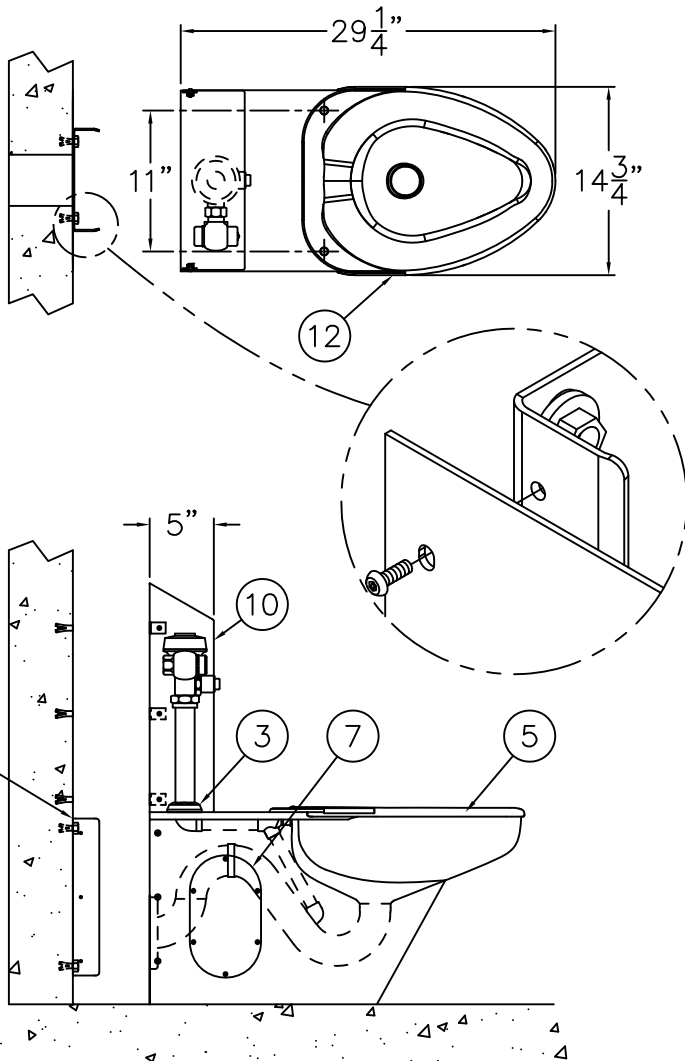
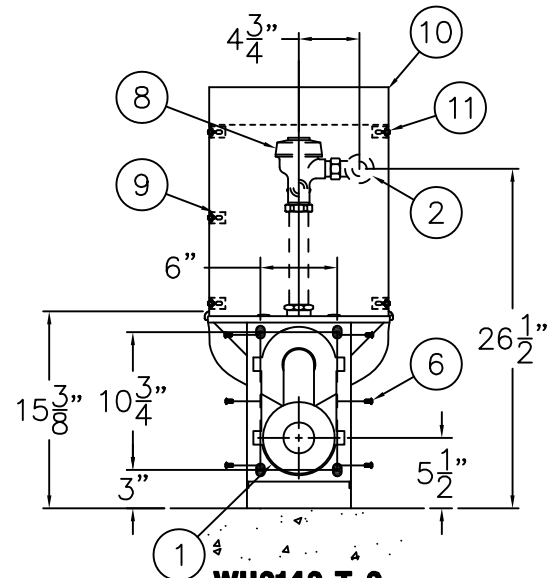




**NOTE: USE ONLY APPROPRIATE UPC/CUPC CERTIFIED FLUSH VALVE FOR THE INSTALLATION OF THIS TOILET.**



**WH2142-ADA-T-2  
REAR VIEW**



**WH2142-T-2  
REAR VIEW**

**INSTALLATION INSTRUCTIONS:**

- A- ROUGH-IN FOR THE FOLLOWING:
  - 5-1/2" RECESSED GASKET FLANGE (1).
  - FLUSH VALVE INLET 1" NPT (2).
  - FIXTURE FLUSHING INLET 1-1/2" NPT (3).
- B- POSITION MOUNTING CHANNEL (4) ONTO FIXTURE SIDE OF REINFORCED WALL LOCATING AS INDICATED. WALL ANCHORS AND FASTENERS ARE BY OTHERS.
- C- PLACE TOILET (5) UP AGAINST WALL. ATTACH TOILET HOUSING TO MOUNTING TEMPLATE (4) USING 1/4-20 SCREWS (6).
- D- REMOVE ACCESS PANELS (7) AND MAKE UP TOILET WASTE CONNECTION.
- E- INSTALL FLUSH VALVE (8) TO FIXTURE AS REQUIRED PER MANUFACTURER'S RECOMMENDATIONS.

**NOTE:** FOR -ADA UNITS REFER TO ADA ACCESSIBILITY GUIDELINES FOR COMPLETE INSTALLATION REQUIREMENTS. FLUSH VALVE MUST BE HYDRAULICALLY ACTUATED. ADA CONTROLS MUST BE LOCATED ON THE WIDE SIDE OF TOILET.

- F- INSTALL WALL ANCHORS (BY OTHERS) AND ATTACH MOUNTING CLIPS (9) TO WALL USING MOUNTING SCREWS (BY OTHERS)
- G- ATTACH FLUSH VALVE COVER (10) TO MOUNTING CLIPS (9) USING #10-32 SCREWS (11) PROVIDED.
- H- LIGATURE RESISTANT TOILET SEAT COVER (12).

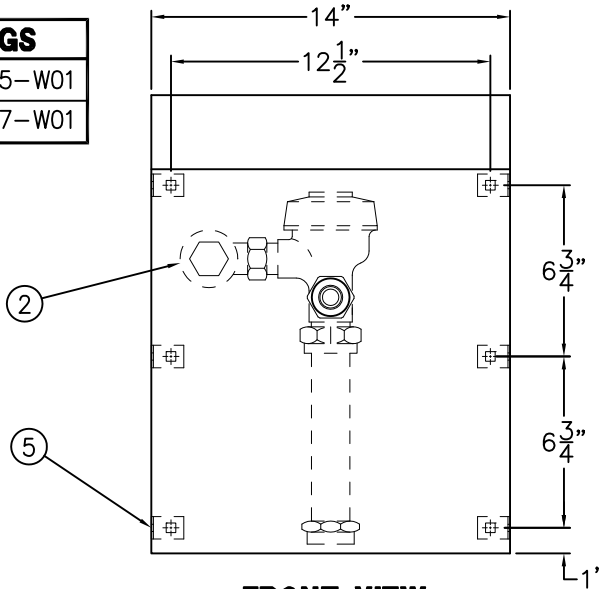


WHITEHALL MANUFACTURING  
P.O. BOX 3527 Industry, CA 91744  
15125 Proctor Ave Industry, CA 91746  
(626) 968-6681 FAX (626) 855-4862

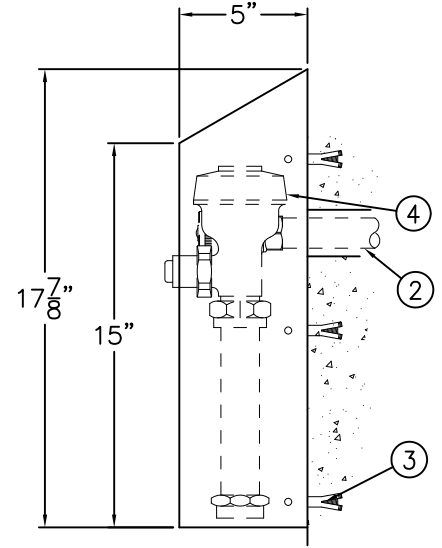
TITLE <b>LIGATURE RESISTANT TOILETS *WH2142-T-2</b>		
MANUFACTURE DATE	DATE ISSUED	DRAWING NUMBER
<b>OCTOBER 2012 TO PRESENT</b>	<b>11/16/12</b>	<b>9918-001-001</b>
	DATE REVISED <b>09/27/17 G</b>	



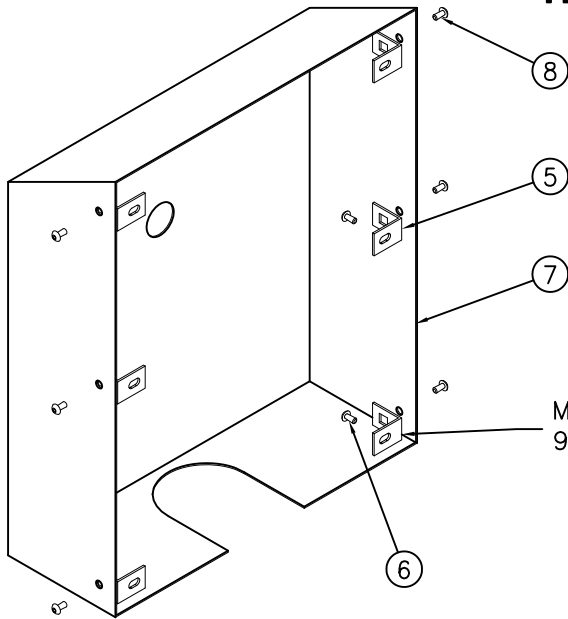
REFERENCE DRAWINGS	
SECURITY SCREWS	9951-005-W01
TINNERMAN NUTS	9951-007-W01



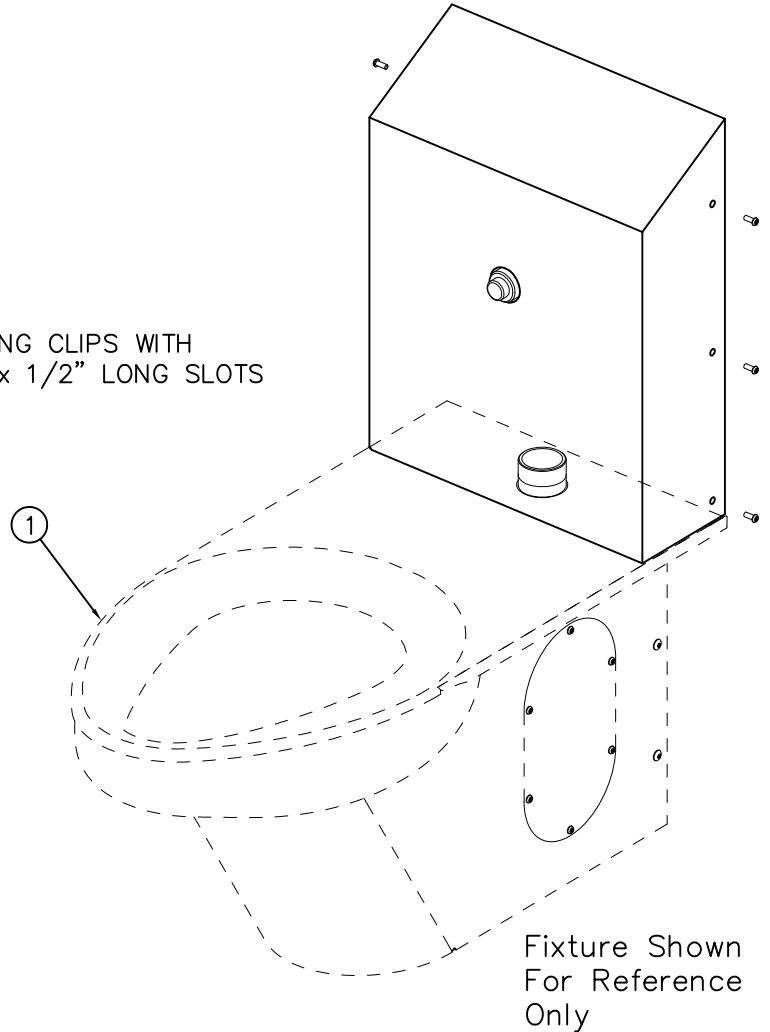
**FRONT VIEW**



**SIDE VIEW**



MOUNTING CLIPS WITH  
9/32" x 1/2" LONG SLOTS



**INSTALLATION INSTRUCTIONS:**

- A- MOUNT FIXTURE ① TO WALL.
- B- ROUGH-IN FOR FLUSH VALVE SUPPLY ② REFER TO FIXTURE INSTALLATION INSTRUCTIONS.
- C- LOCATE AND INSTALL WALL ANCHORS (BY OTHERS) ③.
- D- INSTALL FLUSH VALVE ④ TO FIXTURE ①.
- E- ATTACH MOUNTING CLIPS ⑤ TO WALL USING MOUNTING SCREWS ⑥ (BY OTHERS).
- F- ATTACH FLUSH VALVE COVER ⑦ TO MOUNTING CLIPS ⑤ USING #10-32 SCREWS ⑧ PROVIDED.

WHITEHALL MANUFACTURING P.O. BOX 3527 Industry, CA 91744 15125 Proctor Ave Industry, CA 91746 (626) 968-6681 FAX (626) 855-4862	<b>TITLE SLOPING TOP LIGATURE RESISTANT FLUSH VALVE COVER WITH FLUSH VALVE (TOILET) #2802SLPT</b>		
	MANUFACTURE DATE <b>OCTOBER 2012</b> <b>TO PRESENT</b>	DATE ISSUED <b>04/15/13</b> DATE REVISED <b>10/23/13 A</b>	DRAWING NUMBER <b>9918-015-001</b>