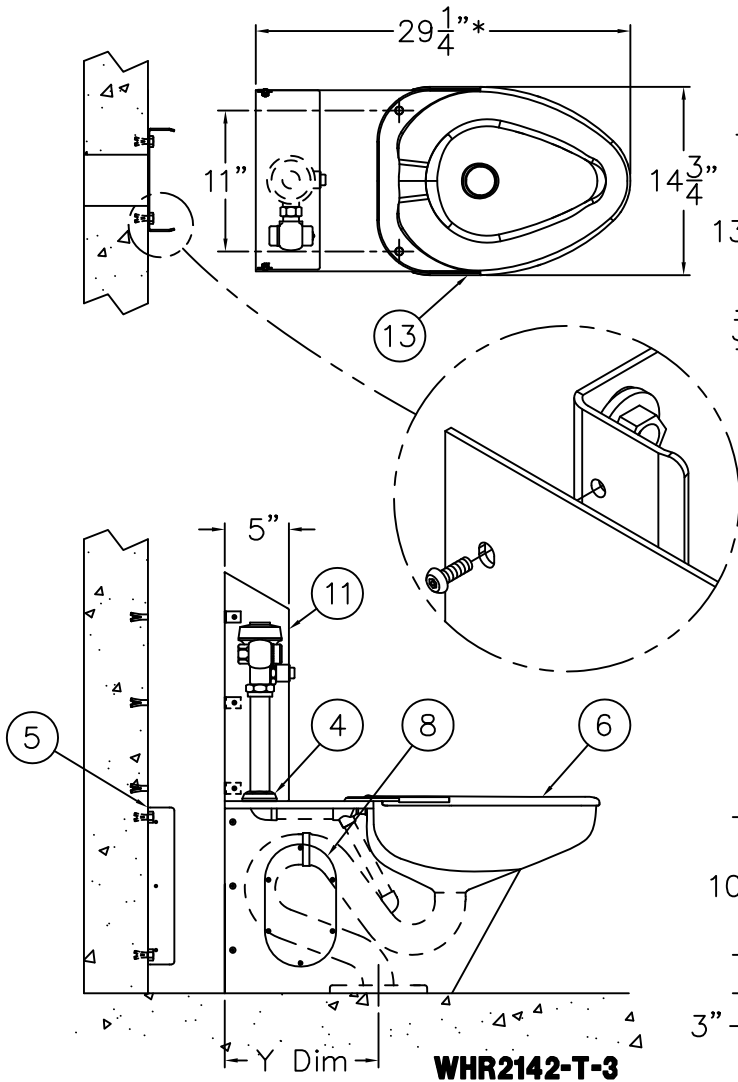


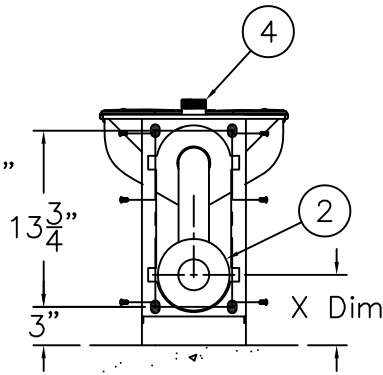


* OVERALL LENGTH INCREASES ACCORDINGLY WHEN "Y" DIMENSION IS MORE THAN 12"

NOTE: USE ONLY APPROPRIATE UPC/CUPC CERTIFIED FLUSH VALVE FOR THE INSTALLATION OF THIS TOILET.

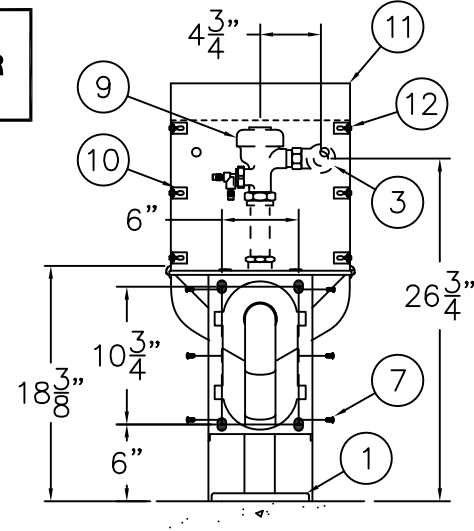


WHR2142-T-3

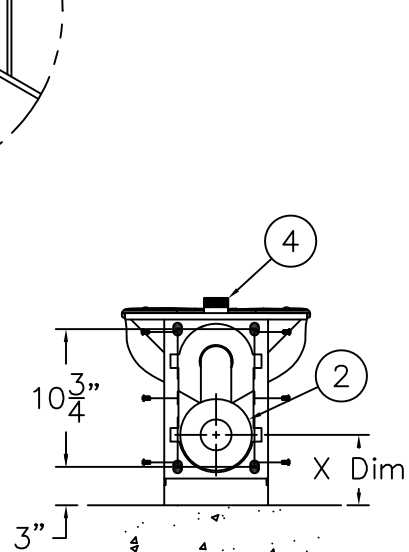


WHR2142-ADA-T-2

REAR VIEW

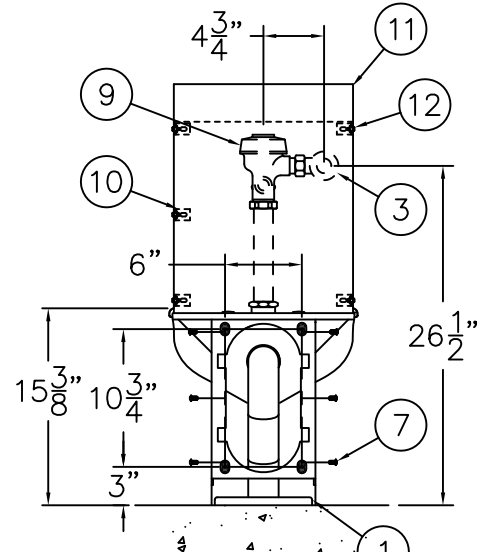


WHR2142-ADA-T-3



WHR2142-T-2

REAR VIEW



WHR2142-T-3

INSTALLATION INSTRUCTIONS:

- A- ROUGH-IN FOR THE FOLLOWING:
 - 7-1/2" RECESSED GASKET FLANGE (1).
 - 5-1/2" RECESSED GASKET FLANGE (2).
 - FLUSH VALVE INLET 1" NPT (3).
 - FIXTURE FLUSHING INLET 1-1/2" NPT (4).
- B- POSITION MOUNTING TEMPLATE (5) ONTO FIXTURE SIDE OF REINFORCED WALL LOCATING AS INDICATED. WALL ANCHORS AND FASTENERS ARE BY OTHERS.
- C- PLACE TOILET (6) UP AGAINST WALL. ATTACH TOILET HOUSING TO MOUNTING TEMPLATE (5) USING 1/4"-20 SCREWS (7).
- D- REMOVE ACCESS PANELS (8) AND MAKE UP TOILET WASTE CONNECTION.

- E- INSTALL FLUSH VALVE (9) TO FIXTURE AS REQUIRED PER MANUFACTURER'S RECOMMENDATIONS.

NOTE: FOR -ADA UNITS REFER TO ADA ACCESSIBILITY GUIDELINES FOR COMPLETE INSTALLATION REQUIREMENTS. FLUSH VALVE MUST BE HYDRAULICALLY ACTUATED. ADA CONTROLS MUST BE LOCATED ON THE WIDE SIDE OF TOILET.

- F- INSTALL WALL ANCHORS (BY OTHERS) AND ATTACH MOUNTING CLIPS (10) TO WALL USING MOUNTING SCREWS (BY OTHERS)
- G- ATTACH FLUSH VALVE COVER (11) TO MOUNTING CLIPS (10) USING #10-32 SCREWS (12) PROVIDED.
- F- LIGATURE RESISTANT TOILET SEAT COVER (13).



WHITEHALL MANUFACTURING
P.O. BOX 3527 Industry, CA 91744
15125 Proctor Ave Industry, CA 91746
(626) 968-6681 FAX (626) 855-4862

TITLE **LIGATURE RESISTANT REPLACEMENT TOILETS *WHR2142(ADA)-T-2/3**

MANUFACTURE DATE

**JULY 2015
TO PRESENT**

DATE ISSUED

07/17/15

DATE REVISED

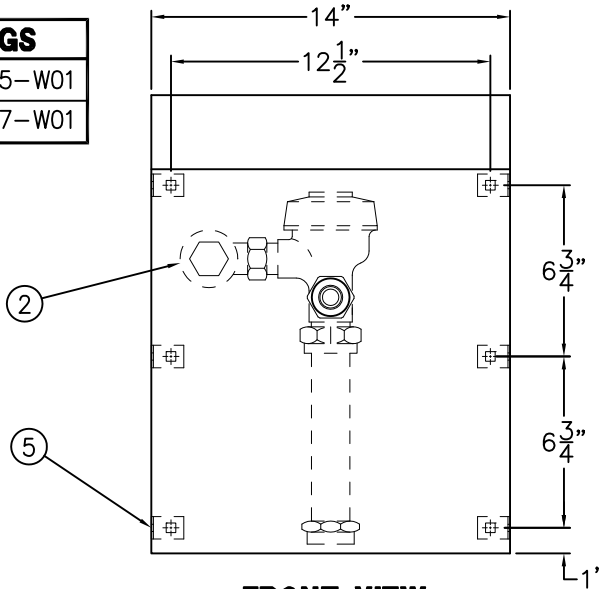
09/27/17 C

DRAWING NUMBER

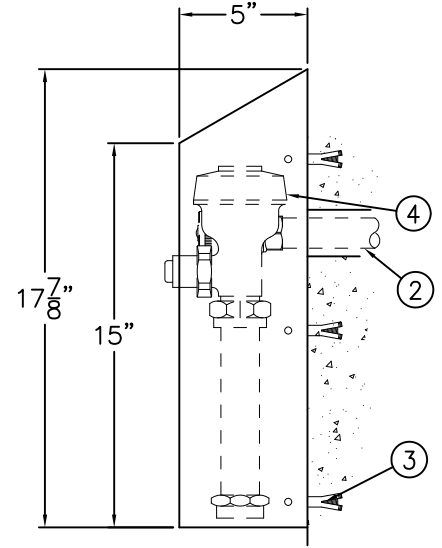
9918-010-001



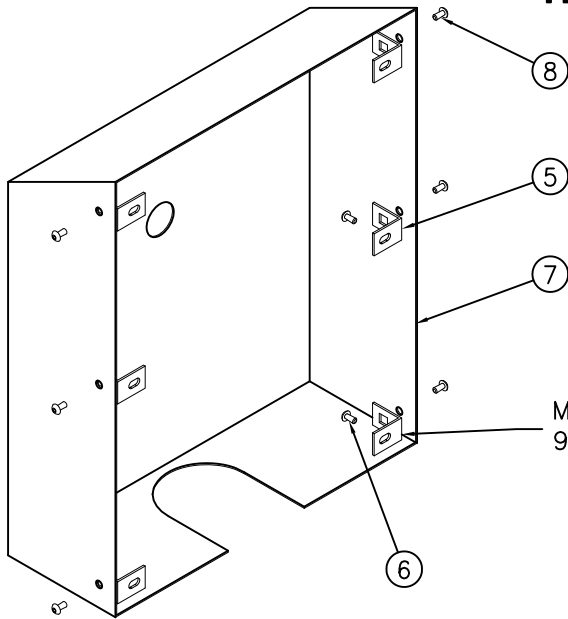
REFERENCE DRAWINGS	
SECURITY SCREWS	9951-005-W01
TINNERMAN NUTS	9951-007-W01



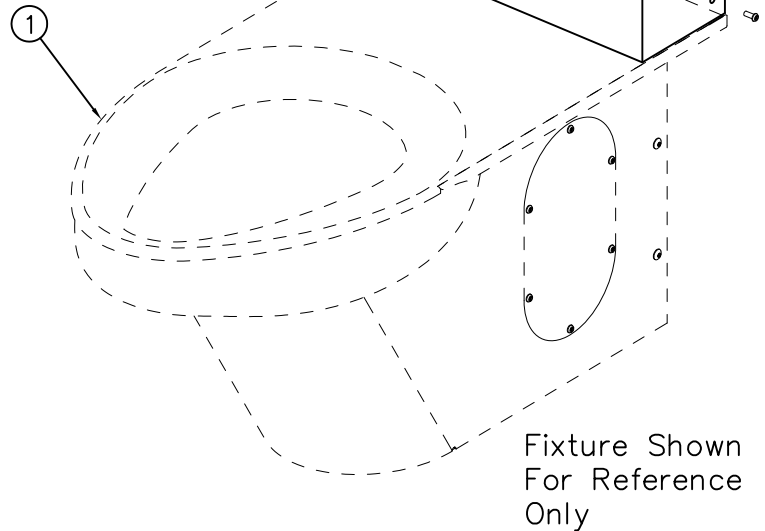
FRONT VIEW



SIDE VIEW



MOUNTING CLIPS WITH
9/32" x 1/2" LONG SLOTS



INSTALLATION INSTRUCTIONS:

- A- MOUNT FIXTURE ① TO WALL.
- B- ROUGH-IN FOR FLUSH VALVE SUPPLY ② REFER TO FIXTURE INSTALLATION INSTRUCTIONS.
- C- LOCATE AND INSTALL WALL ANCHORS (BY OTHERS) ③.
- D- INSTALL FLUSH VALVE ④ TO FIXTURE ①.
- E- ATTACH MOUNTING CLIPS ⑤ TO WALL USING MOUNTING SCREWS ⑥ (BY OTHERS).
- F- ATTACH FLUSH VALVE COVER ⑦ TO MOUNTING CLIPS ⑤ USING #10-32 SCREWS ⑧ PROVIDED.

WHITEHALL MANUFACTURING P.O. BOX 3527 Industry, CA 91744 15125 Proctor Ave Industry, CA 91746 (626) 968-6681 FAX (626) 855-4862	TITLE SLOPING TOP LIGATURE RESISTANT FLUSH VALVE COVER WITH FLUSH VALVE (TOILET) #2802SLPT	
	MANUFACTURE DATE OCTOBER 2012 TO PRESENT	DATE ISSUED 04/15/13 DATE REVISED 10/23/13 A