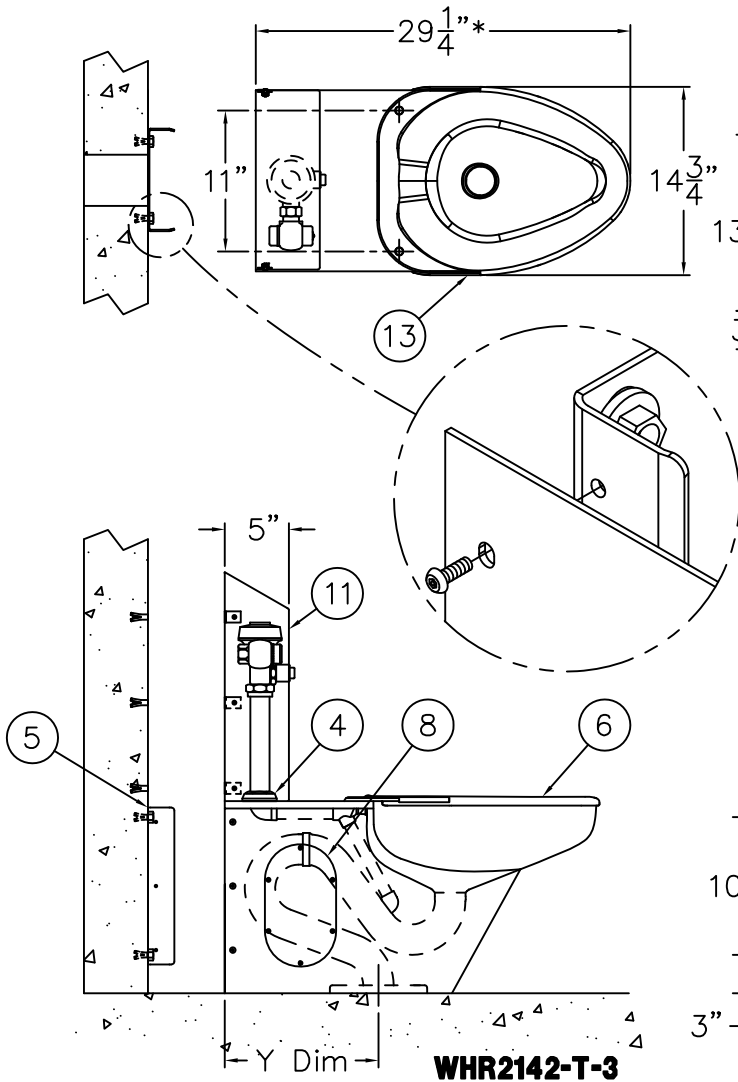


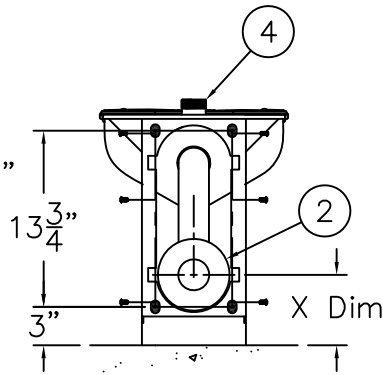


\* OVERALL LENGTH INCREASES ACCORDINGLY WHEN "Y" DIMENSION IS MORE THAN 12"

**NOTE: USE ONLY APPROPRIATE UPC/CUPC CERTIFIED FLUSH VALVE FOR THE INSTALLATION OF THIS TOILET.**

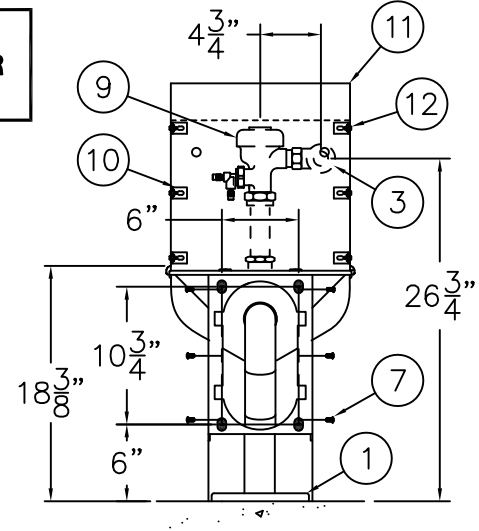


**WHR2142-T-3**

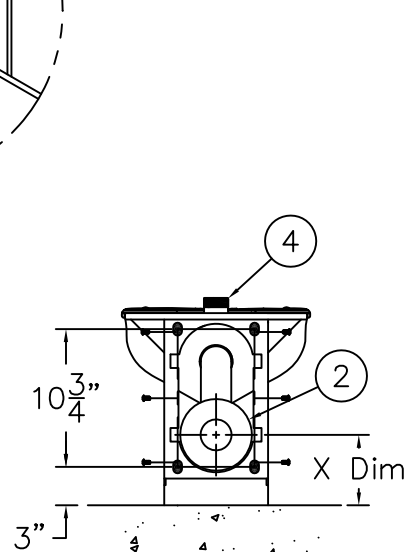


**WHR2142-ADA-T-2**

**REAR VIEW**

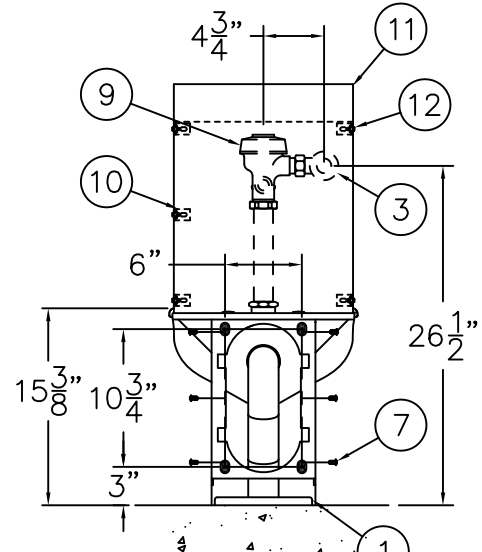


**WHR2142-ADA-T-3**



**WHR2142-T-2**

**REAR VIEW**



**WHR2142-T-3**

**INSTALLATION INSTRUCTIONS:**

- A- ROUGH-IN FOR THE FOLLOWING:
  - 7-1/2" RECESSED GASKET FLANGE (1).
  - 5-1/2" RECESSED GASKET FLANGE (2).
  - FLUSH VALVE INLET 1" NPT (3).
  - FIXTURE FLUSHING INLET 1-1/2" NPT (4).
- B- POSITION MOUNTING TEMPLATE (5) ONTO FIXTURE SIDE OF REINFORCED WALL LOCATING AS INDICATED. WALL ANCHORS AND FASTENERS ARE BY OTHERS.
- C- PLACE TOILET (6) UP AGAINST WALL. ATTACH TOILET HOUSING TO MOUNTING TEMPLATE (5) USING 1/4-20 SCREWS (7).
- D- REMOVE ACCESS PANELS (8) AND MAKE UP TOILET WASTE CONNECTION.

- E- INSTALL FLUSH VALVE (9) TO FIXTURE AS REQUIRED PER MANUFACTURER'S RECOMMENDATIONS.

**NOTE:** FOR -ADA UNITS REFER TO ADA ACCESSIBILITY GUIDELINES FOR COMPLETE INSTALLATION REQUIREMENTS. FLUSH VALVE MUST BE HYDRAULICALLY ACTUATED. ADA CONTROLS MUST BE LOCATED ON THE WIDE SIDE OF TOILET.

- F- INSTALL WALL ANCHORS (BY OTHERS) AND ATTACH MOUNTING CLIPS (10) TO WALL USING MOUNTING SCREWS (BY OTHERS)
- G- ATTACH FLUSH VALVE COVER (11) TO MOUNTING CLIPS (10) USING #10-32 SCREWS (12) PROVIDED.
- F- LIGATURE RESISTANT TOILET SEAT COVER (13).



WHITEHALL MANUFACTURING  
P.O. BOX 3527 Industry, CA 91744  
15125 Proctor Ave Industry, CA 91746  
(626) 968-6681 FAX (626) 855-4862

TITLE **LIGATURE RESISTANT REPLACEMENT TOILETS \*WHR2142(ADA)-T-2/3**

MANUFACTURE DATE

**JULY 2015  
TO PRESENT**

DATE ISSUED

**07/17/15**

DATE REVISED

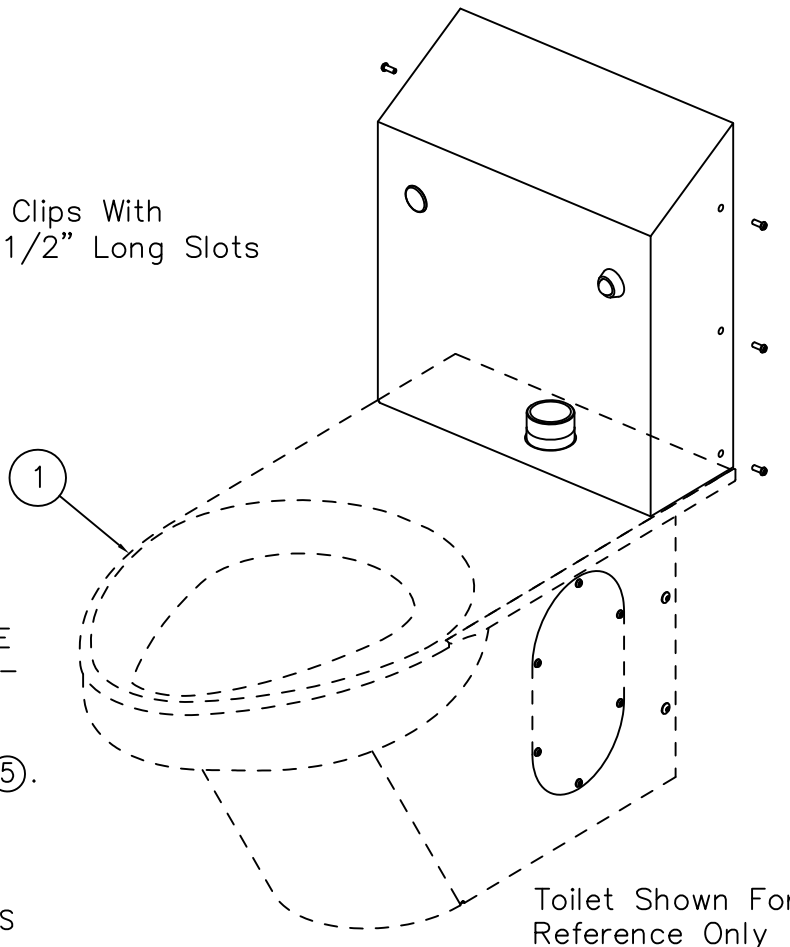
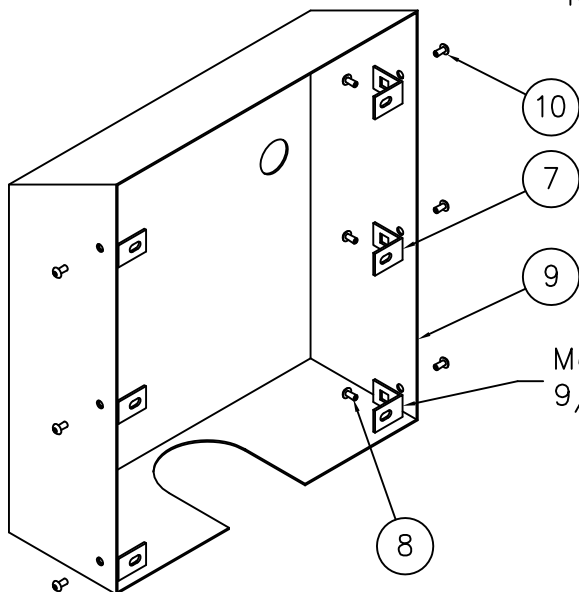
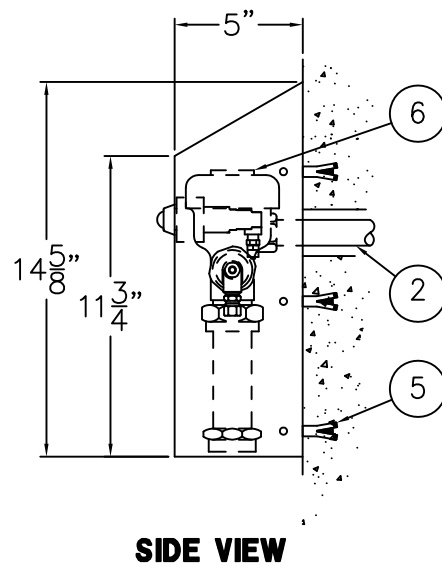
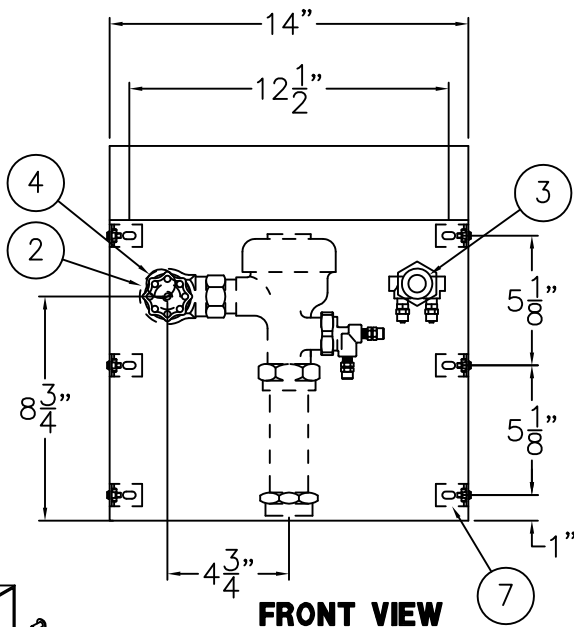
**09/27/17 C**

DRAWING NUMBER

**9918-010-001**



REFERENCE DRAWINGS	
SECURITY SCREWS	9951-005-W01
TINNERMAN NUTS	9951-007-W01



**INSTALLATION INSTRUCTIONS:**

- A- MOUNT TOILET (1) TO WALL.
- B- ROUGH-IN FOR FLUSH VALVE SUPPLY (2). REFER TO FIXTURE INSTALLATION INSTRUCTIONS. SUPPLY MAY BE BROUGHT IN ON EITHER SIDE OF FLUSH VALVE. PUSH-BUTTON (3) TO BE MOUNTED ON OPPOSITE SIDE OF SUPPLY AND BLANK ESCUTHEON (4).
- C- LOCATE AND INSTALL WALL ANCHORS (BY OTHERS) (5).
- D- INSTALL FLUSH VALVE (6) TO FIXTURE (1).
- E- ATTACH MOUNTING CLIPS (7) TO WALL USING MOUNTING SCREWS (8) (BY OTHERS).
- F- ATTACH FLUSH VALVE COVER (9) TO MOUNTING CLIPS (7) USING #10-32 SCREWS (10) PROVIDED.

WHITEHALL MANUFACTURING P.O. BOX 3527 Industry, CA 91744 15125 Proctor Ave Industry, CA 91746 (626) 968-6681 FAX (626) 855-4862	<b>TITLE SLOPING TOP LIGATURE RESISTANT FLUSH VALVE COVER W/ HYDRAULIC FLUSH VALVE #2802ADA</b>	
	MANUFACTURE DATE <b>DECEMBER 2013</b> <b>TO PRESENT</b>	DATE ISSUED <b>12/19/13</b>