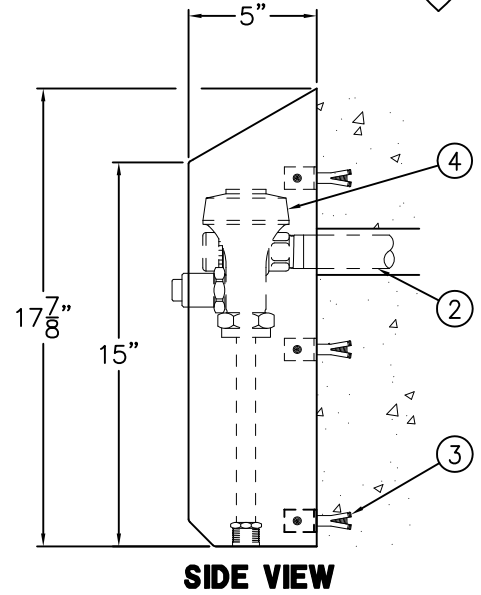
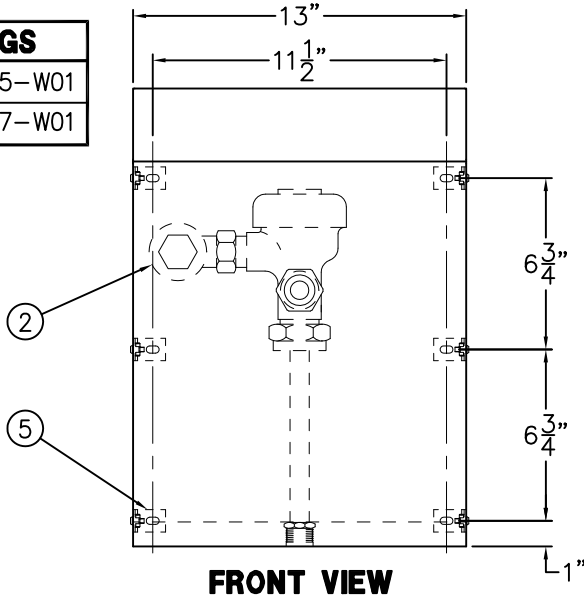


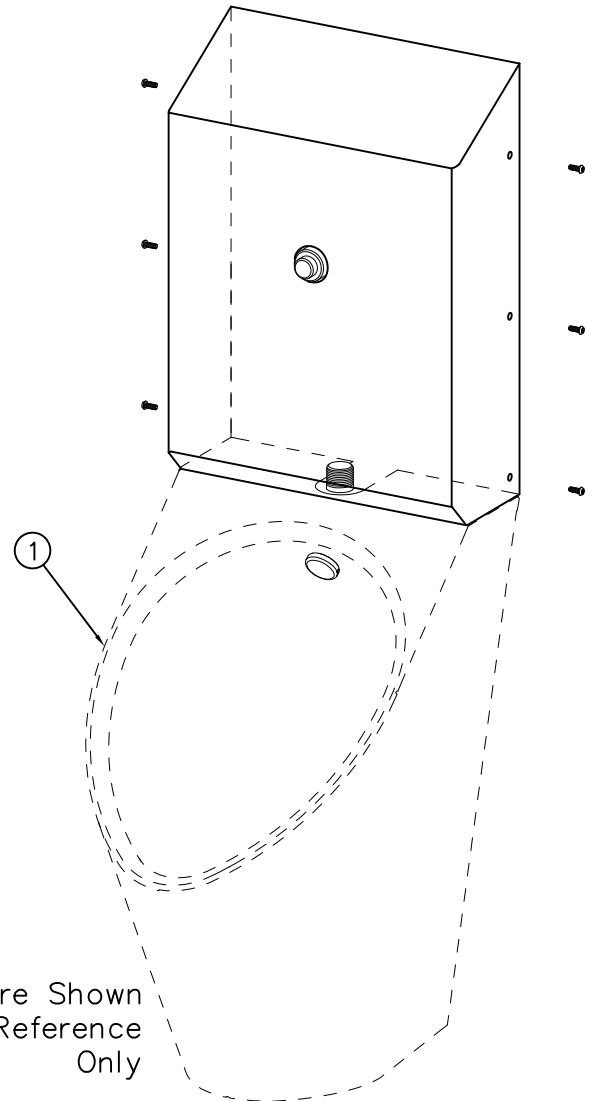
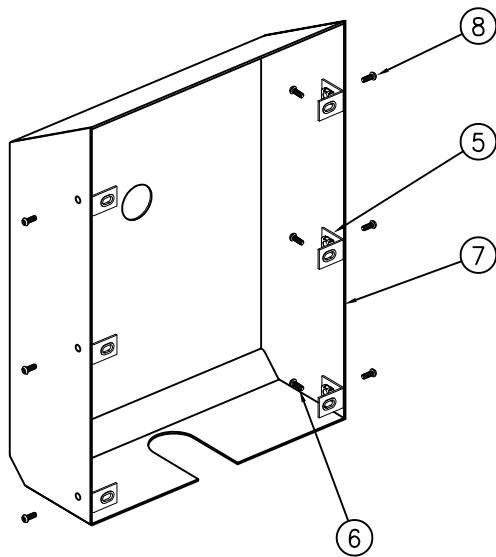


REFERENCE DRAWINGS	
SECURITY SCREWS	9951-005-W01
TINNERMAN NUTS	9951-007-W01



NOTE:

FLUSH VALVE COVER
FOR MODELS 2158-T
& 1709HEU ONLY



INSTALLATION INSTRUCTIONS:

- A- MOUNT FIXTURE ① TO WALL.
- B- ROUGH-IN FOR FLUSH VALVE SUPPLY ② REFER TO FIXTURE INSTALLATION INSTRUCTIONS.
- C- LOCATE AND INSTALL WALL ANCHORS (BY OTHERS) ③.
- D- INSTALL FLUSH VALVE ④ TO FIXTURE ①.
- E- ATTACH MOUNTING CLIPS ⑤ TO WALL USING MOUNTING SCREWS ⑥ (BY OTHERS).
- F- ATTACH FLUSH VALVE COVER ⑦ TO MOUNTING CLIPS ⑤ USING #10-32 SCREWS ⑧ PROVIDED.

WHITEHALL MANUFACTURING P.O. BOX 3527 Industry, CA 91744 15125 Proctor Ave Industry, CA 91746 (626) 968-6681 FAX (626) 855-4862	TITLE URINAL SLOPING TOP LIGATURE RESISTANT FLUSH VALVE COVER w/ FLUSH VALVE #2802SLPT	
	MANUFACTURE DATE OCTOBER 2012 TO PRESENT	DATE ISSUED 10/09/12 <hr/> DATE REVISED 10/23/13 A