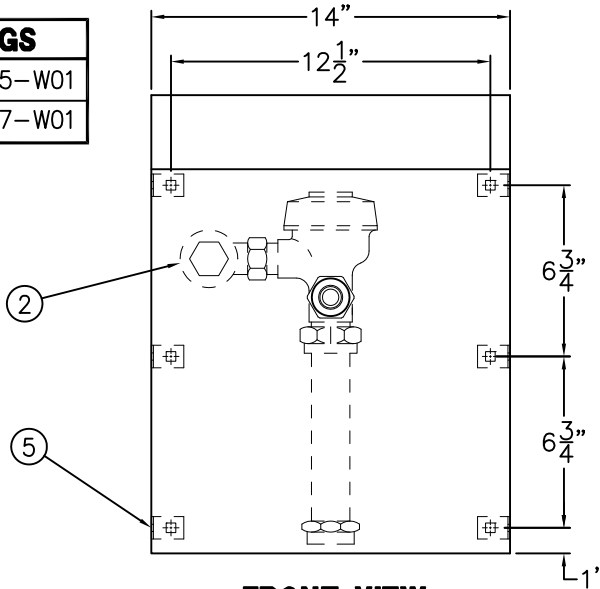
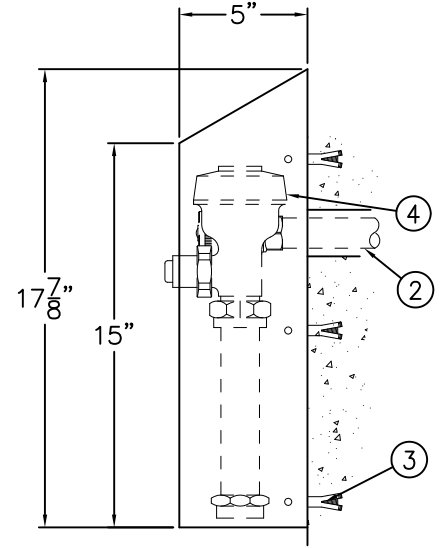




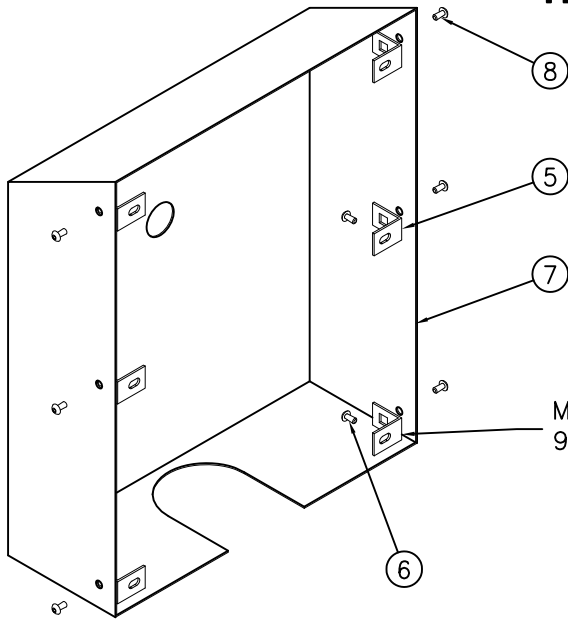
REFERENCE DRAWINGS	
SECURITY SCREWS	9951-005-W01
TINNERMAN NUTS	9951-007-W01



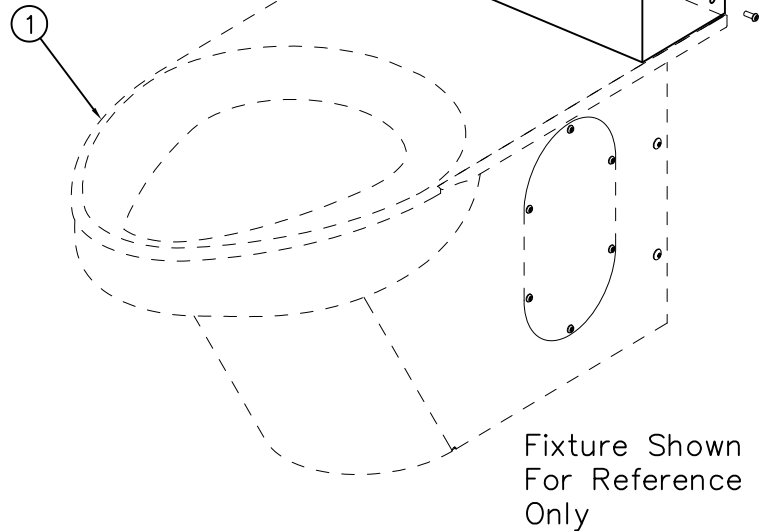
FRONT VIEW



SIDE VIEW



MOUNTING CLIPS WITH
9/32" x 1/2" LONG SLOTS



INSTALLATION INSTRUCTIONS:

- A- MOUNT FIXTURE ① TO WALL.
- B- ROUGH-IN FOR FLUSH VALVE SUPPLY ② REFER TO FIXTURE INSTALLATION INSTRUCTIONS.
- C- LOCATE AND INSTALL WALL ANCHORS (BY OTHERS) ③.
- D- INSTALL FLUSH VALVE ④ TO FIXTURE ①.
- E- ATTACH MOUNTING CLIPS ⑤ TO WALL USING MOUNTING SCREWS ⑥ (BY OTHERS).
- F- ATTACH FLUSH VALVE COVER ⑦ TO MOUNTING CLIPS ⑤ USING #10-32 SCREWS ⑧ PROVIDED.

<p>WHITEHALL MANUFACTURING P.O. BOX 3527 Industry, CA 91744 15125 Proctor Ave Industry, CA 91746 (626) 968-6681 FAX (626) 855-4862</p>	<p>TITLE SLOPING TOP LIGATURE RESISTANT FLUSH VALVE COVER WITH FLUSH VALVE (TOILET) #2802SLPT</p>		
	<p>MANUFACTURE DATE</p> <p>OCTOBER 2012</p> <p>TO PRESENT</p>	<p>DATE ISSUED</p> <p>04/15/13</p> <p>DATE REVISED</p> <p>10/23/13 A</p>	<p>DRAWING NUMBER</p> <p>9918-015-001</p>