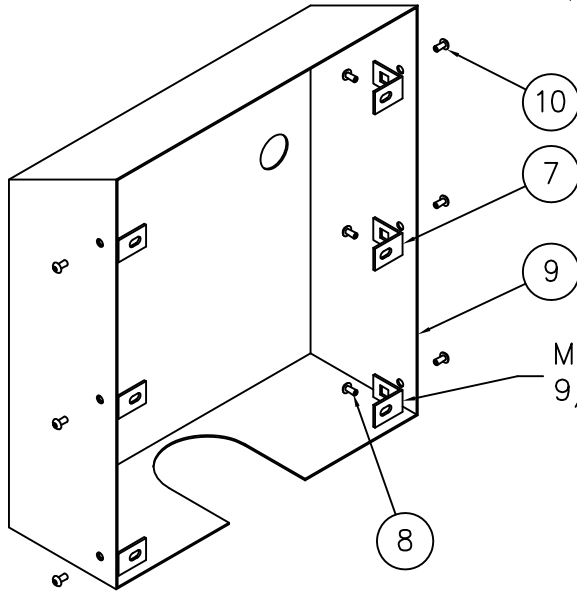
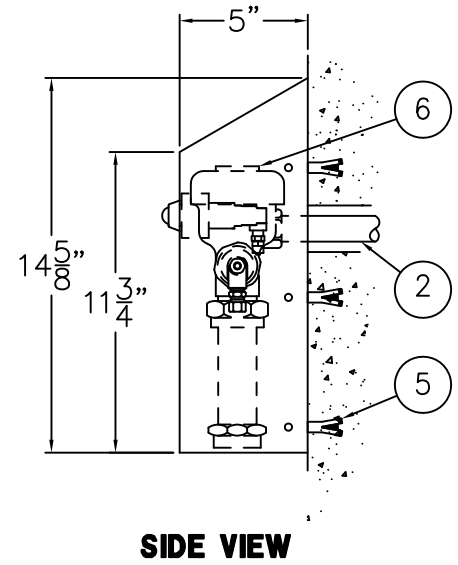
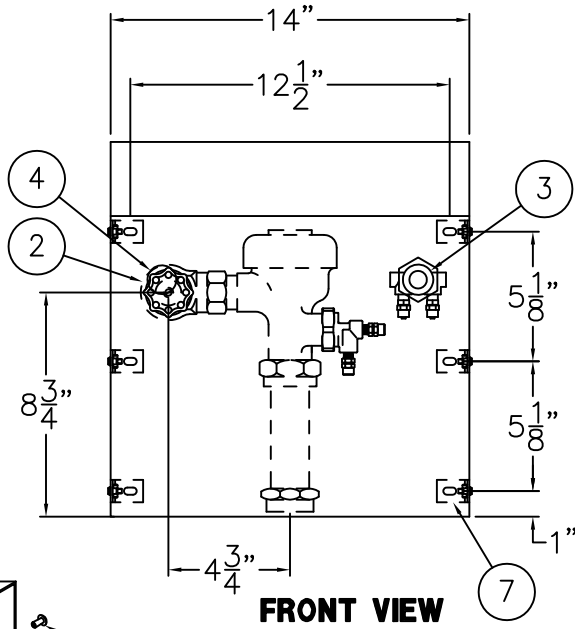
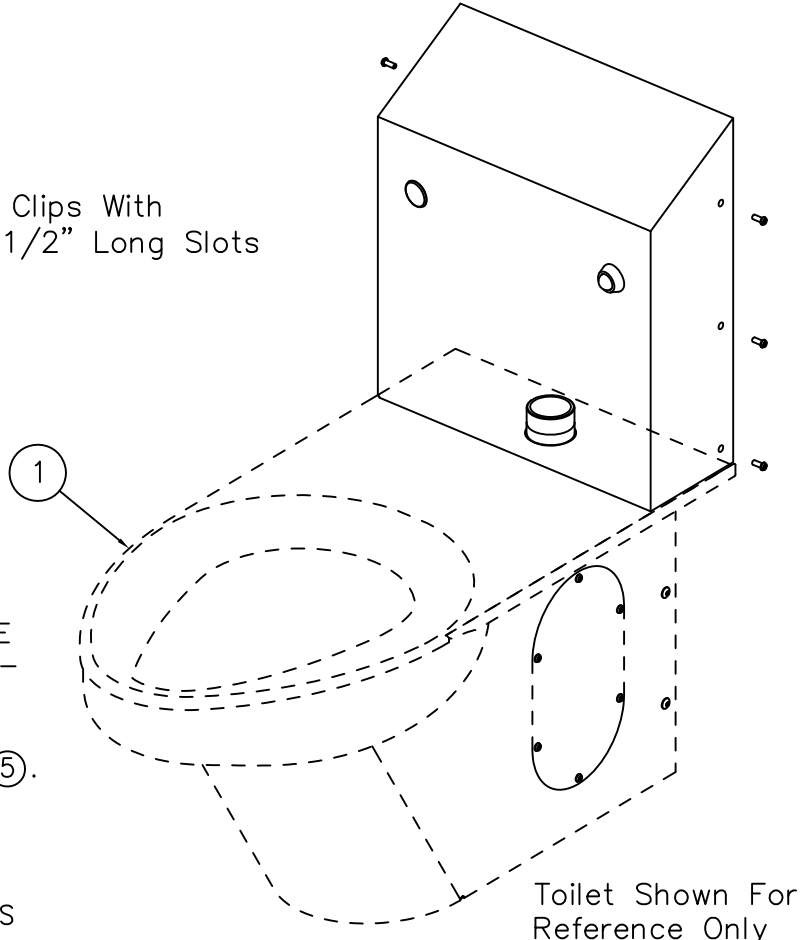




REFERENCE DRAWINGS	
SECURITY SCREWS	9951-005-W01
TINNERMAN NUTS	9951-007-W01



Mounting Clips With
9/32" x 1/2" Long Slots



INSTALLATION INSTRUCTIONS:

- A- MOUNT TOILET (1) TO WALL.
- B- ROUGH-IN FOR FLUSH VALVE SUPPLY (2). REFER TO FIXTURE INSTALLATION INSTRUCTIONS. SUPPLY MAY BE BROUGHT IN ON EITHER SIDE OF FLUSH VALVE. PUSH-BUTTON (3) TO BE MOUNTED ON OPPOSITE SIDE OF SUPPLY AND BLANK ESCUTHEON (4).
- C- LOCATE AND INSTALL WALL ANCHORS (BY OTHERS) (5).
- D- INSTALL FLUSH VALVE (6) TO FIXTURE (1).
- E- ATTACH MOUNTING CLIPS (7) TO WALL USING MOUNTING SCREWS (8) (BY OTHERS).
- F- ATTACH FLUSH VALVE COVER (9) TO MOUNTING CLIPS (7) USING #10-32 SCREWS (10) PROVIDED.

<p>WHITEHALL MANUFACTURING P.O. BOX 3527 Industry, CA 91744 15125 Proctor Ave Industry, CA 91746 (626) 968-6681 FAX (626) 855-4862</p>	<p>TITLE SLOPING TOP LIGATURE RESISTANT FLUSH VALVE COVER W/ HYDRAULIC FLUSH VALVE #2802ADA</p>		
	<p>MANUFACTURE DATE DECEMBER 2013 TO PRESENT</p>	<p>DATE ISSUED 12/19/13</p>	<p>DRAWING NUMBER 9918-016-001</p>
		<p>DATE REVISED</p>	