



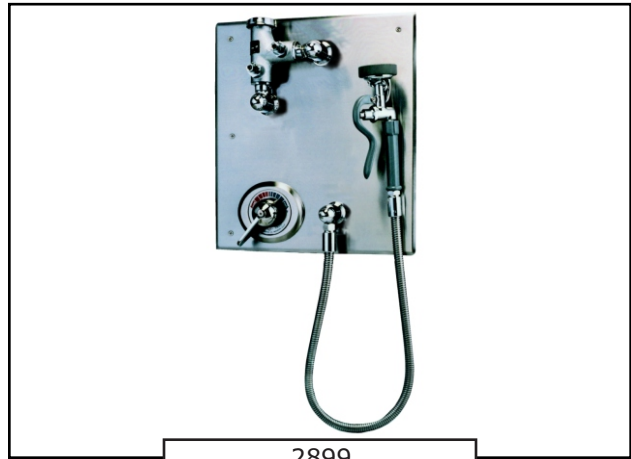
Whitehall
Manufacturing™

Medical Hose/Supply Boxes

A MEMBER OF
MORRIS GROUP
INTERNATIONAL

Whitehall Bedpan Washer Wall Mounted

Model 2899



2899

Fixture May Show Some Available Options

Bedpan Washer

Bedpan Washer is intended to provide a convenient exposed wall hung unit for use in hospital patient rooms.

Wall Plate is heavy gage type 304 stainless steel with exposed surfaces polished to a satin finish. Wall plate attaches to a built-in mounting frame, which contains piping assemblies.

Mixing Valve is a hot and cold pressure balance type and allows for temperature adjustment. Valve includes lever handle, dial plate and concealed checkstops.

Bedpan Washer assembly includes hand spray with volume control and positive shut-off control, handle and 60" long pressure type stainless steel clad hose. Hand spray mounts to wall plate with mounting bracket.

Vacuum Breaker is chrome plated elevated pressure type, which is mounted to wall plate.

GUIDE SPECIFICATION

Provide and install Whitehall Bedpan Washer Model 2899. Provide heavy gage type 304 stainless steel wall plate with satin finish and recessed wall mounting box. Provide hot and cold mixing valve with built-in checkstops. Provide pressure type vacuum breaker. Hand spray valve to include positive shut-off and 60" stainless steel clad hose.

Please visit www.whitehallmfg.com for most current specifications.



Member of
U.S. Green
Building
Council



Recyclable
Product



Water
Conserving
Product

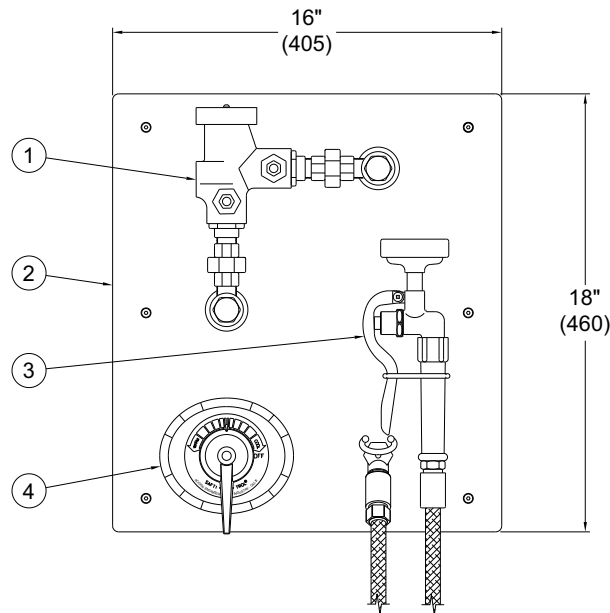
Complies
with the
following
standards:





BASE MODEL NUMBER
 2899 Bedpan Washer

PRODUCT OPTIONS
None Available



MODEL# 2899

NOTES:

- 1. Vacuum Breaker
- 2. Face Plate
- 3. Bedpan Washer
- 4. Control Valve

⚠ WARNING: Cancer and Reproductive Harm - www.P65Warnings.ca.gov

SELECTION SUMMARY & APPROVAL FOR MANUFACTURING

Model Number & Options _____ Quantity _____
 Company _____ Date _____
 Contact _____ Title _____
 Approval for Manufacturing/Signature _____

All dimensions are nominal and subject to manufacturer's change without notice. Whitehall assumes no responsibility for use of void or suspended data © Whitehall Manufacturing, Member of Morris Group International. Please visit www.whitehallmfg.com for most current specifications.