



**Whitehall  
 Free-Standing  
 Bedside Patient  
 Care Unit (PCU)  
 with Built-In Seat  
 (formerly referred to  
 as Swivette)**

Includes Models  
**4010BIS, 4012BIS, 4015BIS**



4010BIS-L-CSG-FIB-CSP

Fixture May Show Some Available Options

**Cabinet** interior surfaces are stainless steel. Interior has a removable stainless steel Floor to conceal Frame Anchors. Specify cabinet material and color selection.

**Counter** has a 3" Backsplash and a bullnose front edge. Built-In Seat is an integral part of the Countertop. Specify Countertop material and color selection.

**Lavatory** is always located on the opposite side of the toilet.

**Toilet** is stainless steel, siphon jet type with white plastic Seat and self-sustaining Check Hinge. Door Linkage swivels the Toilet into the room when Cabinet door is opened. The Toilet is locked in place when open and must be unlatched to close.

**Hydraulic Flush Valve** is furnished standard with a 1-3/4" diameter, hydraulically actuated, remote Pushbutton. Minimum required flow pressure is 25 PSI with a minimum water consumption of 1.28 GPF.

**Swivel Assembly** is cast iron with a sanitary white powder coat finish, and has a positive watertight, chemical-resistant Seal. Swivel assembly requires floor anchoring (hardware provided). **Toilets will withstand a 2,500 pound static vertical load.**

**Floor Anchors** are seismic rated for CBC category IV structures.

**Metal Template** is provided for ease of installation.

**GUIDE SPECIFICATION**

Provide and install Whitehall Free-Standing Bedside Patient Care Unit (specify model number and options). Cabinet Frame shall be heliarc welded, type 304 stainless steel, and shall not require wall support. Door on Toilet side shall be linked to Toilet, so that when Door is opened or closed, the Toilet will swivel accordingly. Door on lavatory side shall be provided with a Toilet Paper Holder. Doors shall support a 250 pound static, vertical load. Front Panel shall hinge open for access to valves and piping. Cabinet shall provide front toe space. Lavy P-Trap shall be furnished. Toilet shall be stainless steel, elongated, siphon jet type, and shall flush in any position along the arc of movement. Trap shall pass a 2-1/8" ball. Toilet shall withstand loadings of 2,500 pounds without permanent damage. Toilet Seat shall have self-sustaining Check Hinge.

Please visit [www.whitehallmfg.com](http://www.whitehallmfg.com) for most current specifications.



Member of  
U.S. Green  
Building  
Council



Recyclable  
Product



Water  
Conserving  
Product

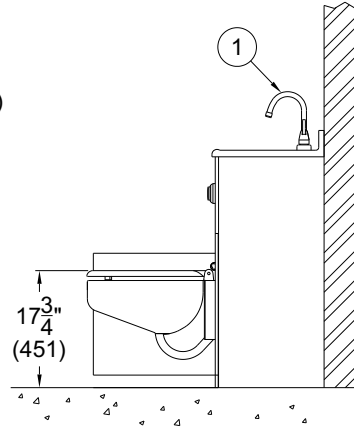
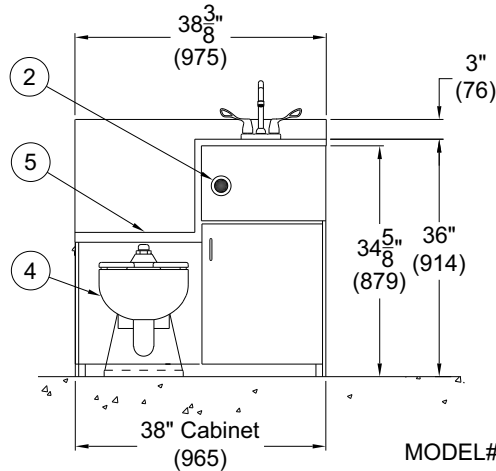
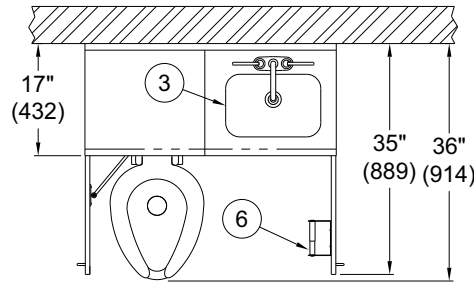
Complies  
with the  
following  
standards:



Federal  
Public Law  
111-380  
(No Lead)



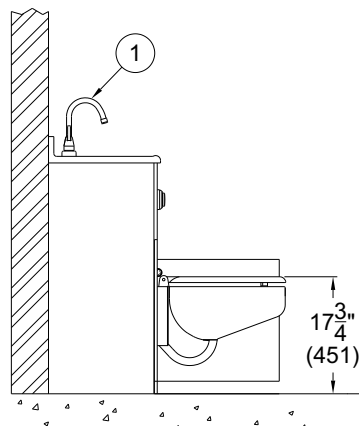
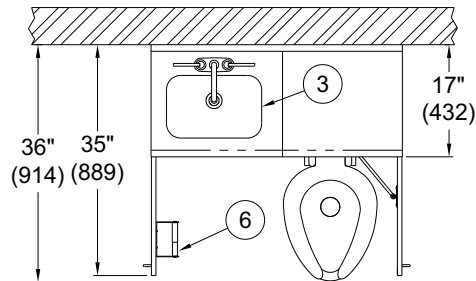
C  
IAPMO®



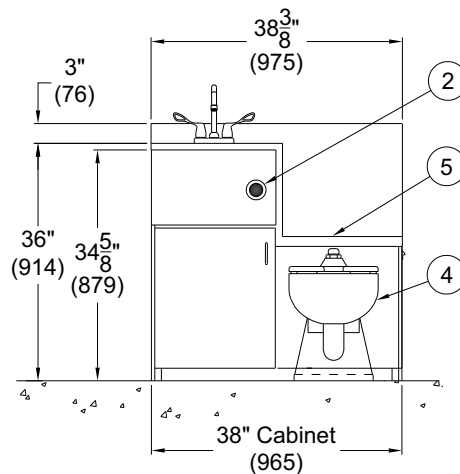
MODEL# 4010BIS-L-1

**NOTES:**

1. Lavatory Gooseneck Faucet
2. Flush Valve Pushbutton
3. Lavatory (Basin)
4. Stainless Steel Toilet
5. Built-In Seat
6. Toilet Paper Holder



MODEL# 4010BIS-R-1



All dimensions are nominal and subject to manufacturer's change without notice. Whitehall assumes no responsibility for use of void or suspended data © Whitehall Manufacturing, Member of Morris Group International. Please visit [www.whitehallmfg.com](http://www.whitehallmfg.com) for most current specifications.



**MODEL NUMBER AND OPTIONS SELECTION**

**BASE MODEL NUMBER (Must Specify)**

- 4010BIS Free-Standing, Back Wall Waste Outlet
- 4012BIS Free-Standing, Side Wall Waste Outlet
- 4015BIS Free-Standing, Floor Waste Outlet

**Note:** Side wall outlet is only available on the toilet side of fixture.

**TOILET ORIENTATION (Must Specify)**

- L Left Hand Toilet       -R Right Hand Toilet

**Notes:** L (Left) or R (Right) indicates toilet location in opened position when facing the fixture. Lavy (Basin) is always located on side opposite the toilet.

**BACKSPLASH/CABINET ORIENTATION (Must Specify)**

- 1 Back Wall Only (One Wall)
- 2 Right Hand Corner (Two Wall)
- 3 Left Hand Corner (Two Wall)
- 4 Alcove (Three Wall)

**FLUSH VALVE SELECTION (Must Specify)**

- HET - 1.28 GPF
- ULF - 1.6 GPF (Standard)
- 3.5 GPF

**FAUCET SELECTION (Must Specify)**

- CSG Centerset Gooseneck Spout w/ Wrist Blade Handles
- SO Sensor Operated Valve
- SO-BAT Sensor Operated Valve-Battery Powered
- VF H & C Foot Pedal Operated Air-Control Valve
- LFN Laminar Flow Nozzle
- LS Lavatory Hose Spray (Not Available w/ -SO)

**LAVY (BASIN) OPTIONS**

- ESB Embedded Stainless Steel Basin (With -CCT Only) **lp**

**TOILET PAPER OPTIONS**

- EP Exposed Paper Holder
- PHE Enclosed Paper Holder (Not Available w/ Stainless Steel or Corian® Basin) **lp**

**COUNTERTOP COLOR SELECTION (Must Specify)**

- CCL Corterra® Solid Surface Countertop w/ Integral Backsplash & Lavy (Basin)  
 Color: \_\_\_\_\_  
 (Refer to [www.whitehallmfg.com](http://www.whitehallmfg.com) for available colors, keyword search: CORTERRA)

**lp**

- CCT Corterra® Solid Surface Countertop w/ Integral Backsplash  
 Color: \_\_\_\_\_  
 (Refer to [www.whitehallmfg.com](http://www.whitehallmfg.com) for available colors, keyword search: CORTERRA)

**lp**

- \*  -CNCT Corian® Countertop
- \*  -CNCTL Corian® Countertop w/ Integral Contrasting Colored Lavy Bowl (Basin)

- CS Stainless Steel Countertop w/ Integral Backsplash & Lavy (Basin)

- OCR Cast Translucent Resin Countertop w/ Integral Backsplash and Solid Surface Lavy Bowl (Basin)  
 Color: \_\_\_\_\_

(Refer to [www.whitehallmfg.com](http://www.whitehallmfg.com) for available colors, keyword search: RESIN)

**lp**

- LCT AMA SteriTouch® Anti-Microbial Additive Less Countertop

**CABINET COLOR SELECTION (Must Specify)**

**lp**

- OCP Color Polyethylene Panels  
 Color: \_\_\_\_\_  
 (Refer to [www.whitehallmfg.com](http://www.whitehallmfg.com) for available colors, keyword search: POLYETHYLENE)

- LCC High Pressure Laminate  
 Specify Laminate Manufacturer  
 Color: \_\_\_\_\_

**TOILET OPTIONS**

**lp**

- BL Bedpan Lugs
- FCI Infectious Control Flush
- WO3 3" P-Trap (3.5 GPF Only)

**PRODUCT OPTIONS**

- CSP Cushioned Seat Padded
- EC Extended Countertop
- EG Enviro-Glaze Color Specify: \_\_\_\_\_  
 Lavy (Basin)       Cabinet Interior
- EGE Enviro-Glaze Color Specify: \_\_\_\_\_  
 Toilet Exterior Only
- SUG Swing Up Grab Bar

**lp**

Infection Prevention option

\*

Increased lead time and price

**WARNING:** Cancer and Reproductive Harm - [www.P65Warnings.ca.gov](http://www.P65Warnings.ca.gov)

**SELECTION SUMMARY & APPROVAL FOR MANUFACTURING**

Model Number & Options \_\_\_\_\_ Quantity \_\_\_\_\_  
 Company \_\_\_\_\_ Date \_\_\_\_\_  
 Contact \_\_\_\_\_ Title \_\_\_\_\_  
 Approval for Manufacturing/Signature \_\_\_\_\_

All dimensions are nominal and subject to manufacturer's change without notice. Whitehall assumes no responsibility for use of void or superseded data © Whitehall Manufacturing, Member of Morris Group International. Please visit [www.whitehallmfg.com](http://www.whitehallmfg.com) for most current specifications.