



Division of
Acorn Engineering Company®

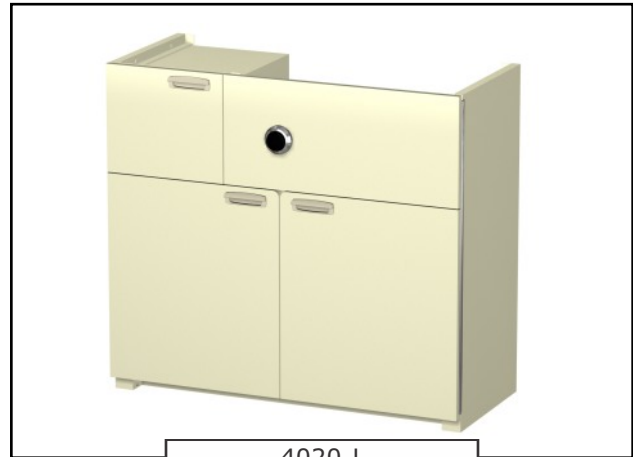


A MEMBER OF



**Whitehall
 Built-In
 Bedside Patient
 Care Unit
 (formerly referred to
 as Swivette)**

Includes Models
4020, 4022, 4025



4020-L

Fixture May Show Some Available Options

Cabinet interior surfaces are stainless steel. Interior has a removable stainless steel floor to conceal frame anchors. Specify cabinet material and color selection.

Toilet is stainless steel, siphon jet type with white plastic seat and self-sustaining check hinge. Door linkage swivels the toilet into the room when cabinet door is opened. The toilet is locked in place when open and must be unlatched to close.

Hydraulic Flush Valve is furnished standard with a 1-3/4" diameter, hydraulically actuated, remote pushbutton. Minimum required flow pressure is 25 PSI with a minimum water consumption of 1.28 GPF.

Swivel Assembly is cast iron with a sanitary white powder coat finish, and has a positive watertight, chemical-resistant seal. Swivel assembly requires floor anchoring (hardware provided). **Toilets will withstand a 2,500 pound static vertical load.**

Floor Anchors are seismic rated for CBC category IV structures.

Metal Template is provided for ease of installation.

Optional Bedpan Washer mounts in lieu of the storage compartment and includes a handheld bedpan washer with volume control, positive shut-off and stainless steel hose. **An elevated pressure type vacuum breaker by others is recommended with this selection to prevent backflow or siphonage from occurring and possibly contaminating the water supply. Consult local codes for back flow prevention device requirements.**

GUIDE SPECIFICATION

Provide and install Whitehall Built-In Patient Care Unit (specify model number and options). Cabinet frame shall be heliarc welded, type 304 stainless steel, and shall not require wall support. Door on toilet side shall be linked to toilet, so that when door is opened or closed, the toilet will swivel accordingly. Door on lavatory side shall be provided with a toilet paper holder. Doors shall support a 250 pound static, vertical load. Front panel shall hinge open for access to valves and piping. Storage compartment shall be provided above the toilet. Cabinet shall provide front toe space. Toilet shall be stainless steel, elongated, siphon jet type, and shall flush in any position along the arc of movement. Trap shall pass a 2-1/8" ball. Toilet shall withstand loadings of 2,500 pounds without permanent damage. Toilet seat shall have self-sustaining check hinge.

Please visit www.whitehallmfg.com for most current specifications.



Member of
U.S. Green
Building
Council



Recyclable
Product



Water
Conserving
Product

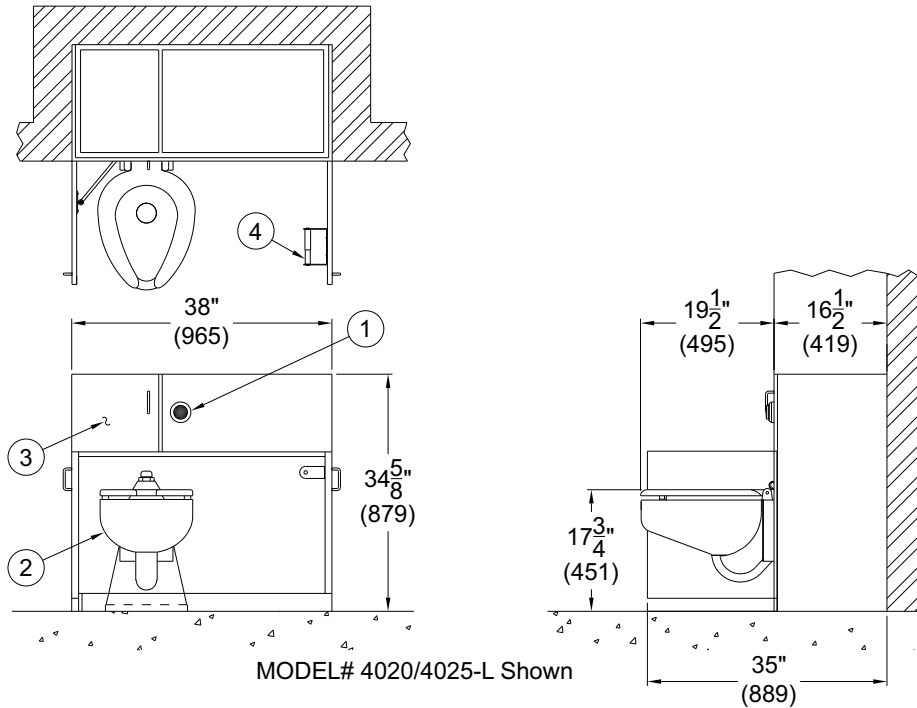
Complies
with the
following
standards:



Federal
Public Law
111-380
(No Lead)

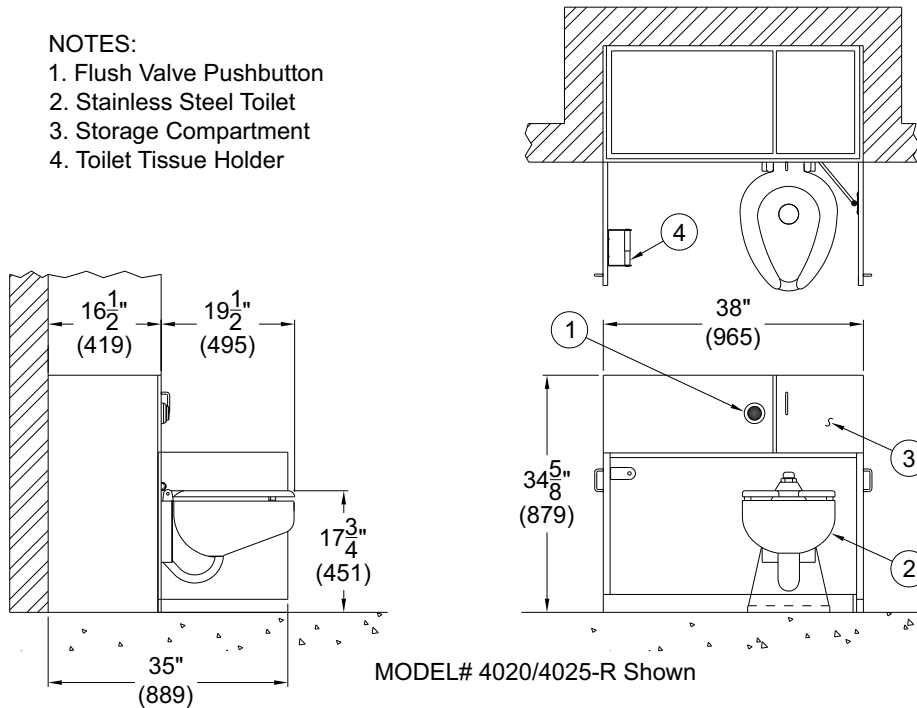


C
IAPMO®



NOTES:

- 1. Flush Valve Pushbutton
- 2. Stainless Steel Toilet
- 3. Storage Compartment
- 4. Toilet Tissue Holder



All dimensions are nominal and subject to manufacturer's change without notice. Whitehall assumes no responsibility for use of void or suspended data © Whitehall Manufacturing, Member of Morris Group International. Please visit www.whitehallmfg.com for most current specifications.



MODEL NUMBER AND OPTIONS SELECTION

BASE MODEL NUMBER (Must Specify)

- 4020 Built-In, Back Wall Waste Outlet
- 4022 Built-In, Side Wall Waste Outlet
- 4025 Built-In, Floor Waste Outlet

Note: Side wall outlet is only available on the toilet side of fixture.

TOILET ORIENTATION (Must Specify)

- L Left Hand Toilet -R Right Hand Toilet

Notes: L (Left) or R (Right) indicates toilet location in opened position when facing the fixture. Lavy (Basin) is always located on side opposite the toilet.

FLUSH VALVE SELECTION (Must Specify)

- HET - 1.28 GPF
- ULF - 1.6 GPF (Standard)
- 3.5 GPF

STORAGE COMPARTMENT/BEDPAN WASHER/DIALYSIS BOX

- BW Stainless Steel Bedpan Washer (Built-In)
- DB1 Hemo-Dialysis Box, Single Valve- PVC Ball Valve
- DB1SV Hemo-Dialysis Box, Single Valve- S/S Ball Valve w/ T-Handle
- DB2 Hemo-Dialysis Box, Dual Valve- PVC Ball Valves
- DB2SV Hemo-Dialysis Box, Dual Valve- S/S Ball Valves w/ T-Handle
- SS Storage Shelf

TOILET PAPER OPTIONS

- EP Exposed Paper Holder
- PHE Concealed Paper Holder Separate Compartment

CABINET COLOR SELECTION (Must Specify)

- OCP Color Polyethylene Panels
 - OCP-01 White
 - OCP-02 Arctic Foam
 - OCP-03 Seafoam
 - LCC High Pressure Laminate
Specify Laminate Manufacturer
Color: _____
- OCP-05 Light Gray
- OCP-06 Dolphin Gray
- OCP-07 Sanshade

TOILET OPTIONS

- BL Bedpan Lugs
- FCI Infectious Control Flush
- WO3 3" P-Trap (3.5 GPF Only)

PRODUCT OPTIONS

- SUG Swing Up Grab Bar

ip Infection Prevention option

⚠ WARNING: Cancer and Reproductive Harm - www.P65Warnings.ca.gov

SELECTION SUMMARY & APPROVAL FOR MANUFACTURING

Model Number & Options _____ Quantity _____
 Company _____ Date _____
 Contact _____ Title _____
 Signature _____

All dimensions are nominal and subject to manufacturer's change without notice. Whitehall assumes no responsibility for use of void or superseded data © Whitehall Manufacturing, Member of Morris Group International. Please visit www.whitehallmfg.com for most current specifications.