



**Whitehall
 Bedside Patient
 Care Unit
 41" Wide
 (formerly referred to
 as Versalette)**

Model
4042



4042-L-1-CSG

Fixture May Show Some Available Options

Cabinet surface is either high pressure laminate with interior surface stain-resistant melamine laminate or polyethylene panels. Specify cabinet material and color selection. Corners are rounded with soft edges. Cabinet features a unique angled door which swings open to allow access to the bedpan washer and toilet paper holder. Cabinet includes a pivoting, padded toilet cover and back rest which doubles as a bedside seat. Seat color selection is determined by factory. Base molding for the cabinet is by others.

Counter has a 3" backsplash. Specify countertop material and color selection.

Lavatory is always located on the opposite side of the toilet.

Toilet is stainless steel, wall mounted siphon jet type with white plastic seat and self-sustaining check hinge.

Hydraulic Flush Valve is furnished standard with a 1-3/4" diameter, hydraulically actuated, remote pushbutton. Minimum required flow pressure is 25 PSI with a minimum water consumption of 1.28 GPF.

Bedpan Washer is concealed within cabinet and includes a handheld bedpan washer with volume control, positive shut-off and stainless steel hose. **An elevated pressure type vacuum breaker by others is recommended with this selection to prevent back-siphonage or backflow from occurring and possibly contaminating the water supply. Consult local codes for back flow prevention device requirements.** Optional -BWD Bed Pan Washer Drain is recommended.

Metal Template is provided for ease of installation.

Infectious Control Flush (-FCI) is optionally available to minimize the potential for airborne contaminants and exposure to harmful bacteria resulting from Flush Valve activation when Toilet Cover is in the open position. Activation of Toilet Flush will only be possible with Toilet Cover in the closed position.

GUIDE SPECIFICATION

Provide and install Whitehall 41" wide Bedside Patient Care Unit (specify model number and options). Cabinet surface to be high pressure laminate or polyethylene panels. Base molding by others. Includes pivoting padded seat cover with back rest, hydraulic flush valve, access panel and toilet paper holder. Wall mounted, elongated, stainless steel toilet bowl with 1.6 GPF and self-sustaining hinged seat. Wall carrier by others. Concealed bedpan washer cabinet shall include a handheld bedpan washer with positive shut-off and stainless steel hose.

Please visit www.whitehallmfg.com for most current specifications.



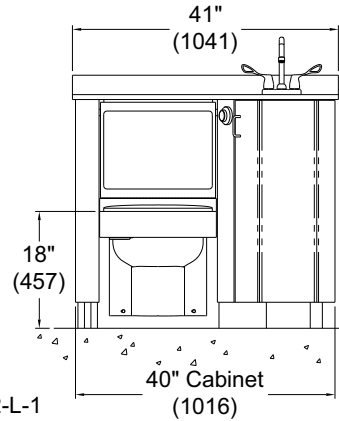
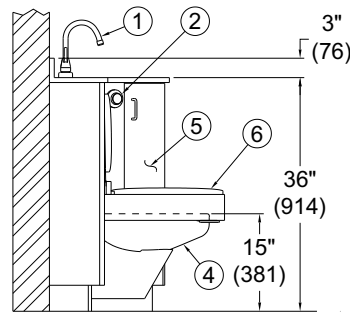
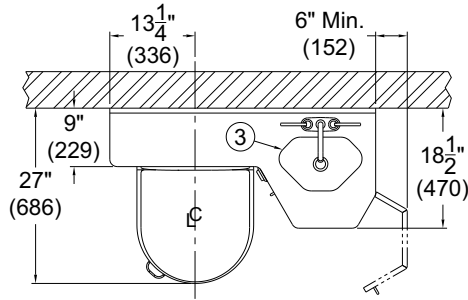
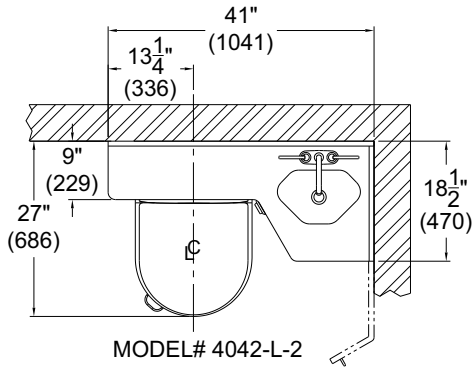
Member of
U.S. Green
Building
Council



Complies
with the
following
standards:

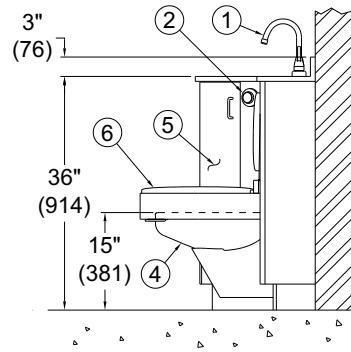
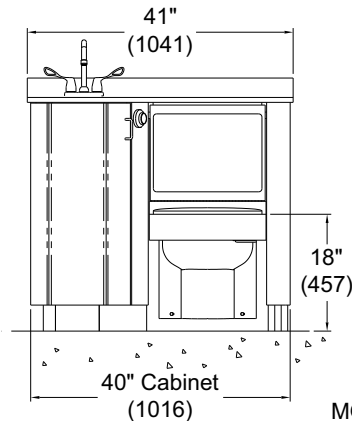
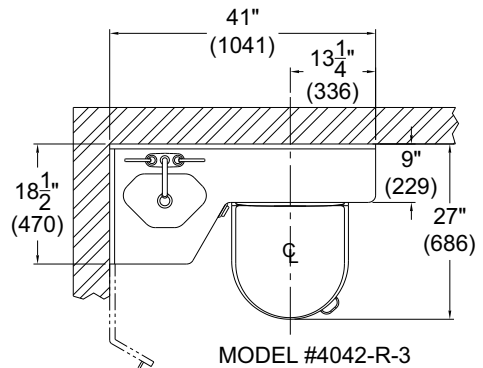
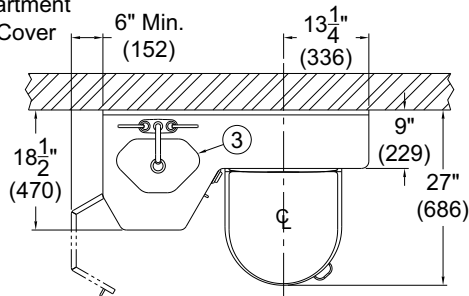


Federal
Public Law
111-380
(No Lead)



NOTES:

1. Lavatory Gooseneck Faucet
2. Flush Valve Pushbutton
3. Lavatory (Basin)
4. Stainless Steel Toilet
5. Bedpan Washer Compartment
6. Pivoting Padded Toilet Cover

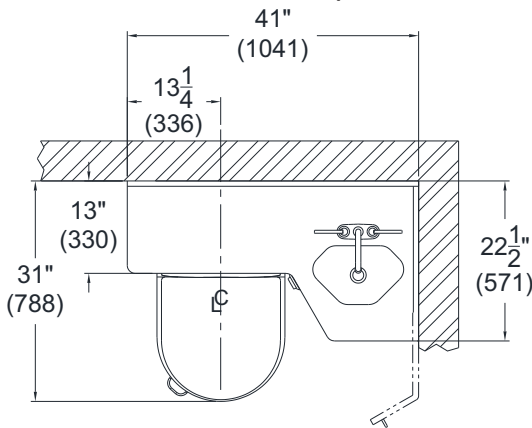


All dimensions are nominal and subject to manufacturer's change without notice. Whitehall assumes no responsibility for use of void or suspended data © Whitehall Manufacturing, Member of Morris Group International. Please visit www.whitehallmfg.com for most current specifications.

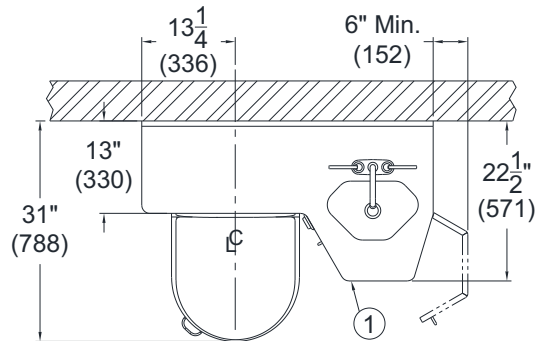


-FCI OPTION INFECTIOUS CONTROL FLUSH UNIT DETAILS

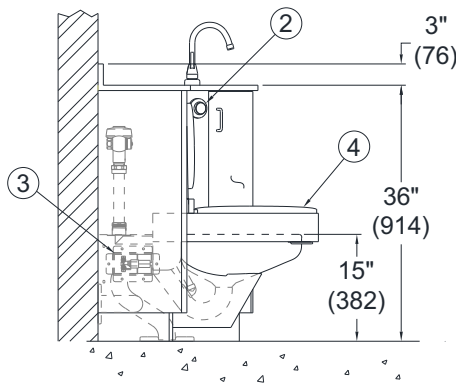
(L.H. Unit Shown - R.H. Unit Opposite)



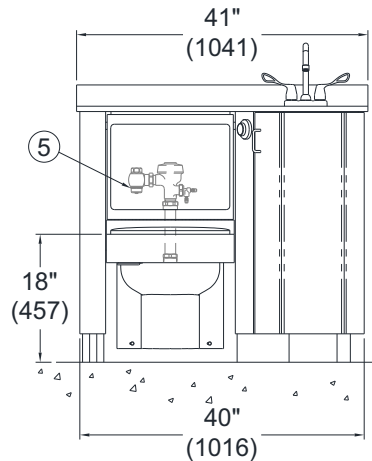
MODEL# 4042-L-3-FCI



MODEL# 4042-L-1-FCI



SIDE VIEW



FRONT VIEW

NOTES:

1. Extended Cabinet
2. Flush Valve Pushbutton
3. -FCI Switch/Control Assy
4. Pivoting Toilet Cover
5. Hydraulic Flush Valve (Located in Stationary Cabinet)

NOTE: Infectious Control Flush (-FCI) is optionally available to minimize the potential for airborne contaminants and exposure to harmful bacteria resulting from Flush Valve activation when Toilet Cover is in the open position. Activation of Toilet Flush will only be possible with Toilet Cover in the closed position. Cabinet size and Flush Valve location changes to accommodate device.

All dimensions are nominal and subject to manufacturer's change without notice. Whitehall assumes no responsibility for use of void or suspended data © Whitehall Manufacturing, Member of Morris Group International. Please visit www.whitehallmfg.com for most current specifications.



MODEL NUMBER AND OPTIONS SELECTION

BASE MODEL NUMBER (Must Specify)

- 4042 41" Wide with Multi-Sided Lavy

TOILET MOUNTING AND WASTE (Must Specify)

- OFFW Off-Floor, Wall Outlet
- ONFF On-Floor, Floor Outlet
- ONFW On-Floor, Wall Outlet

TOILET ORIENTATION (Must Specify)

- L Left Hand Toilet -R Right Hand Toilet

Notes: L (Left) or R (Right) indicates toilet location when facing the fixture. Lavy (Basin) is always located on side opposite the toilet.

BACKSPLASH/CABINET ORIENTATION (Must Specify)

- 1 Back Wall Only (One Wall)
- 2 Right Hand Corner (Two Wall)
- 3 Left Hand Corner (Two Wall)
- 4 Alcove (Three Wall)

FLUSH VALVE SELECTION (Must Specify)

- HET - 1.28 GPF
- ULF - 1.6 GPF (Standard)
- 3.5 GPF

FAUCET SELECTION (Must Specify)

- CSG Centerset Gooseneck Spout w/ Wrist Blade Handles
- SO Sensor Operated Valve
- SO-BAT Sensor Operated Valve-Battery Powered
- VF H & C Foot Pedal Operated Air-Control Valve
- LFN Laminar Flow Nozzle
- LS Lavatory Hose Spray (Not Available w/ -SO)

LAVY (BASIN) OPTIONS

- ESB Embedded Stainless Steel Basin (With -CCT Only) **lp**

STORAGE COMPARTMENT/DIALYSIS BOX

- DB1 Hemo-Dialysis Box, Single Valve- PVC Ball Valve
- DB1SV Hemo-Dialysis Box, Single Valve- S/S Ball Valve w/ T-Handle

COUNTERTOP COLOR SELECTION (Must Specify)

- CCL Corterra® Solid Surface Countertop w/ Integral Backsplash & Lavy (Basin)
 Color: _____
 (Refer to link for colors:
<https://www.whitehallmfg.com/corterra-solid-surface>)

lp

- CCT Corterra® Solid Surface Countertop w/ Integral Backsplash
 Color: _____
 (Refer to link for colors:
<https://www.whitehallmfg.com/corterra-solid-surface>)

lp

- * -CNCT Corian® Countertop
- * -CNCTL Corian® Countertop w/ Integral Contrasting Colored Lavy Bowl (Basin)

- CS Stainless Steel Countertop w/ Integral Backsplash & Lavy (Basin)

- OCR Cast Translucent Resin Countertop w/ Integral Backsplash and Solid Surface Lavy Bowl (Basin)
 Color: _____

(Refer to link for colors:
<https://www.whitehallmfg.com/resin-colors>)

lp

- LCT AMA SteriTouch® Anti-Microbial Additive Less Countertop

CABINET COLOR SELECTION (Must Specify)

lp

- OCP Color Polyethylene Panels
 Color: _____
 (Refer to link for colors:
<https://www.whitehallmfg.com/poly-colors>)

- LCC High Pressure Laminate
 Specify Laminate Manufacturer
 Color: _____

TOILET OPTIONS

lp

- BL Bedpan Lugs
- FCI Infectious Control Flush (Affects Cabinet Size and Rough-in. Refer to Submittal and Installation details.)
- WO3 3" P-Trap (3.5 GPF Only)

PRODUCT OPTIONS

- BWD Bedpan Washer Drain
- EC Extended Countertop
- EG Enviro-Glaze (Lavy Basin Only)
 Color Specify: _____
 (Refer to link for colors:
<https://www.whitehallmfg.com/enviro-glaze>)

- EGE Enviro-Glaze (Toilet Exterior Only)
 Color Specify: _____
 (Refer to link for colors:
<https://www.whitehallmfg.com/enviro-glaze>)

- SUG Swing Up Grab Bar

lp

Infection Prevention option

*

Increased lead time and price

WARNING: Cancer and Reproductive Harm - www.P65Warnings.ca.gov

SELECTION SUMMARY & APPROVAL FOR MANUFACTURING

Model Number & Options _____ Quantity _____
 Company _____ Date _____
 Contact _____ Title _____
 Approval for Manufacturing/Signature _____

All dimensions are nominal and subject to manufacturer's change without notice. Whitehall assumes no responsibility for use of void or superseded data © Whitehall Manufacturing, Member of Morris Group International. Please visit www.whitehallmfg.com for most current specifications.