



**Whitehall
 Bedside Patient
 Care Unit
 40" Wide
 (formerly referred to
 as Versalette)**

Model
4047



4047-L-1-CSG-CCL

Fixture May Show Some Available Options

Cabinet features a heavy duty stainless steel modular frame and includes stainless steel bottom kick plates. Specify cabinet material and color selection. Cabinet doors provide access to the bedpan washer, dialysis box and separate panel for plumbing access. Cabinet includes a pivoting, padded toilet cover and back rest which doubles as a bedside seat. Seat color selection is determined by factory.

Counter has a 3" backsplash. Specify countertop material and color selection.

Lavatory is always located on the opposite side of the toilet.

Toilet is stainless steel, wall mounted siphon jet type with white plastic seat and self-sustaining check hinge. Off-Floor toilet requires wall carrier by others.

Hydraulic Flush Valve is furnished standard with a 1-3/4" diameter, hydraulically actuated, remote pushbutton. Minimum required flow pressure is 25 PSI with a minimum water consumption of 1.28 GPF.

Bedpan Washer is concealed within cabinet and includes a handheld bedpan washer with volume control, positive shut-off and stainless steel hose. **An elevated pressure type vacuum breaker by others is recommended with this selection to prevent back-siphonage or backflow from occurring and possibly contaminating the water supply. Consult local codes and ordinances for requirements.** Optional -BWD Bed Pan Washer Drain is recommended.

Metal Template is provided for ease of installation.

GUIDE SPECIFICATION

Provide and install Whitehall 40" wide Bedside Patient Care Unit (specify model number and options). Cabinet frame shall be heavy duty stainless steel modular frame with stainless steel bottom kick plates. Provide pivoting padded seat cover with back rest, plumbing access and toilet tissue holder. Provide elongated, stainless steel toilet bowl with 1.6 GPF and self-sustaining hinged seat complete with hydraulic flush valve and push button. Concealed bedpan washer cabinet shall include a handheld bedpan washer with positive shut-off and stainless steel hose.

Please visit www.whitehallmfg.com for most current specifications.



Member of U.S. Green Building Council



Recyclable Product

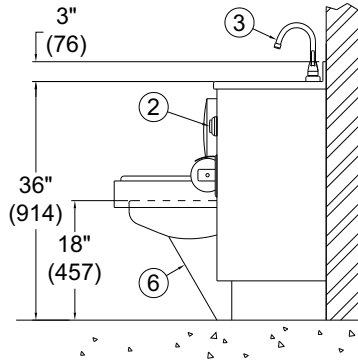
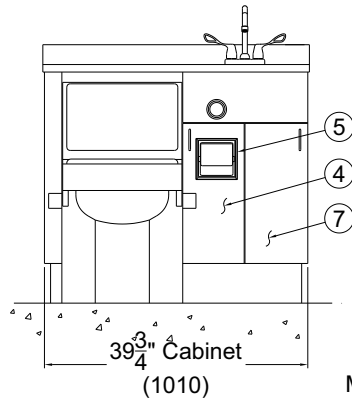
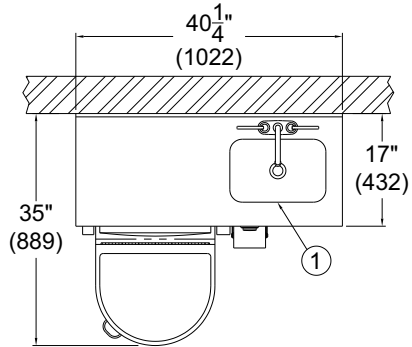


Water Conserving Product

Complies with the following standards:



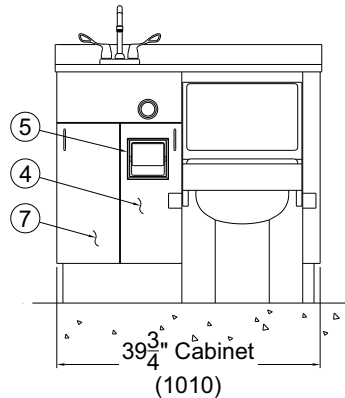
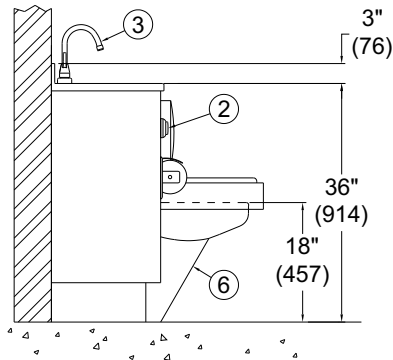
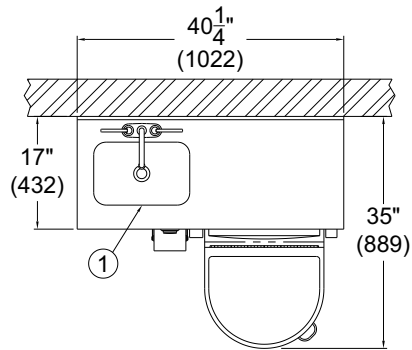
Federal Public Law 111-380 (No Lead)



MODEL #4047-L-1

NOTES:

1. Lavatory (Basin)
2. Flush Valve Pushbutton
3. Lavatory Gooseneck Faucet
4. Bedpan Washer Compartment
5. Toilet Paper Holder
6. Stainless Steel Toilet
7. Dialysis Box Compartment



MODEL #4047-R-1

All dimensions are nominal and subject to manufacturer's change without notice. Whitehall assumes no responsibility for use of void or suspended data © Whitehall Manufacturing, Member of Morris Group International. Please visit www.whitehallmfg.com for most current specifications.



MODEL NUMBER AND OPTIONS SELECTION

BASE MODEL NUMBER (Must Specify)

- 4047 40" Wide

TOILET MOUNTING AND WASTE (Must Specify)

- OFFW Off-Floor, Wall Outlet
- ONFF On-Floor, Floor Outlet
- ONFW On-Floor, Wall Outlet

TOILET ORIENTATION (Must Specify)

- L Left Hand Toilet -R Right Hand Toilet

Notes: L (Left) or R (Right) indicates toilet location in opened position when facing the fixture. Lavy (Basin) is always located on side opposite the toilet.

BACKSPLASH/CABINET ORIENTATION (Must Specify)

- 1 Back Wall Only (One Wall)
- 2 Right Hand Corner (Two Wall)
- 3 Left Hand Corner (Two Wall)
- 4 Alcove (Three Wall)

FLUSH VALVE SELECTION (Must Specify)

- HET - 1.28 GPF
- ULF - 1.6 GPF (Standard)
- 3.5 GPF

FAUCET SELECTION (Must Specify)

- CSG Centerset Gooseneck Spout w/ Wrist Blade Handles
- SO Sensor Operated Valve
- SO-BAT Sensor Operated Valve-Battery Powered
- VF H & C Foot Pedal Operated Air-Control Valve
- LFN Laminar Flow Nozzle
- LS Lavatory Hose Spray (Not Available w/ -SO)

LAVY (BASIN) OPTIONS

- ESB Embedded Stainless Steel Basin (With -CCT Only) **lp**

STORAGE COMPARTMENT/DIALYSIS BOX

- DB1 Hemo-Dialysis Box, Single Valve- PVC Ball Valve
- DB1SV Hemo-Dialysis Box, Single Valve- S/S Ball Valve w/ T-Handle
- DB2 Hemo-Dialysis Box, Dual Valve- PVC Ball Valves
- DB2SV Hemo-Dialysis Box, Dual Valve- S/S Ball Valves w/ T-Handle

COUNTERTOP COLOR SELECTION (Must Specify)

- CCL Corterra® Solid Surface Countertop w/ Integral Backsplash & Lavy (Basin)
 Color: _____
 (Refer to www.whitehallmfg.com for available colors, keyword search: CORTERRA)

lp

- CCT AMA SteriTouch® Anti-Microbial Additive Corterra® Solid Surface Countertop w/ Integral Backsplash
 Color: _____
 (Refer to www.whitehallmfg.com for available colors, keyword search: CORTERRA)

lp

- * -CNCT Corian® Countertop
- * -CNCTL Corian® Countertop w/ Integral Contrasting Colored Lavy Bowl (Basin)

- CS Stainless Steel Countertop w/ Integral Backsplash & Lavy (Basin)

- OCR Cast Translucent Resin Countertop w/ Integral Backsplash and Solid Surface Lavy Bowl (Basin)
 Color: _____

(Refer to www.whitehallmfg.com for available colors, keyword search: RESIN)

lp

- LCT AMA SteriTouch® Anti-Microbial Additive Less Countertop

CABINET COLOR SELECTION (Must Specify)

lp

- OCP Color Polyethylene Panels
 Color: _____
 (Refer to www.whitehallmfg.com for available colors, keyword search: POLYETHYLENE)

- LCC High Pressure Laminate
 Specify Laminate Manufacturer
 Color: _____

TOILET OPTIONS

lp

- BL Bedpan Lugs
- FCI Infectious Control Flush
- WO3 3" P-Trap (3.5 GPF Only)

PRODUCT OPTIONS

- BWD Bedpan Washer Drain
- EC Extended Countertop
- EG Enviro-Glaze Color Specify: _____
 Lavy (Basin) Cabinet Interior
- EGE Enviro-Glaze Color Specify: _____
 Toilet Exterior Only
- SUG Swing Up Grab Bar

lp

Infection Prevention option

*

Increased lead time and price

WARNING: Cancer and Reproductive Harm - www.P65Warnings.ca.gov

SELECTION SUMMARY & APPROVAL FOR MANUFACTURING

Model Number & Options _____ Quantity _____
 Company _____ Date _____
 Contact _____ Title _____
 Approval for Manufacturing/Signature _____

All dimensions are nominal and subject to manufacturer's change without notice. Whitehall assumes no responsibility for use of void or superseded data © Whitehall Manufacturing, Member of Morris Group International. Please visit www.whitehallmfg.com for most current specifications.