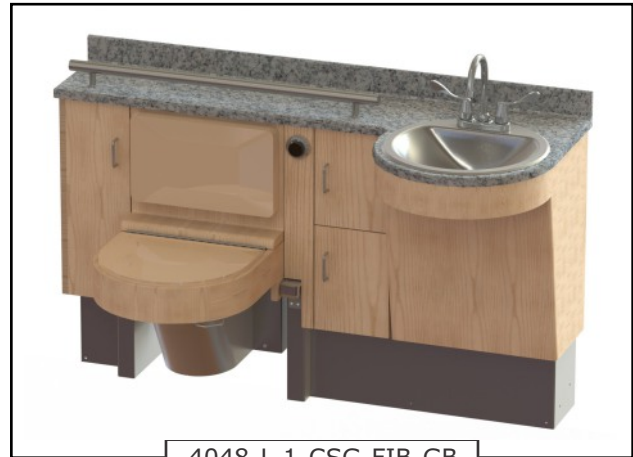




**Whitehall  
 Bedside Patient  
 Care Unit  
 58-7/8" Wide  
 (formerly referred to  
 as Versalette)**

Model  
**4048**



4048-L-1-CSG-FIB-GB

Fixture May Show Some Available Options

**Cabinet** features a heavy duty stainless steel modular frame and includes stainless steel bottom kick plates. Specify cabinet material and color selection. Cabinet doors provide access to the bedpan washer, dialysis box and separate panel for plumbing access. Cabinet includes a pivoting, padded toilet cover and back rest that doubles as a bedside seat. Seat color selection is determined by factory.

**Counter** has a 3" backsplash. Specify countertop material and color selection.

**Lavatory** is always located on the opposite side of the toilet.

**Toilet** is stainless steel, wall mounted siphon jet type with white plastic seat and self-sustaining check hinge.

**Hydraulic Flush Valve** is furnished standard with a 1-3/4" diameter, hydraulically actuated, remote pushbutton. Minimum required flow pressure is 25 PSI with a minimum water consumption of 1.28 GPF.

**Bedpan Washer** is concealed within cabinet and includes a handheld bedpan washer with volume control, positive shut-off and stainless steel hose. **An elevated pressure type vacuum breaker by others is recommended with this selection to prevent back-siphonage or backflow from occurring and possibly contaminating the water supply. Consult local codes and ordinances for requirements.** Optional -BWD Bed Pan Washer Drain is recommended.

**Metal Template** is provided for ease of installation.

**GUIDE SPECIFICATION**

Provide and install Whitehall 58-7/8" wide Bedside Patient Care Unit (specify model number and options). Cabinet frame shall be heavy duty stainless steel modular frame with stainless steel bottom kick plates. Provide pivoting padded seat cover with back rest, plumbing access and toilet paper holder. Provide elongated, stainless steel toilet bowl with 1.6 GPF and self-sustaining hinged seat complete with hydraulic flush valve and push button. Concealed bedpan washer cabinet shall include a handheld bedpan washer with positive shut-off and stainless steel hose.

Please visit [www.whitehallmfg.com](http://www.whitehallmfg.com) for most current specifications.



Member of  
U.S. Green  
Building  
Council



Recyclable  
Product

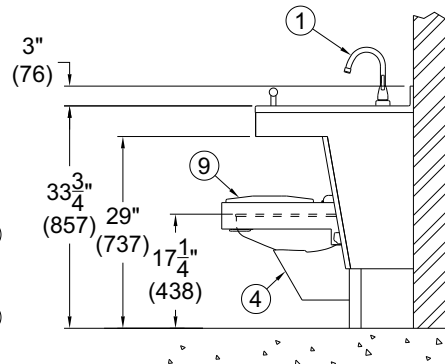
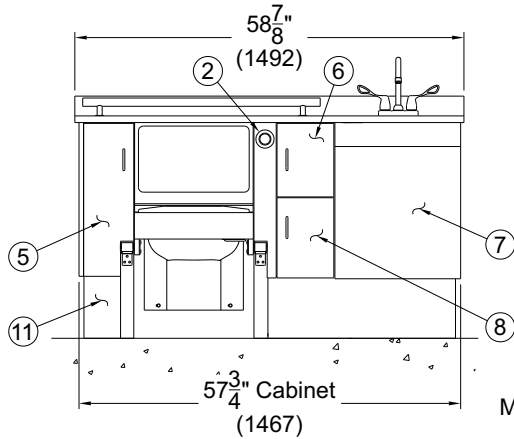
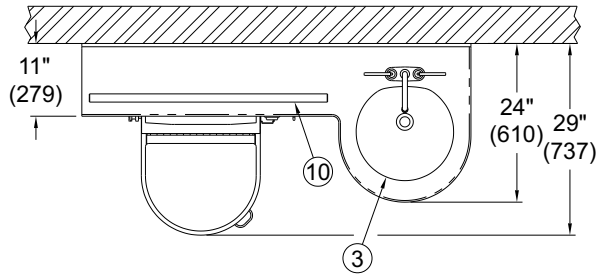


Water  
Conserving  
Product

Complies  
with the  
following  
standards:



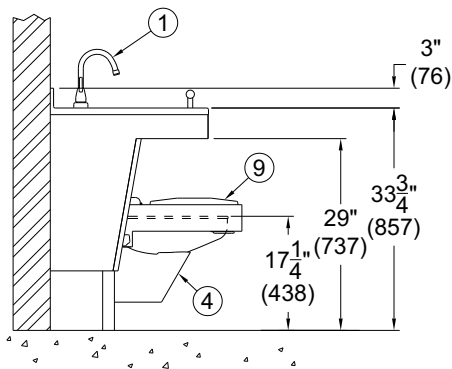
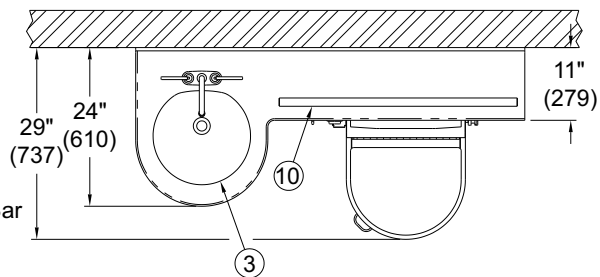
Federal  
Public Law  
111-380  
(No Lead)



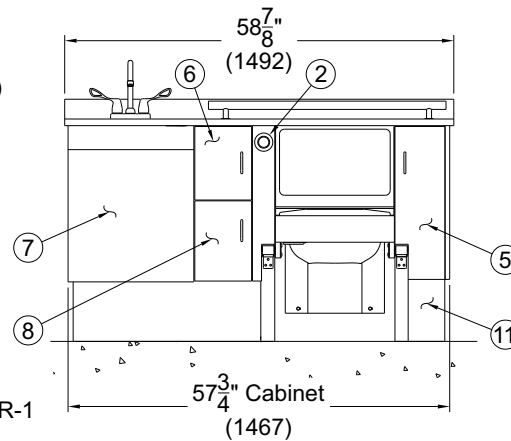
MODEL # 4048-L-1

NOTES:

1. Lavatory Gooseneck Faucet
2. Flush Valve Pushbutton
3. Lavatory (Basin)
4. Stainless Steel Toilet
5. Bedpan Washer Compartment
6. Paper Holder Compartment
7. Plumbing Access Compartment
8. Dialysis Box Compartment
9. Removable Padded Toilet Cover
10. Optional 36" Stainless Steel Grab Bar
11. Stainless Steel Kick Panel



MODEL # 4048-R-1



All dimensions are nominal and subject to manufacturer's change without notice. Whitehall assumes no responsibility for use of void or suspended data © Whitehall Manufacturing, Member of Morris Group International. Please visit [www.whitehallmfg.com](http://www.whitehallmfg.com) for most current specifications.



**MODEL NUMBER AND OPTIONS SELECTION**

**BASE MODEL NUMBER (Must Specify)**

- 4048 58-7/8" Wide

**TOILET MOUNTING AND WASTE (Must Specify)**

- OFFW Off-Floor, Wall Outlet
- ONFF On-Floor, Floor Outlet
- ONFW On-Floor, Wall Outlet

**TOILET ORIENTATION (Must Specify)**

- L Left Hand Toilet  -R Right Hand Toilet

**Notes:** L (Left) or R (Right) indicates toilet location in opened position when facing the fixture. Lavy (Basin) is always located on side opposite the toilet.

**BACKSPLASH/CABINET ORIENTATION (Must Specify)**

- 1 Back Wall Only (One Wall)
- 2 Right Hand Corner (Two Wall)
- 3 Left Hand Corner (Two Wall)
- 4 Alcove (Three Wall)

**FLUSH VALVE SELECTION (Must Specify)**

- HET - 1.28 GPF
- ULF - 1.6 GPF (Standard)
- 3.5 GPF

**FAUCET SELECTION (Must Specify)**

- CSG Centerset Gooseneck Spout w/ Wrist Blade Handles
- SO Sensor Operated Valve
- SO-BAT Sensor Operated Valve-Battery Powered
- VF H & C Foot Pedal Operated Air-Control Valve
- LFN Laminar Flow Nozzle
- LS Lavatory Hose Spray (Not Available w/ -SO)

**LAVY (BASIN) OPTIONS**

- ESB Embedded Stainless Steel Basin (With -CCT Only) **lp**

**STORAGE COMPARTMENT/DIALYSIS BOX**

- DB1 Hemo-Dialysis Box, Single Valve- PVC Ball Valve
- DB1SV Hemo-Dialysis Box, Single Valve- S/S Ball Valve w/ T-Handle
- DB2 Hemo-Dialysis Box, Dual Valve- PVC Ball Valves
- DB2SV Hemo-Dialysis Box, Dual Valve- S/S Ball Valves w/ T-Handle
- SS Storage Shelf

**COUNTERTOP COLOR SELECTION (Must Specify)**

- CCL Corterra® Solid Surface Countertop w/ Integral Backsplash & Lavy (Basin)  
 Color: \_\_\_\_\_  
 (Refer to [www.whitehallmfg.com](http://www.whitehallmfg.com) for available colors, keyword search: CORTERRA)



- CCT AMA SteriTouch® Anti-Microbial Additive Corterra® Solid Surface Countertop w/ Integral Backsplash  
 Color: \_\_\_\_\_

(Refer to [www.whitehallmfg.com](http://www.whitehallmfg.com) for available colors, keyword search: CORTERRA)



- \*  -CNCT Corian® Countertop
- CS Stainless Steel Countertop w/ Integral Backsplash & Lavy (Basin)

- OCR Cast Translucent Resin Countertop w/ Integral Backsplash and Solid Surface Lavy Bowl (Basin)  
 Color: \_\_\_\_\_

(Refer to [www.whitehallmfg.com](http://www.whitehallmfg.com) for available colors, keyword search: RESIN)



- LCT AMA SteriTouch® Anti-Microbial Additive Less Countertop

**CABINET COLOR SELECTION (Must Specify)**



- OCP Color Polyethylene Panels  
 Color: \_\_\_\_\_

(Refer to [www.whitehallmfg.com](http://www.whitehallmfg.com) for available colors, keyword search: POLYETHYLENE)

- LCC High Pressure Laminate  
 Specify Laminate Manufacturer  
 Color: \_\_\_\_\_

**TOILET OPTIONS**

- BL Bedpan Lugs
- FCI Infectious Control Flush
- WO3 3" P-Trap (3.5 GPF Only)

**PRODUCT OPTIONS**

- BWD Bedpan Washer Drain
- EC Extended Countertop
- EG Enviro-Glaze Color Specify: \_\_\_\_\_  
 Lavy (Basin)  Cabinet Interior
- EGE Enviro-Glaze Color Specify: \_\_\_\_\_  
 Toilet Exterior Only
- GB 36" Grab Bar (Mounted On Counter Above Toilet)
- SUG Swing Up Grab Bar



Infection Prevention option



Increased lead time and price

**WARNING:** Cancer and Reproductive Harm - [www.P65Warnings.ca.gov](http://www.P65Warnings.ca.gov)

**SELECTION SUMMARY & APPROVAL FOR MANUFACTURING**

Model Number & Options \_\_\_\_\_ Quantity \_\_\_\_\_  
 Company \_\_\_\_\_ Date \_\_\_\_\_  
 Contact \_\_\_\_\_ Title \_\_\_\_\_  
 Approval for Manufacturing/Signature \_\_\_\_\_

All dimensions are nominal and subject to manufacturer's change without notice. Whitehall assumes no responsibility for use of void or superseded data © Whitehall Manufacturing, Member of Morris Group International. Please visit [www.whitehallmfg.com](http://www.whitehallmfg.com) for most current specifications.