



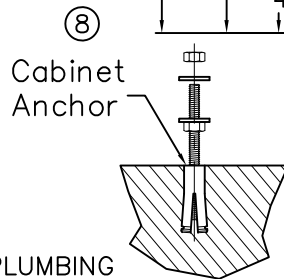
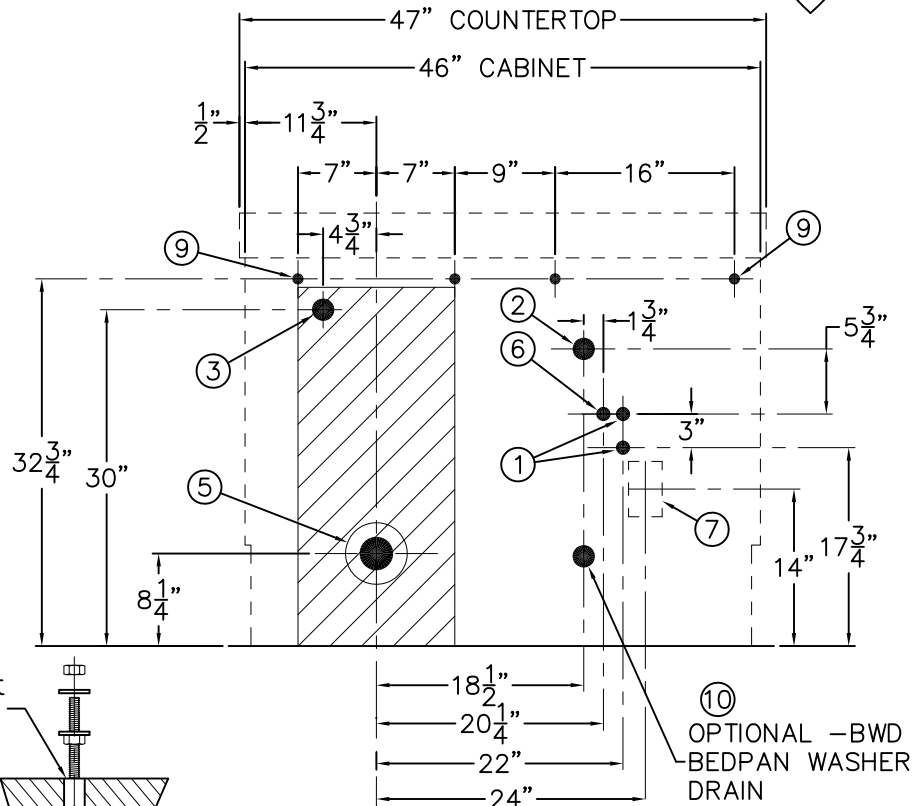
REFERENCE DRAWINGS	
ASSEMBLY	NUMBER
-DB DIALYSIS ROUGHS	9915-121-001
TOILET INSTALLATION	9915-124-001
BEDPAN WASHER INSTALL	9915-119-001
SEAT COVER INSTALLATION	9915-173-001

NOTE: CLEAR OPENING FOR ALCOVE UNITS IS 47" WIDE PLUS 1/16" ON EACH SIDE.

NOTE: FLOOR AND WALLS MUST BE STRAIGHT AND PLUMB / SQUARE IN ORDER TO PREVENT DEFORMATION OF CABINET AND MALFUNCTION OF TOILET ASSEMBLY.

NOTE: LAVATORY ROUGH-IN DIMENSIONS REMAIN THE SAME REGARDLESS OF COUNTERTOP OR BOWL MATERIAL.

NOTE: ALL SUPPLY INLETS TO BE INSTALLED WITH INSTALLER PROVIDED STOPS OR ANGLE STOPS.



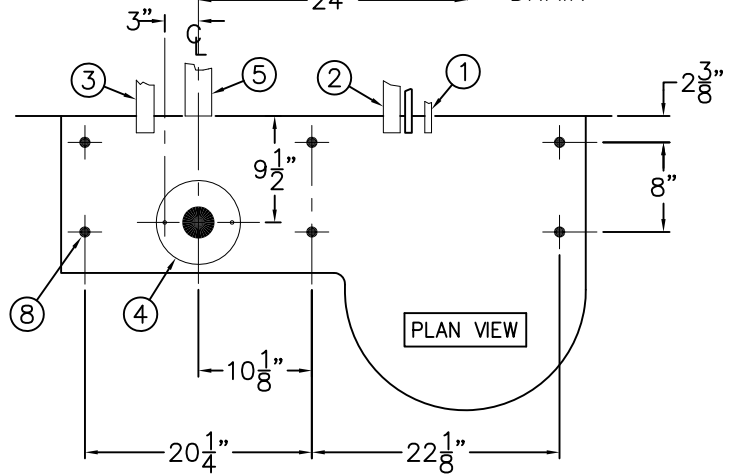
INSTALLATION INSTRUCTIONS:

A- ROUGH-IN FOR THE FOLLOWING PLUMBING CONNECTIONS:

- 1/2" IPS FEMALE LAVATORY VALVE SUPPLIES (1).
- 1-1/2" OD LAVATORY WASTE OUTLET (2) FOR SLIP JOINT CONNECTION.
- 1" NPT (3) FLUSH VALVE INLET.
- TOILET WASTE: FLOOR OUTLET (4) 7-1/2" RECESSED GASKET SEAT WITH 5/16" DIA. HOLES ON 6" CENTERS FOR FLOOR WASTE OUTLET. WALL OUTLET (5) 5-1/2" GASKETED WASTE. OPTIONAL -WO3 3" IPS WASTE. CARRIER AND CARRIER STUDS BY OTHERS.
- 3/8" NPT BEDPAN WASHER INLET (6) FROM VACUUM BREAKER BY OTHERS; ACORN RECOMMENDS A PRESSURE TYPE VACUUM BREAKER FOR BACKFLOW PREVENTION. FOLLOW LOCAL CODES FOR INSTALLATION OF BACKFLOW PREVENTION DEVICE. OPTIONAL -BWD 1-1/2" O.D BEDPAN WASHER DRAIN OUTLET (10) FOR SLIP JOINT CONNECTION.
- -SO OPTION: 110VAC/60Hz/3 AMPS MAX. ELECTRICAL RECEPTACLE (7) FOR 24VAC PLUG-IN TRANSFORMER. NOTE: RECEPTACLE SHOULD BE A GFI PROTECTED CIRCUIT.

B- LAYOUT ANCHOR PATTERN ON FLOOR AND DRILL:

- (6) CABINET ANCHORS (8) DRILL HOLES 1" DEEP MINIMUM X 3/8" DIAMETER.



ROUGH-IN IS SHOWN FOR L.H. MODEL / R.H. MODEL IS OPPOSITE

- C- PROVIDE ADEQUATE WALL BACKING AND LAYOUT
- (4) ANCHOR PATTERN (9) ON WALL FOR 1/4" WALL FASTENERS BY OTHERS.

NOTE: LIGHTWEIGHT CONCRETE OFTEN DOES NOT PROVIDE SUFFICIENT STRENGTH TO HOLD THE ANCHORS FURNISHED. 3/8" UNC STUDS, NUTS, WASHERS AND ANGLE IRON BY OTHERS IS RECOMMENDED TO SECURE FIXTURE TO FLOOR IF SLAB IS LESS THAN 4" THICK OR IS "LIGHTWEIGHT".



WHITEHALL MANUFACTURING
P.O. BOX 3527 Industry, CA 91744
15125 Proctor Ave Industry, CA 91746
(626) 968-6681 FAX (626) 855-4862

TITLE

VERSALETTE ROUGH-IN & ANCHOR INSTRUCTIONS #409

MANUFACTURE DATE

**APRIL, 2001
TO PRESENT**

DATE ISSUED

03/26/08

DATE REVISED

06/05/14

DRAWING NUMBER

9915-120-001

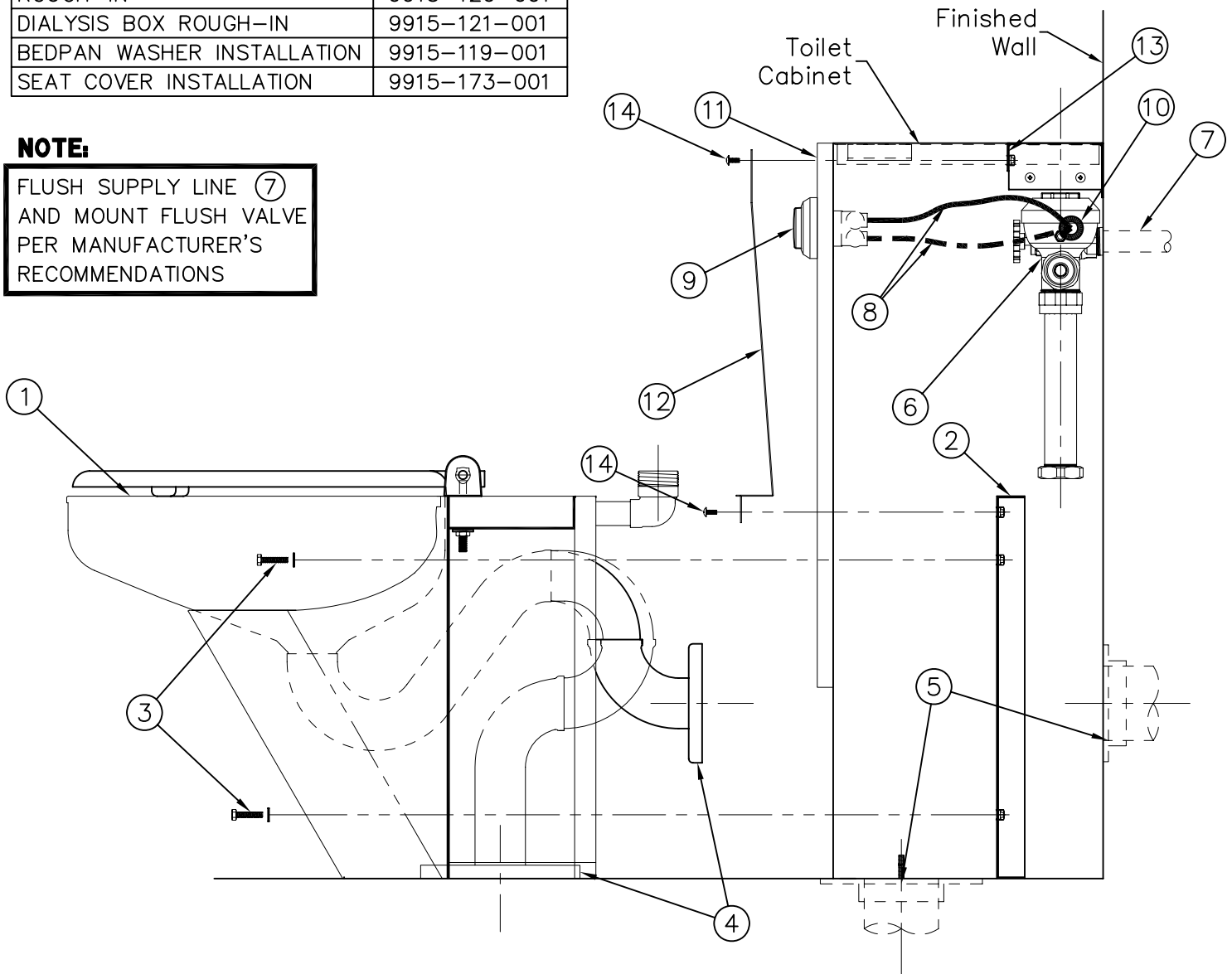


REFERENCE DRAWINGS:

ROUGH-IN	9915-120-001
DIALYSIS BOX ROUGH-IN	9915-121-001
BEDPAN WASHER INSTALLATION	9915-119-001
SEAT COVER INSTALLATION	9915-173-001

NOTE:

FLUSH SUPPLY LINE (7) AND MOUNT FLUSH VALVE PER MANUFACTURER'S RECOMMENDATIONS



INSTALLATION INSTRUCTIONS

- A-INSTALL TOILET ASSEMBLY (1) TO TOILET SPACER (2) WITH (4) WASHERS AND (4) 1/4" HEX HEAD BOLTS (3).
- B-CONNECT WASTE OUTLET CONNECTION (4) TO FLOOR WASTE OR WALL WASTE ADAPTERS (5) BY OTHERS.
- C-INSTALL HYDRAULIC FLUSH VALVE (6) TO TOILET ASSEMBLY (1) AND CONNECT FLUSH VALVE SUPPLY (7).
- D-WITH COUNTERTOP (NOT SHOWN) STILL REMOVED CONNECT HYDRAULIC LINES (8) TO PUSHBUTTON (9).

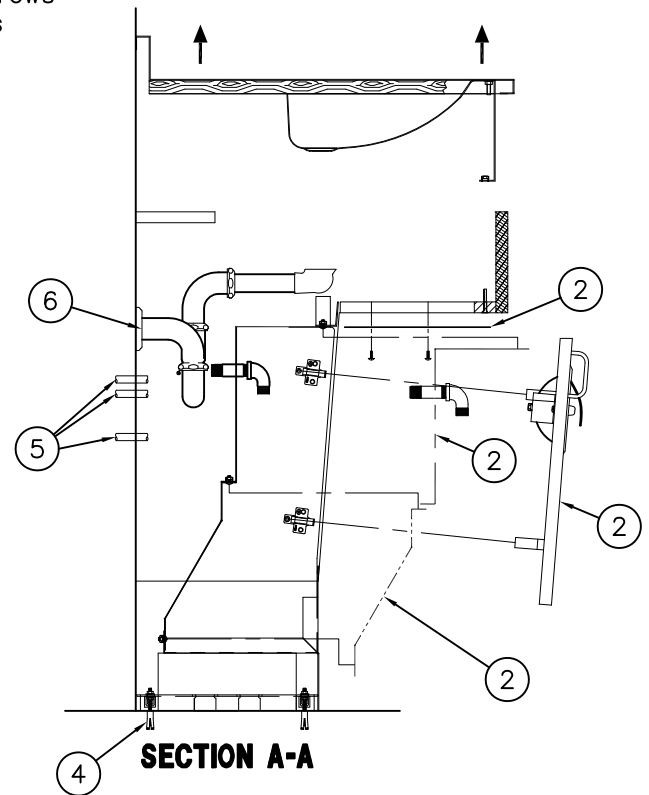
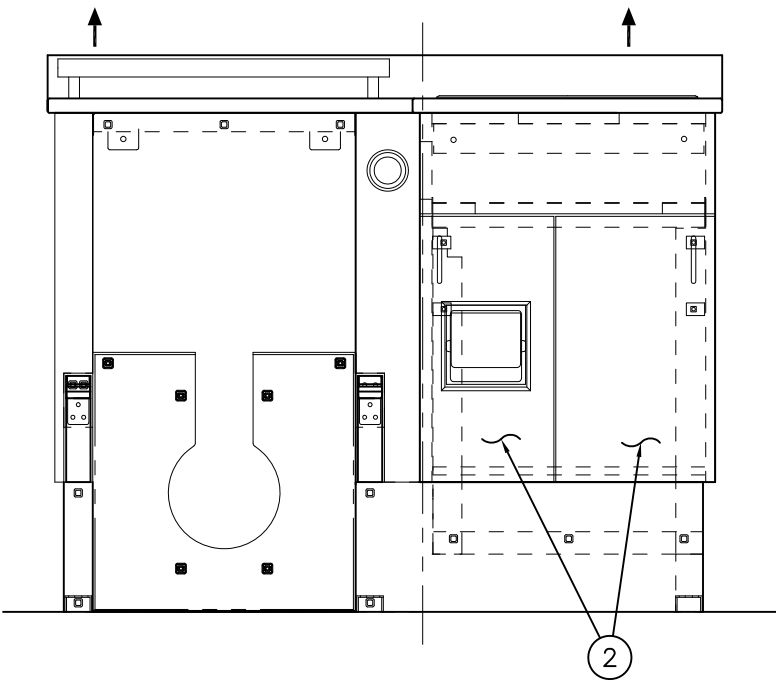
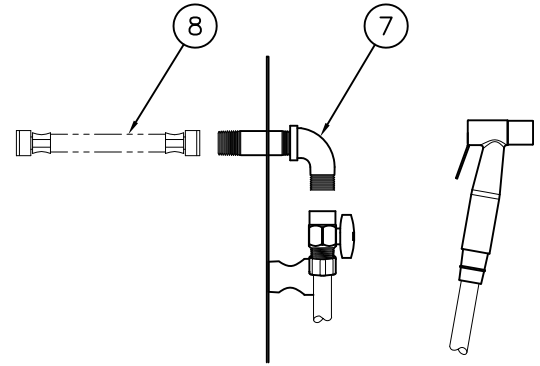
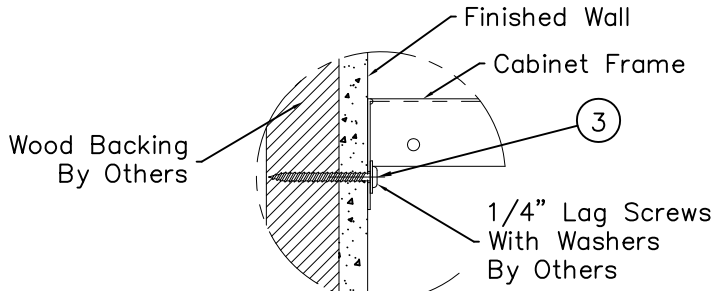
- E-RUN HYDRAULIC LINES (9) THROUGH RUBBER GROMMET (10) AND CONNECT TO FLUSH VALVE PER MANUFACTURER'S INSTRUCTIONS (LEAVING BULK OF HYDRAULIC LINES IN BEHIND PUSHBUTTON PANEL (11) WITHOUT KINKING HYDRAULIC LINES).
- F-INSTALL FLUSH VALVE COVER (12) TO TOILET SPACER (2) AND TOP MOUNTING CHANNEL (13) USING 10-32 PHILLIPS HEAD MACHINE SCREWS (14).

<p>WHITEHALL MANUFACTURING P.O. BOX 3527 Industry, CA 91744 15125 Proctor Ave Industry, CA 91746 (626) 968-6681 FAX (626) 855-4862</p>	TITLE	
	VERSALETTE #4049 TOILET AND FLUSH VALVE INSTALLATION	
	MANUFACTURE DATE	DATE ISSUED
JUNE 2008	02/04/09	9915-124-001
PRESENT	DATE REVISED	
	04/11/12	



REFERENCE DRAWINGS

ROUGH-INS	9915-120-001
-DB DIALYSIS ROUGHS	9915-121-001
TOILET INSTALLATION	9915-124-001
SEAT COVER INSTALLATION	9915-173-001



INSTALLATION INSTRUCTIONS:

- A- REMOVE PATIENT CARE UNIT FROM SHIPPING PALLET.
- B- REMOVE COUNTERTOP (1) AND ACCESS DOORS AND PANELS (2).
- C- ANCHOR TO WALL AND FLOOR. WALL ANCHORS AND ANCHORING HARDWARE PROVIDED BY OTHERS (3). FLOOR ANCHORS AND ANCHORING HARDWARE (4) PROVIDED BY ACORN.
- D- MAKE UP SUPPLY (5) AND WASTE (6) CONNECTIONS.
- E- RE-INSTALL COUNTERTOP (1).

- F- INSTALL BEDPAN WASHER SUPPLY ADAPTER (7) WITH FLEXIBLE HOSE (8) BY OTHERS MAKING UP CONNECTIONS TO VACUUM BREAKER BY OTHERS; ACORN RECOMMENDS A PRESSURE TYPE VACUUM BREAKER FOR BACKFLOW PREVENTION. FOLLOW LOCAL CODES FOR INSTALLATION OF BACKFLOW PREVENTION DEVICE.
- G- TEST FOR PROPER OPERATION AND RE-INSTALL ACCESS PANELS (2).

WHITEHALL MANUFACTURING
 P.O. BOX 3527 Industry, CA 91744
 15125 Proctor Ave Industry, CA 91746
 (626) 968-6681 FAX (626) 855-4862

TITLE **VERSALETTE MODEL #4049 INSTALLATION**

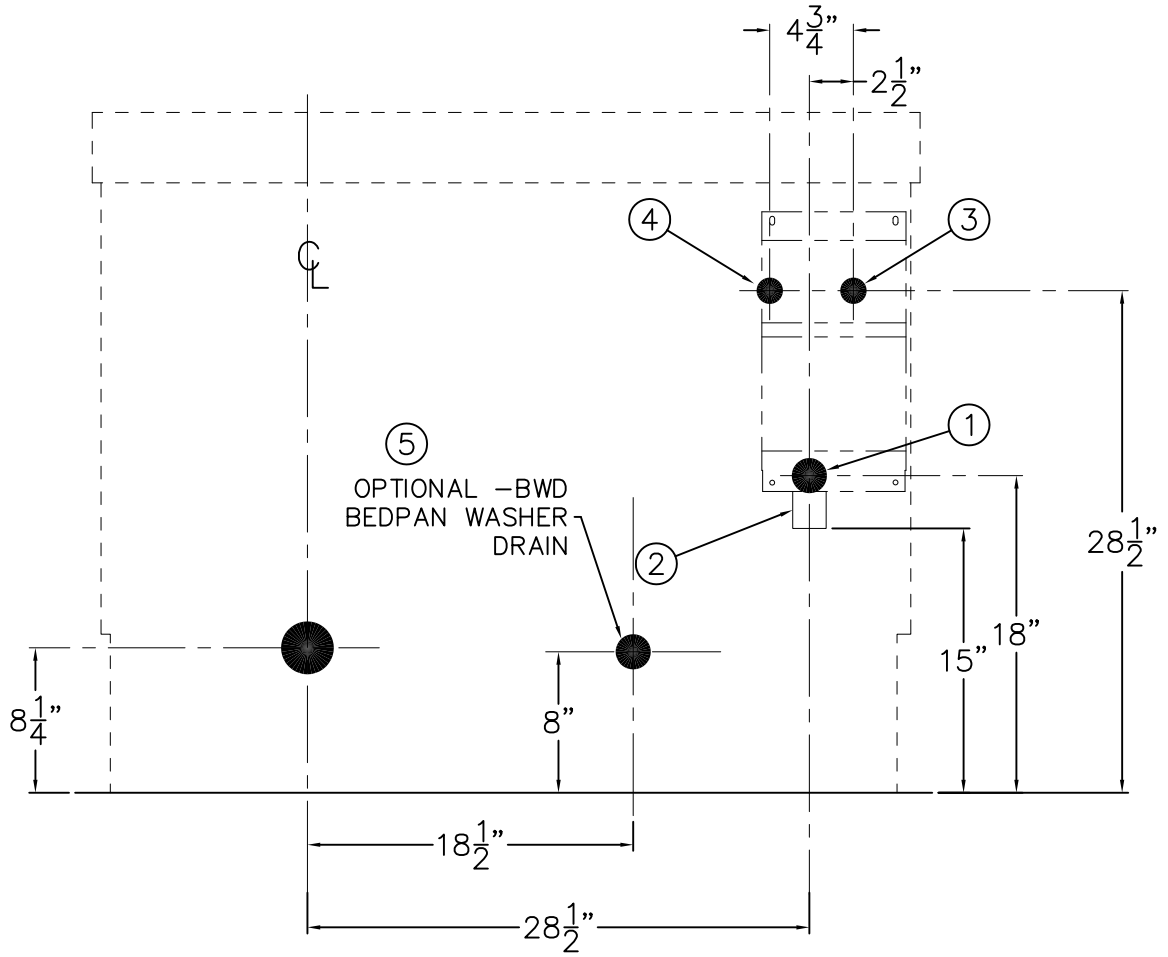
MANUFACTURE DATE
OCTOBER 1999
TO PRESENT

DATE ISSUED
02/04/09
 DATE REVISED
09/22/15 A

DRAWING NUMBER
9915-119-001



REFERENCE DRAWINGS	
ROUGHS	9915-120-001
TOILET INSTALL INSTR	9915-125-001
BEDPAN WASHER INSTALL	9915-119-001
SEAT COVER INSTALL	9915-173-001



**ROUGH-IN IS SHOWN FOR
L.H. MODEL / R.H. MODEL IS OPPOSITE**

**OPTIONAL -DB & -BWD ROUGH-IN FOR THE
FOLLOWING:**


● WALL WASTE (1) FOR P-TRAP BY OTHERS TO CONNECT 1-1/2" OD STAINLESS STEEL DIALYSIS TAILPIECE WASTE OUTLET (2).

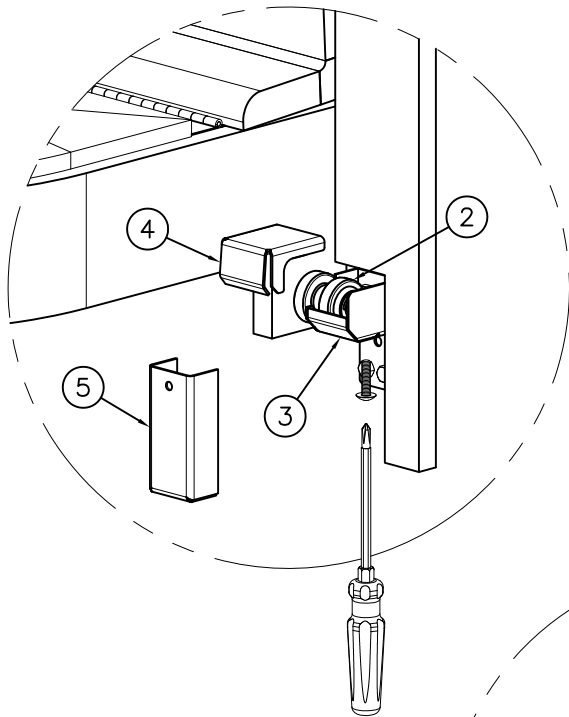
SINGLE VALVE: 1/2" NPT (3) SUPPLY INLET. EXTENDING 9-1/2" FROM WALL TO INLET.

DOUBLE VALVE: 1/2" NPT (4) SUPPLY INLET. EXTENDING 9-1/2" FROM WALL TO INLET.

OPTIONAL -BWD 1-1/2" O.D BEDPAN WASHER DRAIN OUTLET (5) FOR SLIP JOINT CONNECTION.

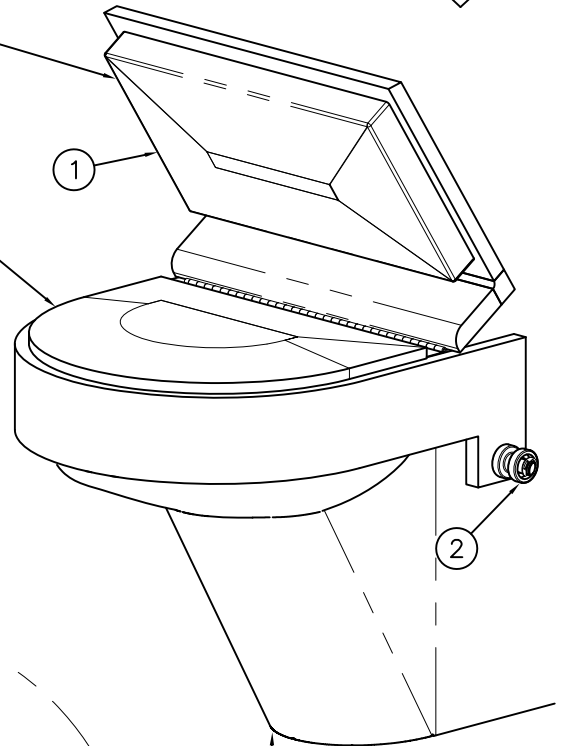
REFER TO DRAWING #9915-120-001 FOR COMPLETE ROUGH-IN INFORMATION.

 WHITEHALL MANUFACTURING P.O. BOX 3527 Industry, CA 91744 15125 Proctor Ave Industry, CA 91746 (626) 968-6681 FAX (626) 855-4862	TITLE VERSALETTE #4049 -DB DIALYSIS & -BWD BEDPAN WASHER DRAIN ROUGH-IN		
	MANUFACTURE DATE APRIL, 2001 TO PRESENT	DATE ISSUED 12/12/07	DRAWING NUMBER 9915-121-001
		DATE REVISED 09/22/11	

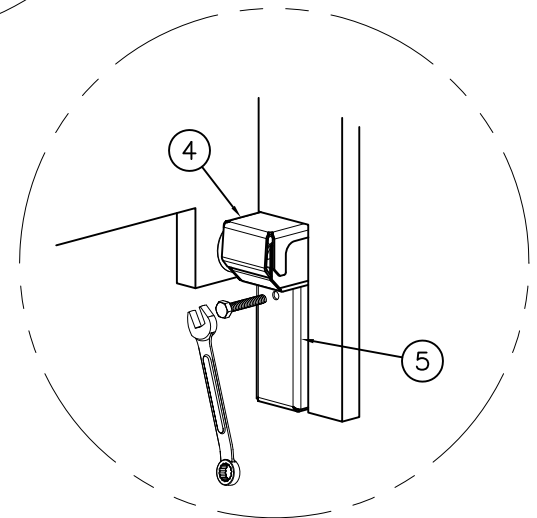
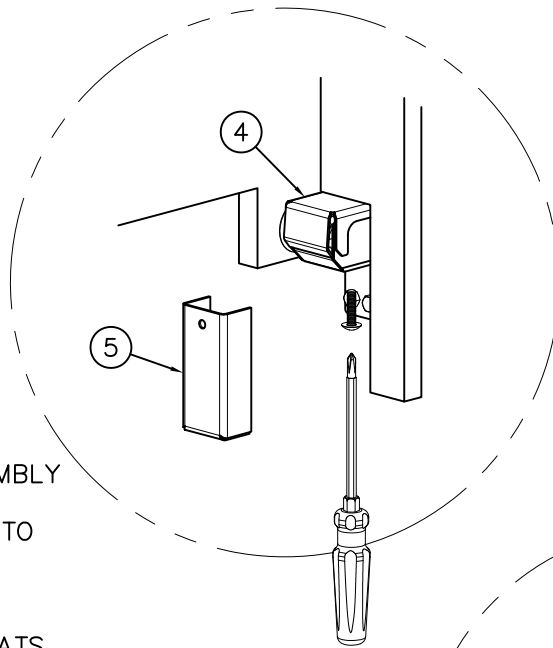


BACK CUSHION ASSEMBLY

SEAT CUSHION ASSEMBLY



FIXTURE STAINLESS STEEL TOILET SHOWN



INSTALLATION INSTRUCTIONS:

- A- FOLD SEAT & BACK CUSHION ASSEMBLY ① TOGETHER WHILE ALIGNING AND ENGAGING ROLLER BEARINGS ② INTO ROLLER BEARING SEATS ③ ON FIXTURE.
- B- FULLY ENGAGE ROLLER BEARING SEATS ③ WHILE MAINTAINING SEAT FOLDED POSITION.
- C- INSTALL BOTH BEARING SEAT TOP COVERS ④ WITH #10-32 X 1-1/4" LONG SCREWS PROVIDED.
- D- INSTALL BOTH BEARING SEAT BOTTOM COVERS ⑤ WITH FASTENERS PROVIDED.
- E- RELEASE BACK CUSHION PANEL ①. CUSHION PANEL SHOULD COME TO REST ON FRONT EDGE OF FIXTURE COUNTERTOP.



WHITEHALL MANUFACTURING
P.O. BOX 3527 Industry, CA 91744
15125 Proctor Ave Industry, CA 91746
(626) 968-6681 FAX (626) 855-4862

TITLE **VERSALETTE SEAT & BACK CUSHION INSTALLATION**

MANUFACTURE DATE
MARCH, 2007
TO PRESENT

DATE ISSUED
03/25/08
DATE REVISED
10/16/08

DRAWING NUMBER
9915-173-001