



**Whitehall  
 Swing Out Door  
 Bedside Patient  
 Care Unit  
 (formerly referred to  
 as Swingette)**

Model  
**4050, 4055**



4050-R-CSG-FIB

Fixture May Show Some Available Options

**Cabinet** consists of a stationary wall section and a hinged lavatory section which conceals the toilet. A latch is provided to lock the lavatory cabinet in the open or closed position. Cabinet frame requires floor and wall anchoring. The wall section has a front access panel and a removable top for easy installation and maintenance. Exterior of cabinet is vinylclad aluminum. Specify cabinet color selection.

**Counter** consists of two pieces. Specify countertop material and color selection.

**Lavatory** is located on the swing out countertop.

**Toilet** is stainless steel, blowout jet type with white plastic seat and stainless steel hinge. Toilet operates with a 1.6 GPF flush valve and will withstand a 5,000 pound load without permanent damage.

**Hydraulic Flush Valve** is furnished standard with a 1-3/4" diameter, hydraulically actuated, remote pushbutton. Minimum required flow pressure is 25 PSI with a minimum water consumption of 1.28 GPF.

**Floor Anchors** are seismic rated for CBC category IV structures.

**Metal Template** is provided for ease of installation.

**Optional Bedpan Washer** with extended countertop, is concealed within cabinet and includes a handheld bedpan washer with volume control, positive shut-off and stainless steel hose.

**An elevated pressure type vacuum breaker by others is recommended with this selection to**

**prevent back-siphonage or backflow from occurring and possibly contaminating the water supply. Consult local codes for back flow prevention device requirements.** Optional -BWD Bedpan Washer Drain is recommended.

**GUIDE SPECIFICATION**

Provide and install Whitehall Swing Out Door (specify model number and options). Cabinet frame shall consist of a stationary wall section and a hinged lavatory section which has an arc welded heavy aluminum frame with exposed parts white Enviro-Glaze coated. Exterior of cabinet shall be vinylclad aluminum. A latch shall be provided, which locks the lavatory cabinet in the open or closed position. Provide factory installed toilet paper holder, flush valve, and secured stainless steel panel for access to valves and piping. Cabinet shall provide front toe space. Toilet shall be stainless steel, blowout jet type with elongated bowl. Trap shall pass a 2-1/8" ball. Toilet shall withstand loadings of 5,000 pounds without permanent damage. Provide factory installed white seat and pushbutton operated flush valve with vacuum breaker and checkstop. Toilet to flush with a 1.6 GPF flush valve.

Please visit [www.whitehallmfg.com](http://www.whitehallmfg.com) for most current specifications.

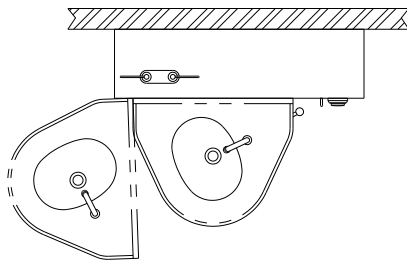
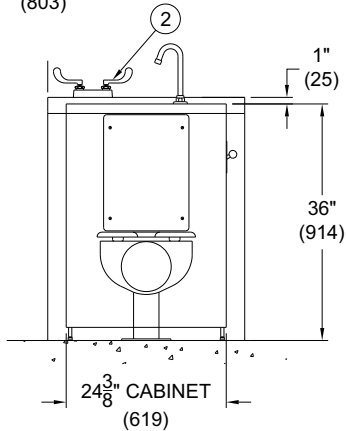
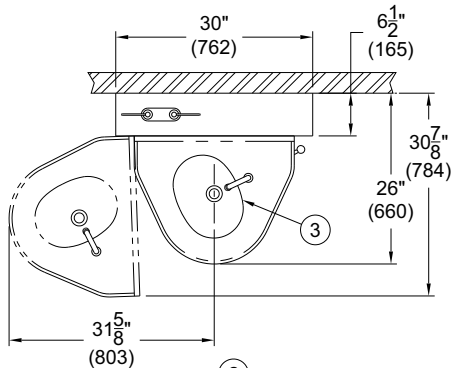


Member of  
U.S. Green  
Building  
Council

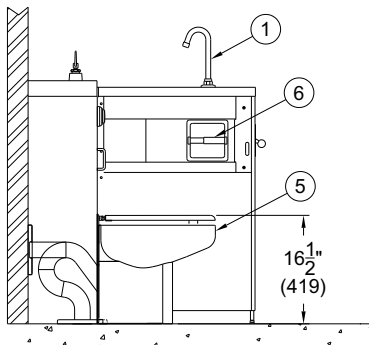


Complies  
with the  
following  
standards:





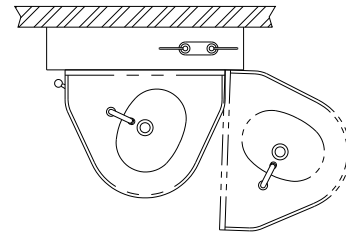
MODEL #4050/4055-L-BW-FCI



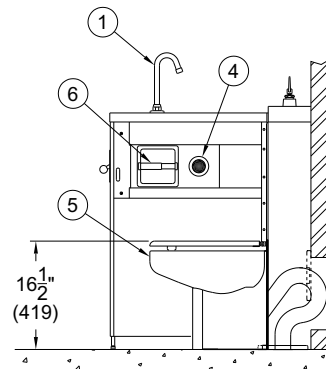
- NOTES:
1. LAVATORY GOOSENECK SPOUT
  2. LAVATORY VALVE w/ WRIST BLADE HANDLES
  3. LAVATORY (BASIN)
  4. EXPOSED HYDRAULIC FLUSH VALVE PUSHBUTTON w/ OPTIONAL -FCI INFECTIOUS CONTROL FLUSH
  5. STAINLESS STEEL TOILET
  6. TOILET PAPER HOLDER
  7. -BW BEDPAN WASHER COMPARTMENT

MODEL #4050/4055-R-BW-FCI

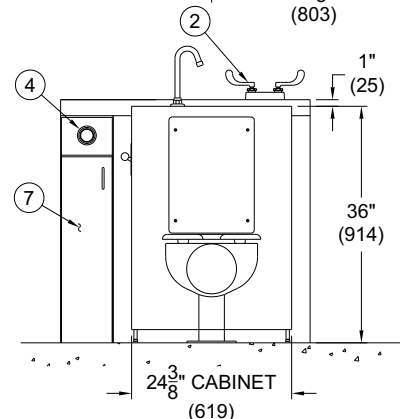
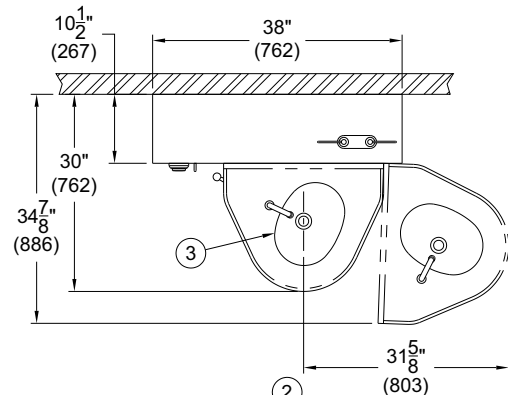
All dimensions are nominal and subject to manufacturer's change without notice. Whitehall assumes no responsibility for use of void or suspended data © Whitehall Manufacturing, Member of Morris Group International. Please visit [www.whitehallmfg.com](http://www.whitehallmfg.com) for most current specifications.



MODEL #4050/4055-R



MODEL #4050/4055-L





**MODEL NUMBER AND OPTIONS SELECTION**

**BASE MODEL NUMBER (Must Specify)**

- 4050 Swing Out Door, Wall Waste Outlet
- 4055 Swing Out Door, Floor Waste Outlet

**TOILET ORIENTATION (Must Specify)**

- L Left Hand Toilet Cabinet
- R Right Hand Toilet Cabinet

**Notes:** -L (Left) or -R (Right) indicates orientation of hinged cabinet location in opened position when facing the fixture.

**CABINET VINYLCLAD ALUMINUM COLOR (Must Specify)**

Color: \_\_\_\_\_  
 (Refer to [www.omnova.com](http://www.omnova.com) for available colors)

**Note:** When wood grain laminate is used, the grain direction will be horizontal.

**FLUSH VALVE SELECTION (Must Specify)**

- 1.28 GPF (HET)
- 1.6 GPF (Not Available in California)
- 3.5 GPF (Not Available in California)

**FAUCET SELECTION (Must Specify)**

- CSG Gooseneck Spout and Wrist Blade Handles
- SO Sensor Operated Valve
- SO-BAT Sensor Operated Valve, Battery Powered
- VF H&C Foot Pedal Operated Air-Control Valve
- LFN Laminar Flow Nozzle
- LS Lavatory Hose Spray (Not Available w/ -SO)

**LAVY (BASIN) OPTIONS**

- ESB Embedded Stainless Steel Basin (With -CCT Only) **lp**

**DIALYSIS BOX**

- DB1 Hemo-Dialysis Box, Single Valve- PVC Ball Valve
- DB1SV Hemo-Dialysis Box, Single Valve- S/S Ball Valve w/ T-Handle
- DB2 Hemo-Dialysis Box, Dual Valve- PVC Ball Valves
- DB2SV Hemo-Dialysis Box, Dual Valve- S/S Ball Valves w/ T-Handle

**BEDPAN WASHER**

- BW Bedpan Washer  
 (extended cabinet width & depth. Refer to Ortho drawing on bottom of page 2 for dimensional details)
- BWD Bedpan Washer Drain

**COUNTERTOP COLOR SELECTION (Must Specify)**

- CCL Corterra® Solid Surface Countertop & Lavy (Basin)  
 Color: \_\_\_\_\_  
 (Refer to [www.whitehallmfg.com](http://www.whitehallmfg.com) for available colors, keyword search: CORTERRA)

**lp**

- CCT Corterra® Solid Surface Countertop  
 Color: \_\_\_\_\_  
 (Refer to [www.whitehallmfg.com](http://www.whitehallmfg.com) for available colors, keyword search: CORTERRA)

**lp**

- \*  -CNCT Corian® Countertop
- \*  -CNCTL Corian® Countertop w/ Integral Contrasting Colored Lavy (Basin)

- CS Stainless Steel Countertop & Lavy (Basin)
- OCR Cast Translucent Resin Countertop and Solid Surface Lavy (Basin)

Color: \_\_\_\_\_  
 (Refer to [www.whitehallmfg.com](http://www.whitehallmfg.com) for available colors, keyword search: RESIN)

**lp**

- LCT AMA SteriTouch® Anti-Microbial Additive Less Countertop

**-DB AND/OR -BW CABINET COLOR SELECTION**

**lp**

- OCP Color Polyethylene Panels  
 Color: \_\_\_\_\_  
 (Refer to [www.whitehallmfg.com](http://www.whitehallmfg.com) for available colors, keyword search: POLYETHYLENE)

- LCC High Pressure Laminate  
 Specify Laminate Manufacturer  
 Color: \_\_\_\_\_

**TOILET OPTIONS**

**lp**

- BL Bedpan Lugs
- FCI Infectious Control Flush
- WO3 3" P-Trap (3.5 GPF Only)

**PRODUCT OPTIONS**

- EC Extended Countertop
- EGE Enviro-Glaze Color Specify: \_\_\_\_\_  
 Toilet Exterior Only
- SUG Swing Up Grab Bar

**lp**

Infection Prevention option

\*

Increased lead time and price

**WARNING:** Cancer and Reproductive Harm - [www.P65Warnings.ca.gov](http://www.P65Warnings.ca.gov)

**SELECTION SUMMARY & APPROVAL FOR MANUFACTURING**

Model Number & Options \_\_\_\_\_ Quantity \_\_\_\_\_  
 Company \_\_\_\_\_ Date \_\_\_\_\_  
 Contact \_\_\_\_\_ Title \_\_\_\_\_  
 Approval for Manufacturing/Signature \_\_\_\_\_

All dimensions are nominal and subject to manufacturer's change without notice. Whitehall assumes no responsibility for use of void or superseded data © Whitehall Manufacturing, Member of Morris Group International. Please visit [www.whitehallmfg.com](http://www.whitehallmfg.com) for most current specifications.