



Whitehall Compact Surgical Scrub Sink ADA Compliant One Station

Model 4121ADA

Please visit www.whitehallmfg.com
for most current specifications.



4121ADA

Fixture May Show Some Available Options

Surgical Scrub Sink is designed for use in health care institutions providing surgeons with a convenient Sink for pre-op scrub up.

Fixture is fabricated from heavy gage, type 304 stainless steel and is seamless welded construction with a satin finish. The Cabinet interior is sound-deadened with a fire-resistant material. The unit is designed to be installed on the wall using a Mounting Carrier.

Scrub Sink is provided with a Front Panel which is easily removed for access to the Water Control Valves, Waste connections, Stops and Strainers. Scrub Sink has a sloping bottom surface to minimize splashing and a 1-1/2" O.D. P-Trap assembly with a 3" flat Strainer Drain.

Backsplash has a Gooseneck Spout assembly with Sprayhead that can be removed for sterilization.

Hands Free Operation includes infrared Sensor located on Back Panel.

T/P Temperature/Pressure Balancing Mixing Valve is located behind the Front Panel and maintains a constant water temperature. This easily adjustable, anti-scald Valve compensates for inlet temperature fluctuation.

Solenoid Valve is a slow-closing, anti-water hammer type.

GUIDE SPECIFICATION

Provide Whitehall ADA Compact Surgical Scrub Sink (specify model number and options). Fixture shall be fabricated from heavy gage, type 304 stainless steel, with seamless welded construction with a satin finish. Cabinet interior shall have a sound deadening, fire-resistant material. Cabinet shall also have removable Front Panel to allow access to Water Control Valves, Waste connections, Stops and Strainers. Sink shall have a sloping bottom to minimize splashing, and a 1-1/2" O.D. P-Trap assembly with a 3" flat Strainer Drain. Gooseneck shall have a removable Sprayhead. Fixture shall have a T/P Temperature/Pressure Balancing Mixing Valve with slow-closing, anti-water hammer Solenoid Valve, Infrared Sensor and Transformer. Transformer must be wired to a GFI protected circuit. Manufacturer shall provide necessary installation instructions.

Please visit www.whitehallmfg.com
for most current specifications.



Member of
U.S. Green
Building
Council



Recyclable
Product





BASE MODEL NUMBER

- 4121ADA Compact Surgical Scrub Sink (1 Station)

MOUNTING

- MC Mounting Carrier

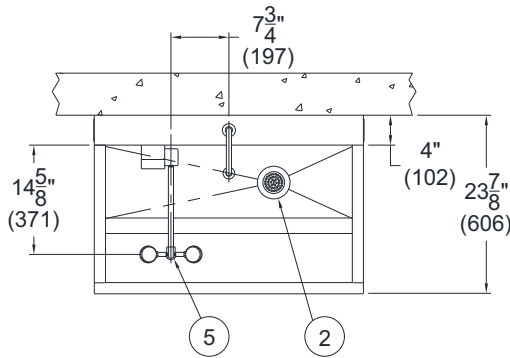
Product Options

- EFW Eye/Face Wash (Must Specify Below)
 - ET71-1 Emergency Fixture Mixing Valve
 - Emergency Mixing Valve By Others
- NOTE:** When specified, ET71-1 Emergency Mixing Valve will be provided
- LFN Laminar Flow Nozzle
- SWV Swivel Nozzle on Gooseneck

Accessories

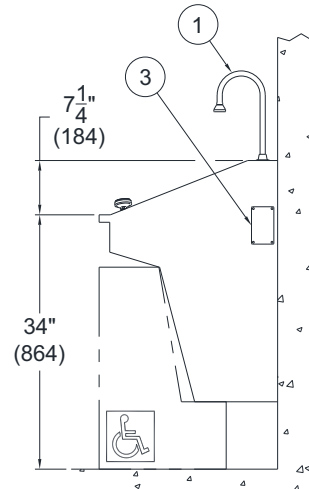
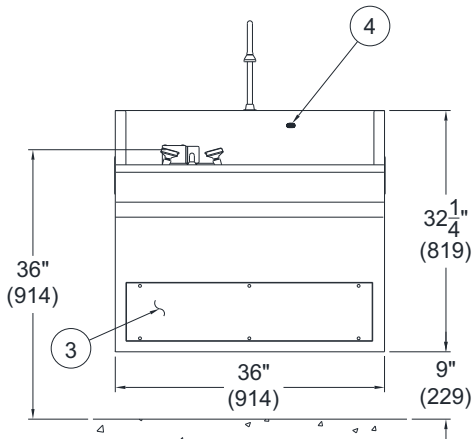
An appropriate Chronomite Instantaneous Tankless Water Heater may be purchased separately to ship with your scrub sink. Contact your sales rep for details or visit www.chronomite.com

Please visit www.whitehallmfg.com for most current specifications.



NOTES:

1. Gooseneck Spout Assembly
2. Flat Strainer Drain
3. Removable Access Panel
4. Infrared Sensor
5. Optional -EFW Eye/Face Wash



MODEL #4121ADA-EFW

WARNING: Cancer and Reproductive Harm - www.P65Warnings.ca.gov

SELECTION SUMMARY & APPROVAL FOR MANUFACTURING

Model Number & Options _____ Quantity _____
 Company _____ Date _____
 Contact _____ Title _____
 Approval for Manufacturing/Signature _____

All dimensions are nominal and subject to manufacturer's change without notice. Whitehall assumes no responsibility for use of void or suspended data © Whitehall Manufacturing, Member of Morris Group International. Please visit www.whitehallmfg.com for most current specifications.