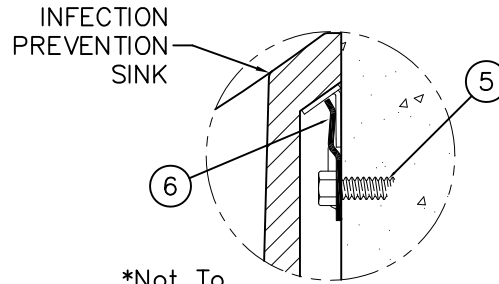
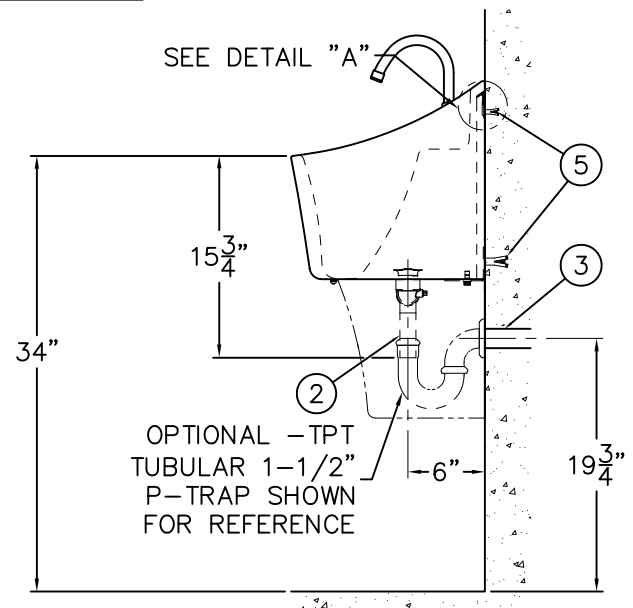
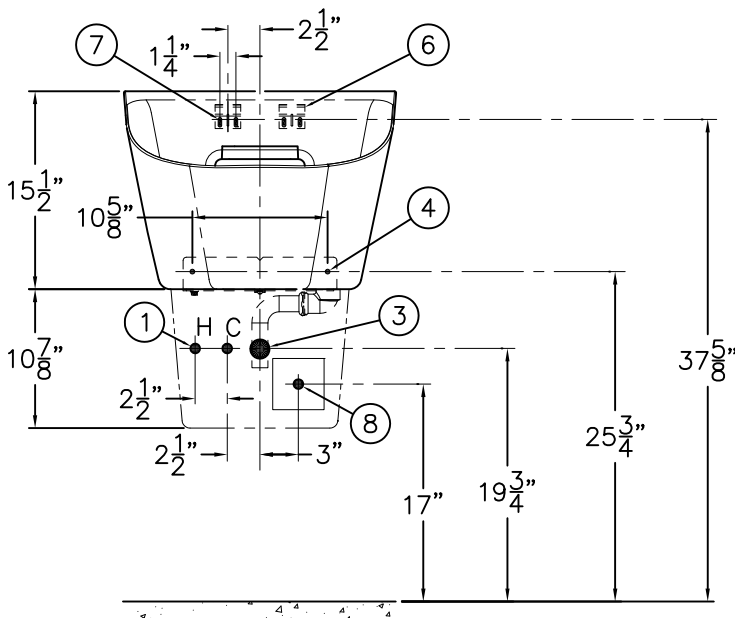


<b>REFERENCE DRAWINGS</b>	
-VF FOOT PEDAL VALVE	9931-002-001



\*Not To Scale

**DETAIL "A"**



**INSTALLATION INSTRUCTIONS:**

A-ROUGH-IN FOR THE FOLLOWING:

- 1/2" NPT HOT AND COLD SUPPLIES (1) BY OTHERS.
- 1-1/4" OD CLOSE ELBOW & TAILPIECE (2) FOR 1-1/2" OD P-TRAP (3) BY OTHERS OR OPTIONAL -TPT TUBULAR P-TRAP
- ø3/8" MOUNTING POINTS (4) ON BRACKET PROVIDED, FOR WALL ANCHORS AND ANCHORING HARDWARE BY OTHERS (5).
- MOUNTING S-CLIPS (6) PROVIDED HAVE (2) ø1/4" x 3/4" (7) SLOTS FOR WALL ANCHORS AND ANCHORING HARDWARE (5) BY OTHERS.

B-LAYOUT AND INSTALL WALL ANCHORS BY OTHERS AND ANCHORING S-CLIP PROVIDED AS INDICATED.

**FOR -SO SENSOR OPERATION**

SUPPLY 120VAC, 60Hz, 3AMP (MAX.) GFCI PROTECTED, ELECTRICAL RECEPTACLE (8).

C- POSITION FIXTURE INTO PLACE AND SECURE TO WALL USING WASHERS AND NUTS BY OTHERS. MAKE UP SUPPLY AND WASTE CONNECTIONS AS REQUIRED.

WARNING: SUPPLY LINES SHOULD BE FLUSHED OF ALL FOREIGN MATERIAL SUCH AS DOPE, CHIPS, SOLDER ETC. VALVE MUST BE DRAINED PRIOR TO BEING SUBJECTED TO FREEZING TEMPERATURES. MAXIMUM RECOMMENDED OUTLET WATER TEMPERATURE IS 105° F.

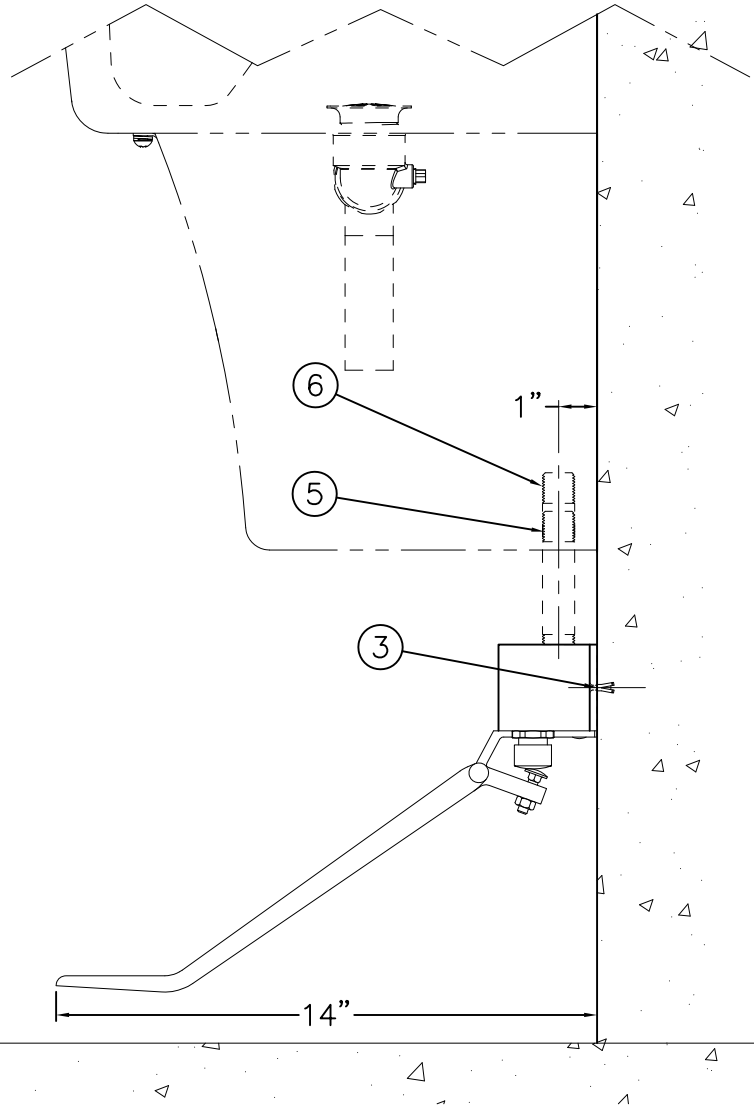
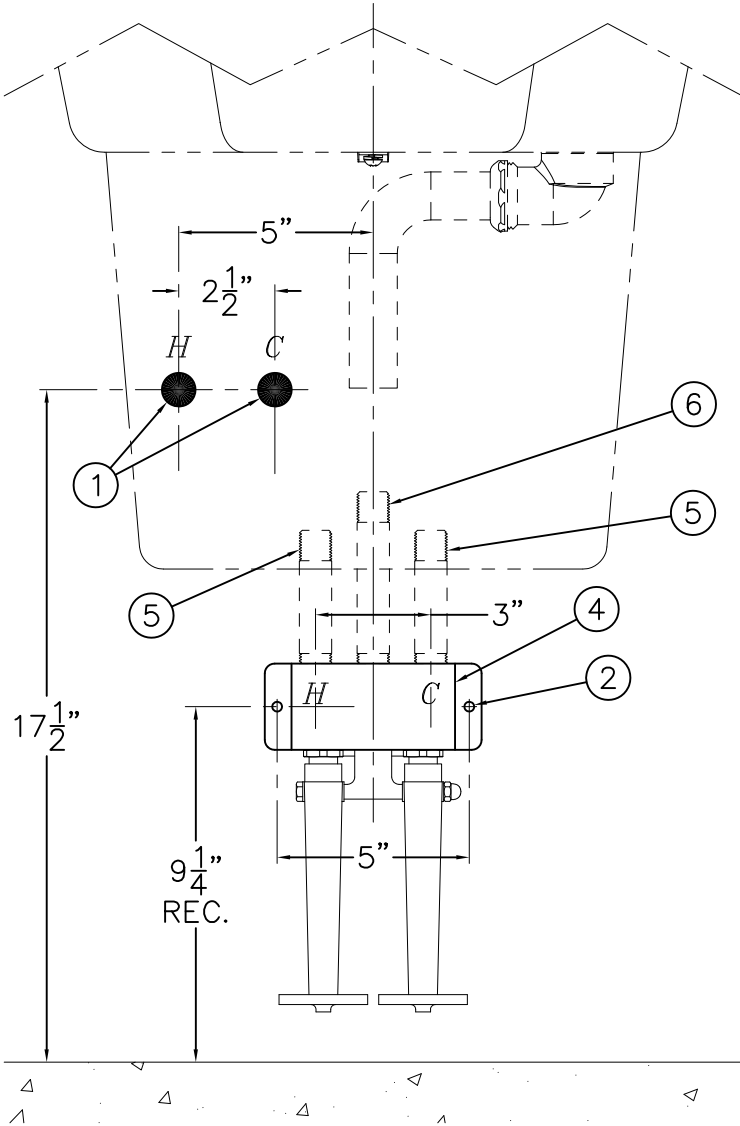
**NOTE:**

TRANSFORMER(S) MUST BE WIRED TO A GFI PROTECTED CIRCUIT. FIXTURE MUST BE EARTH GROUNDED PER N.E.C. (NATIONAL ELECTRICAL CODE)

WHITEHALL MANUFACTURING P.O. BOX 3527 Industry, CA 91744 15125 Proctor Ave Industry, CA 91746 (626) 968-6681 FAX (626) 855-4862	TITLE <b>INFECTION PREVENTION SINK #4150</b>		
	MANUFACTURE DATE <b>SEPTEMBER 2013</b> <b>TO PRESENT</b>	DATE ISSUED <b>09/26/13</b>	DRAWING NUMBER <b>9931-000-001</b>
		DATE REVISED <b>05/02/16</b>	



**FOR ADDITIONAL FIXTURE  
INSTALLATION SEE DRAWING  
9931-000-001 FOR DETAILS**



**INSTALLATION INSTRUCTIONS:**

A-ROUGH-IN FOR THE FOLLOWING:


- 1/2" NPT HOT AND COLD SUPPLIES (1) BY OTHERS
- ø1/4" MOUNTING POINTS (2), WALL ANCHORS AND ANCHORING HARDWARE (3) BY INSTALLER.

B-LAYOUT AND INSTALL, INSTALLER PROVIDED WALL ANCHORS (3).

C-PRIOR TO INSTALLING VALVE BODY (4) TO WALL, INSTALL 1/2" NPT x 4" (RECOMMENDED) HOT AND COLD SUPPLY NIPPLES (5) BY OTHERS TO VALVE BODY (4).

D-INSTALL 1/2" NPT x 5" (RECOMMENDED) RISER NIPPLE (6) BY OTHERS TO VALVE BODY (4).

E- SECURE VALVE BODY (4) TO WALL, MAKE UP CONNECTIONS AND CHECK FOR LEAKS.

 WHITEHALL MANUFACTURING P.O. BOX 3527 Industry, CA 91744 15125 Proctor Ave Industry, CA 91746 (626) 968-6681 FAX (626) 855-4862	TITLE <b>OPTIONAL -VF FOOT OPERATED VALVE FOR #4150 INFECTION PREVENT BASIN</b>	
	MANUFACTURE DATE <b>MAY 2015</b> <b>TO PRESENT</b>	DATE ISSUED <b>05/01/15</b>
	DATE REVISED	