



Division of
Acorn Engineering Company®



A MEMBER OF



**Whitehall
 Infection Prevention Sink
 ADA Compliant**

Model 4151



Please visit www.whitehallmfg.com
 for most current specifications.



4151-CSG

Fixture May Show Some Available Options

Infection Prevention Sink is intended for general use by medical staff, patients and food handlers. Optional Lead-Free Gooseneck Faucet includes Laminar Flow Spout with an integral 1.5 GPM Flow Restrictor. Sink is designed to include an angled internal slope to defuse outlet water and minimize splash while hand washing and scrubbing up to elbows. Outside Rim is at a minimal width and angled downward to prevent pooling water and discourage placement of objects on Rim. Fixture includes an offset Drain to prevent water from discharging directly into Drain.

Fixture is made of Corterra® non-porous solid surface polymer resin with the feel of commercial-grade designer Basins and includes an additive, SteriTouch®, that provides antimicrobial protection. Antimicrobial additive helps suppress the growth of odor and stain-causing microorganisms. Corterra® material is GreenGuard Gold Certified for low emissions. Fixture is easy to mount and install onto a finished wall from the front.

Optional Trap Cover is made of Corterra® non-porous solid surface polymer resin with SteriTouch® anti-microbial protection. Cover allows easy access to P-Trap and other plumbing components.

Waste Connection is 1-1/4" NPS Dome Strainer with Close Elbow and 1-1/4" O.D. Tailpiece.

GUIDE SPECIFICATION

Provide Whitehall ADA Infection Prevention Sink (specify model number and options). Fixture shall be fabricated of Corterra® non-porous solid surface polymer resin with SteriTouch® antimicrobial protection. Sink shall have a deep internal sloping Basin and a Dome Strainer with a Close Elbow and Tailpiece.

MATERIAL CERTIFICATION

Material physical proprieties are in compliance with:

- CSA B45.5/IAPMO Z124
- ANSI/ICPA SS-1

(Refer to Technical Data Sheet for Complete Details)

- Patented D713,946
- D Acorn Engineering Co.

Please visit www.whitehallmfg.com
 for most current specifications.



Complies with the following standards:





BASE MODEL NUMBER

- 4151 ADA Compliant Infection Prevention Sink

INFECTION PREVENTION FAUCETS

- 9 Without Faucet (Specify Drilling)
 - H1 Single Hole Centered
 - H34 Three Holes 4" Centerset (1-5/16" diameter holes)
- CSG Centerset with Lead-Free Gooseneck Spout, Wrist Blade Handles and Laminar Flow Spout
- SO Sensor Operated Deck Mounted Spout
- SO-BAT Sensor Operated Deck Mounted Spout - Battery Powered (batteries not included)

Disclaimer: The Faucet option listed is specifically designed to minimize splash. Whitehall Manufacturing will not be liable for any splashing that occurs if Faucet other than Whitehall provided Faucet is used.

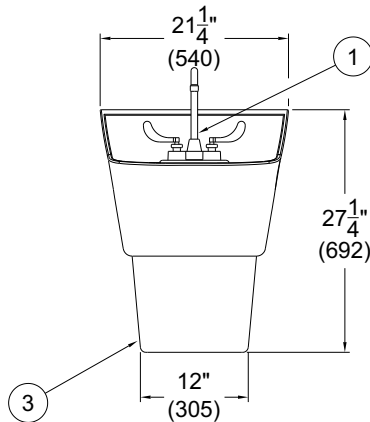
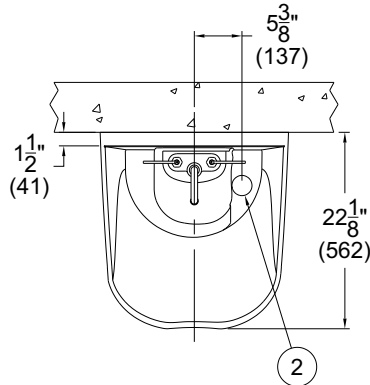
MOUNTING

- MC Mounting Carrier

PRODUCT OPTIONS

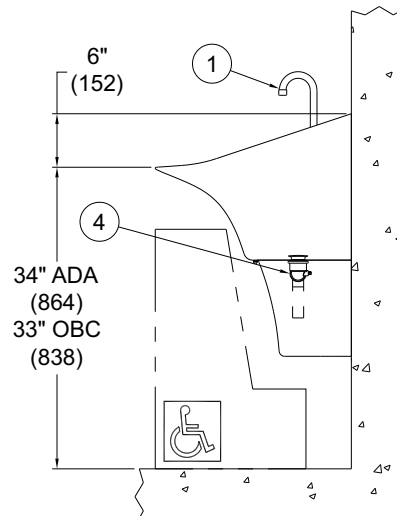
- HTR Chronomite Instantaneous Water Heater (For Remote Location) (Refer to Chronomite Labs at <http://chronomite.com> for applications and field installation)
- TE Trap Enclosure
- MXTP ASSE 1070 Compliant Temperature/Pressure Balancing Mixing Valve
- TPT Tubular P-Trap

Please visit www.whitehallmfg.com for most current specifications.



NOTES:

1. Optional -CSG Wrist Blade Gooseneck Faucet
2. Dome Grid Strainer
3. Optional -TE Trap Enclosure
4. 1-1/4" NPSE Grid Strainer w/ Close Elbow and 1-1/4" O.D. Tailpiece Provided



WARNING: Cancer and Reproductive Harm - www.P65Warnings.ca.gov

SteriTouch

All dimensions are nominal and subject to manufacturer's change without notice. Whitehall assumes no responsibility for use of void or superseded data © Whitehall Manufacturing, Member of Morris Group International. Please visit www.whitehallmfg.com for most current specifications.

SELECTION SUMMARY & APPROVAL FOR MANUFACTURING

Model Number & Options _____ Quantity _____
 Company _____ Date _____
 Contact _____ Title _____
 Approval for Manufacturing/Signature _____