



**Whitehall  
 Wash-Up Sink  
 ADA Compliant  
 One Station**

Model 4171



Please visit [www.whitehallmfg.com](http://www.whitehallmfg.com)  
 for most current specifications.



4171-SO-EFW

Fixture May Show Some Available Options

**Wash-Up Sink** is primarily intended for use in Healthcare institutions such as Pharmacies, Healthcare, Medical buildings, and Hospitals providing a convenient Sink to wash up.

**Fixture** is fabricated from 16 gage, type 304 stainless steel and is seamless welded construction with a satin finish. The Cabinet interior is sound-deadened with a fire-resistant material. The unit is designed with the capability of being installed on the wall using a Mounting Carrier.

**Wash-Up Sink** is provided with a Front Panel which is easily opened for access to Waste Connections, Stops and Strainers. Wash-Up Sink has a Sloping Bottom Surface to minimize splashing and a 1-1/4" OD Tailpiece with a Grid Strainer Drain and a 1-1/2" O.D. P-Trap.

**Optional -EFW Eye/Face Wash** provides a Safety Manufacturing™ Model S0860 Series Swing Down Eye-Face Wash within Sink Trough.

**Models with -EFW Option** comply with USP 800, Section 5.3 Eyewash Station Requirements.

**GUIDE SPECIFICATION**

Provide Whitehall ADA Wash-up Sink (specify model number and option). Fixture shall be fabricated from 16 gage, type 304 stainless steel and is seamless welded construction with a satin finish. Cabinet interior shall have a sound deadening, fire-resistant material. Cabinet shall also have Removable Access Panel to allow access to Waste Connections, Stops and Strainers. Sink shall have a Sloping Bottom to minimize splashing, and a 3" Flat Strainer Drain offset left of the fixture.

Please visit [www.whitehallmfg.com](http://www.whitehallmfg.com)  
 for most current specifications.



Complies  
with the  
following  
standards:





**BASE MODEL NUMBER**

- 4171 Wash-Up Sink (1 Station)

**MOUNTING**

- MC Mounting Carrier

**WASH-UP SINK FAUCET**

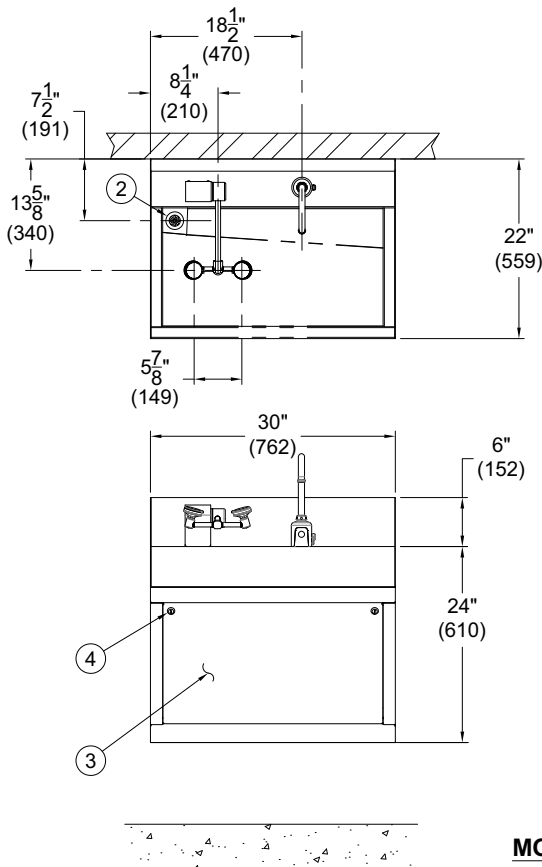
- SO Sensor Operated Deck Mounted Spout
- SO-BAT Sensor Operated Deck Mounted Spout - Battery Powered (batteries not included)
- 9 Without Valve (Specify Drilling)
  - H1 Single 1-3/8" Dia. Hole Centered
  - H34 Three Holes 4" Centerset (1-3/8" Dia. Holes)
  - H38 Three Holes 8" Centerset (1-3/8" Dia. Holes)

**PRODUCT OPTIONS**

- EFW Eye/Face Wash (Must Specify Below)
  - ET71-1-BVS-OTG Emergency Fixture Mixing Valve
  - Emergency Mixing Valve By Others
- NOTE:** When specified, ET71-1-BVS-OTG Emergency Mixing Valve will be provided
- WHST70CP-12 ASSE 1070 Compliant Hot & Cold, Temperature Mixing Valve
  - NOTE:** Recommend One (1) Mixing Valve Per Station.
  - Valve Specs: 4.5 GPM (17 LPM) @ 45 PSI (310 kPa)
- 316 Stainless Steel In Lieu of Standard 304 Stn Stl

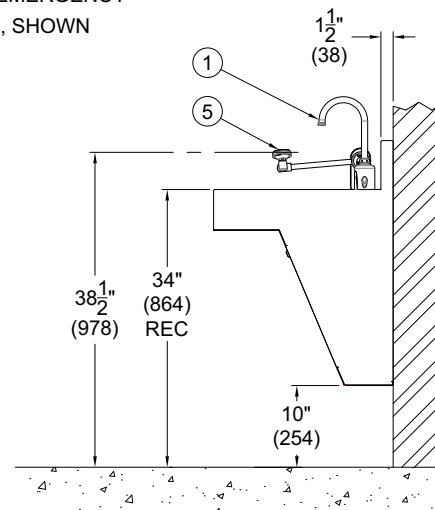
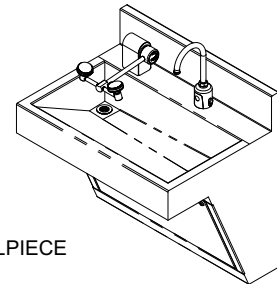
**Accessories**

An appropriate Chronomite Instantaneous Tankless Water Heater may be purchased separately to ship with your Wash-Up Sink. Contact your sales rep for details or visit [www.chronomite.com](http://www.chronomite.com)



**NOTES:**

1. SENSOR OPERATED SPOUT
2. GRID STRAINER AND 1-1/4" TAILPIECE
3. HINGED ACCESS PANEL
4. CYLINDER LOCK
5. OPTIONAL -EFW EMERGENCY EYE/FACE WASH, SHOWN



**MODEL # 4171**

**WARNING:** Cancer and Reproductive Harm - [www.P65Warnings.ca.gov](http://www.P65Warnings.ca.gov)

**SELECTION SUMMARY & APPROVAL FOR MANUFACTURING**

Model Number & Options \_\_\_\_\_ Quantity \_\_\_\_\_  
 Company \_\_\_\_\_ Date \_\_\_\_\_  
 Contact \_\_\_\_\_ Title \_\_\_\_\_  
 Approval for Manufacturing/Signature \_\_\_\_\_

All dimensions are nominal and subject to manufacturer's change without notice. Whitehall assumes no responsibility for use of void or suspended data © Whitehall Manufacturing, Member of Morris Group International. Please visit [www.whitehallmfg.com](http://www.whitehallmfg.com) for most current specifications.