

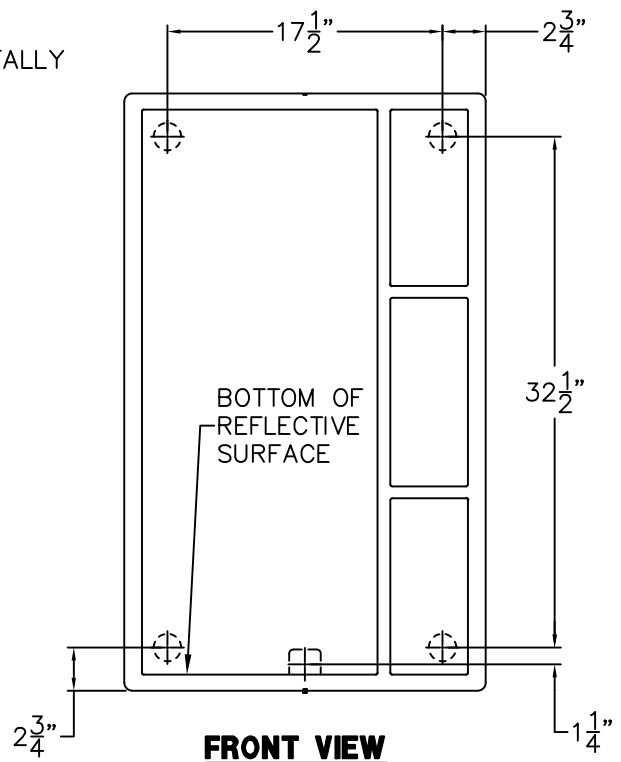
LOCATE ITEM TO CONFORM WITH APPLICABLE CODES FOR ACCESSIBILITY. 

IMPORTANT! AFTER INSTALLATION, ALL JOINTS REQUIRE SECURITY SEALANT BY INSTALLER TO ELIMINATE GAPS BETWEEN WALL AND FIXTURE.

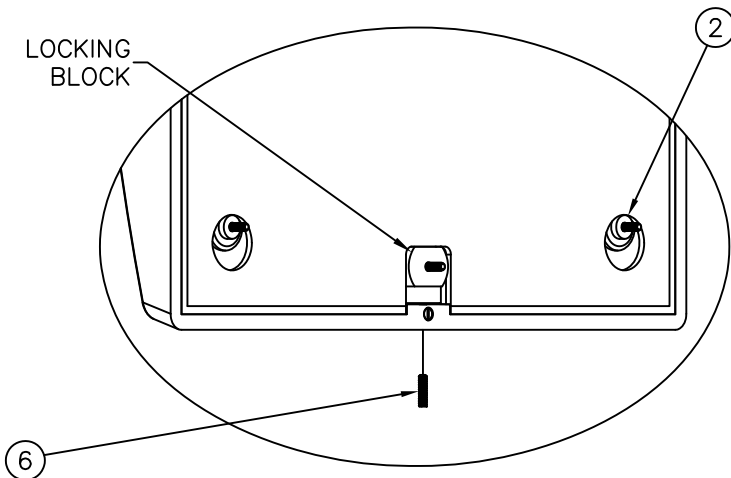
INSTALLATION INSTRUCTIONS:


NOTES: ASSEMBLY MAY BE MOUNTED VERTICALLY OR HORIZONTALLY

- A- PLACE PROVIDED TEMPLATE (5) ON WALL (1) IN DESIRED LOCATION AND MARK MIRROR HANGER (2) LOCATIONS.
- B- INSTALL MIRROR HANGERS (2) (PROVIDED) AND WALL ANCHORS (4) (BY OTHERS), AS REQUIRED TO SUIT WALL CONDITIONS, INTO MARKED LOCATIONS ON WALL.
- C- MOUNT MIRROR FRAME ASSEMBLY (3) ONTO PROTRUDING MIRROR HANGERS (2).
- D- SECURE MIRROR FRAME ASSEMBLY (3) USING LOCKING SCREW (6) (PROVIDED).
- E- THREAD REMAINING LOCKING SCREWS (7) (PROVIDED) INTO HOLES ON EACH SIDE TO PREVENT REMOVAL.



***IMPORTANT:** POSITION MIRROR HANGERS 1/2" ABOVE DESIRED MOUNTING HEIGHT. ASSEMBLY SLIDES DOWN 1/2" UPON INSTALL.



 WHITEHALL MANUFACTURING P.O. BOX 3527 Industry, CA 91744 15125 Proctor Ave Industry, CA 91746 (626) 968-6681 FAX (626) 855-4862	TITLE WHD-MR, LIGATURE RESISTANT MIRROR AND UTILITY SHELF	
	MANUFACTURE DATE JUNE 2021 TO PRESENT	DATE ISSUED 06/17/21
	DATE REVISED	