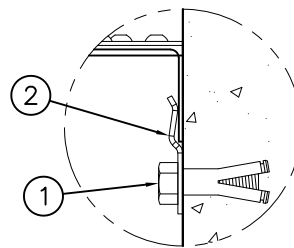
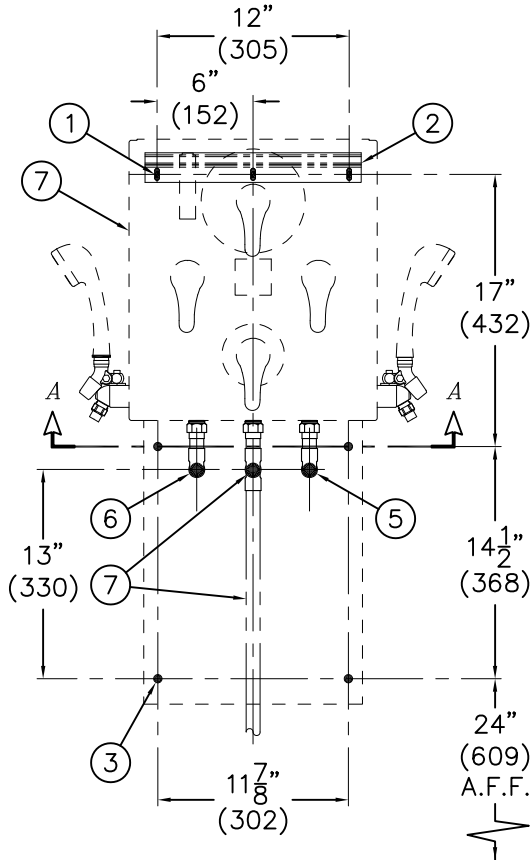


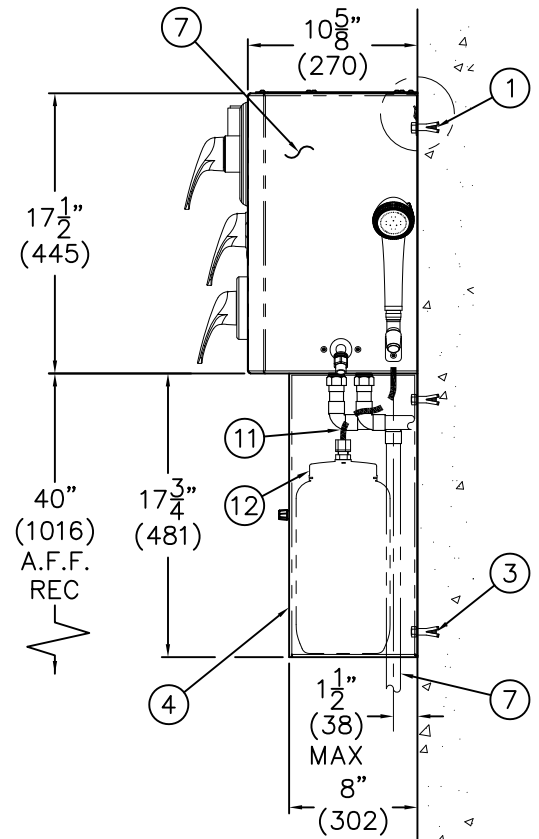
REFERENCE DRAWINGS	
MIXING VALVE	9975-009-001
FLEX SHOWER	9970-102-003
FLO-CLOZ / DIVERTER	9975-008-001

PRODUCT ROUGH-IN AND INSTALLATION REQUIRES THE FOLLOWING MATERIALS NOT SUPPLIED BY WHITEHALL MANUFACTURING:

- 3/4" NCT SUPPLIES TO VALVE ASSEMBLY (3/4" NPTI INLETS)
- FILL (3/4" NPTI OUTLET)
- SUITABLE WALL BACKING AND ANCHORING HARDWARE.



*DETAIL NOT TO SCALE*



\*PROVIDE PLUMBING AS REQUIRED PER LOCAL CODES.

**INSTALLATION INSTRUCTIONS:**

A- ROUGH-IN FOR THE FOLLOWING:

- 1/4" INSTALLER PROVIDED WALL ANCHORING HARDWARE (1) FOR S-CLIP (2) MOUNTING.
- 1/2" INSTALLER PROVIDED WALL ANCHORING HARDWARE (3) FOR LOWER CABINET (4) MOUNTING.
- 3/4" NCT STUB OUTS COLD (5) FOR & HOT (6) SUPPLIES.
- 3/4" NCT FOR REMOTE FILLER RISER (7) BY OTHERS.

B- USING INSTALLER PROVIDED ANCHORING HARDWARE (1) INSTALL S-CLIP (2) AT DIMENSIONS SHOWN.

C- PLACE CONSOLE (7) AGAINST WALL AND ENGAGE ONTO S-CLIPS (2). FIX LOWER CABINET (4) TO WALL THROUGH CABINET DOOR WITH INSTALLER PROVIDED ANCHORING (3).

E- MAKE UP 3/4" NCT COLD (5) & HOT (6) SUPPLIES TO 3/4" NPT COLD INLET (8) AND HOT INLET (9) AND 3/4" NCT REMOTE RISER (7) TO 3/4" NPT OUTLET (10).

F- FLUSH SUPPLY LINES THRU REMOTE FILLER RISER (7), BY OTHERS.

G- CONNECT DISINFECTANT LINE (11) TO 1-GALLON SOAP BOTTLE (12).



WHITEHALL MANUFACTURING  
P.O. BOX 3527 Industry, CA 91744  
15125 Proctor Ave Industry, CA 91746  
(626) 968-6681 FAX (626) 855-4862

TITLE **OFF-FLOOR, DISINFECTING / FILLING CONSOLE, DU-1**

MANUFACTURE DATE

**SEPTEMBER 2020  
TO PRESENT**

DATE ISSUED

**11/30/20**

DATE REVISED

**07/05/23 A**

DRAWING NUMBER

**9949-065-003**