



Whitehall Wall Mounted Disinfecting Unit

Model DU-1



DU-1

Fixture May Show Some Available Options

DU-1 Wall Mounted Shower and Disinfecting Unit delivers tempered water while combining a Patient Hand Spray, a Fill Valve for filling the Whirlpool and a Washout Hose to mix water with disinfectant for cleaning the Whirlpool.

Patient Hand Shower Assembly provides an invigorating shower and includes a Valve with Stop, Handheld Shower with Five-Foot Long Stainless Steel Flex-Hose.

Fill Valve includes a Valve with Stop and a 3/4" NPTI adapter for field connection of fill supply line. Stainless Steel Filler Hose is optionally available.

Disinfectant Sprayer automatically mixes water with disinfectant for quick, easy cleaning and disinfecting of the Whirlpool and includes a Valve with Stop and Handheld Shower with Five-Foot Long, Stainless Steel Flex-Hose. A Needle Valve Flow Meter is provided on the console with "Gallons Per Hour" gradient marks for monitoring the disinfectant flow.

Digital Thermometer Display is solar powered and provides constant monitoring of the water temperature.

Valve Assemblies:

1. Thermostatic Mixing Valve with Integral Check Valves (Primary Mixer).
2. Single Temperature Valve with Stop for Patient Shower Valve (Handheld Shower).
3. Single Temperature Valve with Stop for Disinfectant Sprayer (Washout Hose).
4. Diverter Valve with Lever Handle (Directs flow to Whirlpool Fill or Shower and Washout).

Wall Mounted Console is fabricated from heavy gauge, type 304 stainless steel, polished to a satin finish with removable top. Console includes a one-gallon, Chemical Resistant Polyethylene Reservoir for storing disinfectant liquid and access door with T-handle. Piping is type "L" copper tubing with polyethylene, factory tested at 150 PSI.

GUIDE SPECIFICATION

Provide and install a Whitehall Shower and Disinfectant Mixing Unit (specify model number and options). Unit shall be equipped with Patient Hand Shower, Disinfectant Sprayer and Fill Valve Connection. Water temperature shall be controlled with ASSE 1069 Compliant Thermostatic Mixing Valve Assembly with Integral Check Stops. Unit to include one each Single Temperature Valve with Stop Assembly and Lever Handle, to operate Disinfectant Sprayer and Handheld Shower. A Diverter Valve shall direct flow for Whirlpool Fill or Handheld Shower. Provide Digital Thermometer Display for monitoring water temperature and Needle Valve Flow Meter Display for monitoring disinfectant. Console shall be fabricated from heavy gauge, type 304 stainless steel, polished to a satin finish and provided with an access panel, with Chemical Resistant Reservoir for storing disinfectant liquid.

Please visit www.whitehallmfg.com
for most current specifications.



Member of
U.S. Green
Building
Council



Recyclable
Product



BASE MODEL NUMBER

DU Disinfecting/Shower Mixing Unit

Type:

-1 Off-The-Floor, Wall Mounted

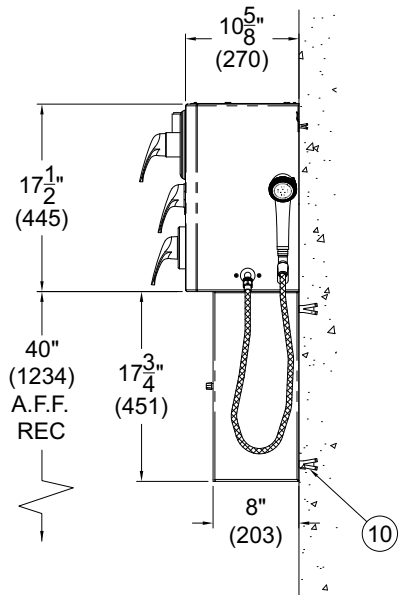
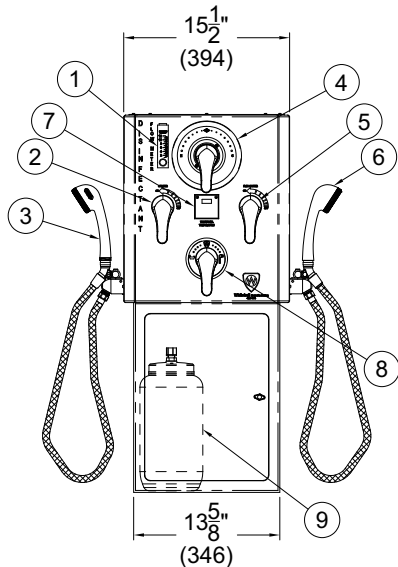
Options: (Specify if Required)

- CL Cylinder Lock on Access Door
- QDD Quick Disconnect, Disinfectant Sprayer
- QDS Quick Disconnect, Stainless Steel Filler Hose
- QPD Quick Disconnect, Patient Shower
- SSF Stainless Steel Filler Hose, 120" (3048)
- TSF Tub Filler Spout
- XLD Extra Long Hose, Disinfectant Sprayer 120" (3048) Consisting of Two 60" (1524) Hoses
- XLP Extra Long Hose, Patient Shower 120" (3048) Consisting of Two 60" (1524) Hoses

Valve Specifications:

Max Operating Pressure: 125 PSI (862 kPa)
 Max Hot Water Supply Temp.: 180°F (82°C)
 Min Hot Water Supply Temp.: 10°F (6°C)
 Above Set Point
 Max. Temp. Range: 110°F (43°C)
 Flow Rate: 15 GPM (57 LPM)
 @ 45 PSI (310 kPa) Differential
 Minimum Flow: 0.5 GPM (1.9 LPM)

Please visit www.whitehallmfg.com
 for most current specifications.



DISINFECTING/SHOWER UNIT DU-1

NOTES:

- | | |
|--|---|
| <ul style="list-style-type: none"> 1. FLOW METER 2. DISINFECTANT CONTROL VALVE 3. DISINFECTANT HANDHELD SHOWER 4. TEMPERATURE CONTROL VALVE 5. PATIENT SHOWER CONTROL VALVE 6. PATIENT HANDHELD SHOWER | <ul style="list-style-type: none"> 7. SOLAR POWERED DIGITAL THERMOMETER 8. WHIRLPOOL FILL / HANDHELD SHOWER DIVERter VALVE 9. 1-GALLON DISINFECTANT TANK 10. INSTALLER PROVIDED WALL ANCHORS AND ANCHORING HARDWARE |
|--|---|

WARNING: Cancer and Reproductive Harm - www.P65Warnings.ca.gov

All dimensions are nominal and subject to manufacturer's change without notice. Whitehall assumes no responsibility for use of void or superseded data © Whitehall Manufacturing, Member of Morris Group International. Please visit www.whitehallmfg.com for most current specifications.

SELECTION SUMMARY & APPROVAL FOR MANUFACTURING	
Model Number & Options _____	Quantity _____
Company _____	Date _____
Contact _____	Title _____
Approval for Manufacturing/Signature _____	