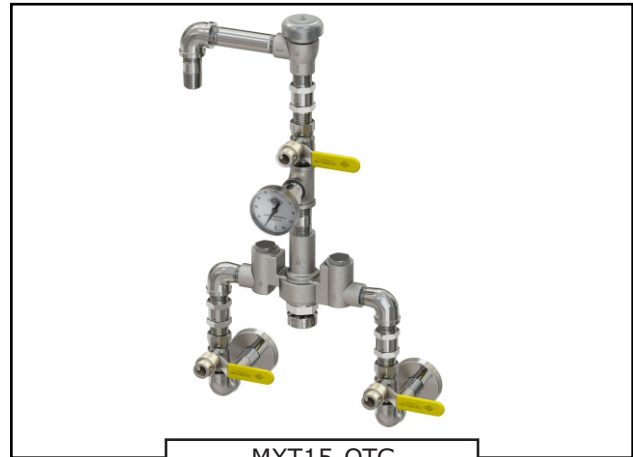




**MXT15-OTG
 Lead-Free Adjustable
 Thermostatic Mixing
 Valve**

Model MXT15-OTG



MXT15-OTG

Fixture May Show Some Available Options

**Lead-Free Adjustable Thermostatic
 Mixing Valve**

MXT15-OTG is an ASSE 1070, ASSE 1069 and B125.3 listed, Chrome-Plated, Lead-Free Brass Thermostatic Mixing Valve that can deliver tempered water from 0.5 GPM to 15 GPM (1.9 LPM to 57 LPM) and is recommended for use with Whitehall Stationary Whirlpools. The valve is designed to deliver safe tempered water even with changing supply conditions*. Temperature changes are made with the Adjusting Knob from near cold water inlet temperature to 110°F (43°C) maximum. The Valve includes Integral Cartridge Style Checks and Strainers to prevent crossflow, filter out debris and eliminate installation errors. The commercial quality paraffin-based Thermal Actuator provides long-term and reliable performance. The assembly is included with a Vacuum Breaker and Lockable Brass Ball Valves for isolation, maintenance and repair.

-OTG Outlet Temperature Gauge provides a visual indication of outlet water temperature.

* In accordance with ASSE 1070 and ASSE 1069

GUIDE SPECIFICATION

Mixing Valve Assembly shall be factory assembled and tested. The Thermostatic Mixing Valve shall comply with ASSE and CSA standards. Valve shall contain a copper encapsulated, paraffin-based Thermal Actuator. Valve shall be a chrome plated, solid DZR brass body with a capacity of 15 GPM (57 LPM) at 45 PSI (310 kPa) differential and a maximum operating pressure of 125 PSIG (862 kPa). Supply pressure variation shall be up to 20%. Valve shall have a maximum outlet temperature of 110°F (43°C). Assembly shall include an outlet temperature gauge, lockable inlet and outlet ball valves and a vacuum breaker. Valve shall comply with ASSE 1069, ASSE 1070 and CSA B125.3 standards.

Valve Specifications:

- Max Operating Pressure: 125 PSI (862 kPa)
- Max Hot Water Supply Temp.: 180°F (82°C)
- Min Hot Water Supply Temp.: 10°F (6°C)
Above Set Point
- Max. Temp. Range*: 110°F (43°C)
- Flow Rate: 15 GPM (57 LPM)
@ 45 PSI (310 kPa) Differential
- Minimum Flow*: 0.5 GPM (1.9 LPM)
- Connections 1/2" NPT Male

Please visit www.whitehallmfg.com for most current specifications.



Member of
U.S. Green
Building
Council



Recyclable
Product



Water
Conserving
Product

Complies
with the
following
standards:



Federal
Public Law
111-350
(No Lead)



ASSE 1069
ASSE 1070
CSA B125.3



MODEL NUMBER AND OPTIONS SELECTION:

BASE MODEL NUMBER

MXT15-OTG Chrome Plated Adjustable Thermostatic Mixing Valve

CABINET:

-SMC Surface Mounted Cabinet

FINISH

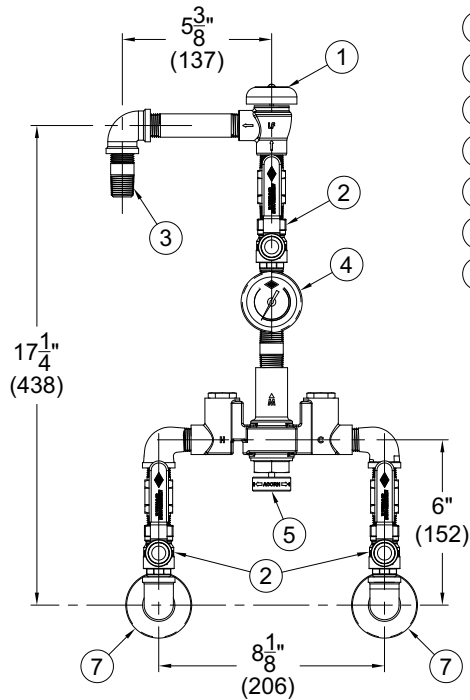
-PRC Prime Coat Finish (16 Gage Mild Steel)
 -SSTL Stainless Steel (18 Gage Type 304)

DOOR OPTIONS

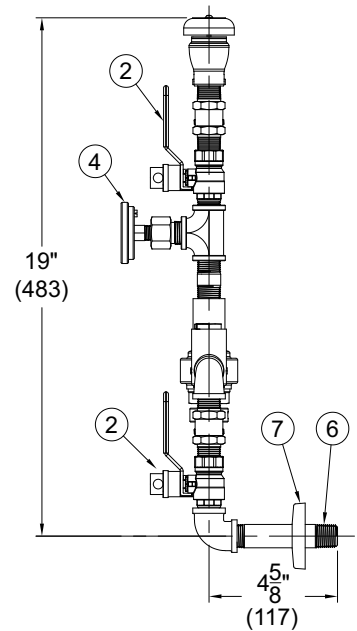
-DRS Solid Door
 -DRV Door Viewport

Must Specify: Hinge Location

-L Left
 -R Right



- ① ATMOSPHERIC VACUUM BREAKER
- ② LOCKABLE BALL VALVES
- ③ 1/2" NPT OUTLET CONNECTION
- ④ -OTG OUTLET TEMPERATURE GAUGE
- ⑤ TEMPERATURE ADJUSTMENT KNOB
- ⑥ 1/2" NPT INLET CONNECTIONS
- ⑦ ESCUTCHEONS



MXT15-OTG

PRESSURE DROP PSID (kPa)	Cv	5 (34)	10 (69)	15 (103)	20 (138)	30 (207)	45 (310)	60 (414)
FLOW RATE GPM (LPM)	2.2	5 (19)	8 (26.7)	8.7 (32.8)	10 (37.9)	12.3 (46.4)	15 (56.8)	17.3 (65.6)

⚠ WARNING: Cancer and Reproductive Harm - www.P65Warnings.ca.gov

SELECTION SUMMARY & APPROVAL FOR MANUFACTURING

Model Number & Options _____ Quantity _____
 Company _____ Date _____
 Contact _____ Title _____
 Approval for Manufacturing/Signature _____

All dimensions are nominal and subject to manufacturer's change without notice. Whitehall assumes no responsibility for use of void or superseded data © Whitehall Manufacturing, Member of Morris Group International. Please visit www.whitehallmfg.com for most current specifications.