



Whitehall Manufacturing
Manufacturer of Healthcare and Rehabilitation Products since 1946

Podiatry Whirlpools

Division of
Acorn Engineering Company



A MEMBER OF



Use



P Series 10 Gallon Stationary Whirlpool

P-10-S



P-10-S

Whitehall P-10-S Stationary Whirlpool is recommended for treatment of the foot and ankle area.

Tank Capacity is 10 gallons.

Whirlpool Tank is 22"L x 13"W x 12"D and is seamless welded construction, fabricated from heavy gauge, type 304 stainless steel, polished to a satin finish. Tank rim is reinforced with a concealed stainless steel rod. Tank bottom is seamless, coved (rounded) design for effective cleaning to minimize bacteria buildup. Tank is also provided with an extended stainless steel skirt flush to the floor line to conceal internal drain piping.

A 2" Combination Drain and Overflow, and a Filler Spout are provided.

Turbine Raising and Lowering Device permits adjustment of desired height and direction of water agitation towards the area of the body to be treated. It is spring balanced and provided with a locking device.

Turbine Assembly is equipped with Underwriters Laboratory listed 1/2 HP jet pump motor protected with an ABS plastic shell, automatic thermal overload protector, and lifetime-sealed bearings. All parts contacting the water are stainless steel, chrome plated brass or bronze.

Thermometer is provided with a dual scale, adjustable calibration, and a stem inserts into a retainer to prevent rattle during whirlpool agitation.

GUIDE SPECIFICATIONS

Provide Whitehall Stationary Whirlpool (specify model number and options) with a 10-gallon capacity, 22"L x 13"W x 12"D. Whirlpool shall be fabricated from heavy gauge, type 304 stainless steel. Construction shall be seamless welded and exposed surfaces shall be polished to satin finish. Tank shall have a reinforced rim and shall be fitted with a stainless steel skirt flush to the floor line. Bottom of tank shall be a seamless, rounded coved design to minimize bacteria build up. Provide a 2" combination drain and overflow, and a filler spout. Provide a turbine assembly with raising and lowering device which functions as an agitator and permits adjustment of desired height, direction of water agitation, and can be locked into place. Turbine assembly shall be UL listed 1/2 HP jet pump motor with automatic thermal overload protector and lifetime-sealed bearings. Provide a thermometer with a stem retainer to prevent rattle when whirlpool is in operation.

Please visit www.whitehallmfg.com
for most current specifications.



Member of
U.S. Green
Building
Council



Recyclable
Product

Whitehall Mfg. • P.O. Box 3527 • City of Industry, CA 91744 • (800) 782-7706 • (626) 968-6681 • Fax (626) 855-4862

P-10-S

Updated: 10/05/18



MODEL NUMBER AND OPTION SELECTIONS

Series

P Podiatry Series

Capacity

-10 Gallons

Type

-S Stationary Whirlpool

Turbine Electrical Requirements

115VAC / 50Hz 115VAC / 60HZ

230VAC / 50Hz 230VAC / 60HZ

Country of Use _____

For Mixing Valve:

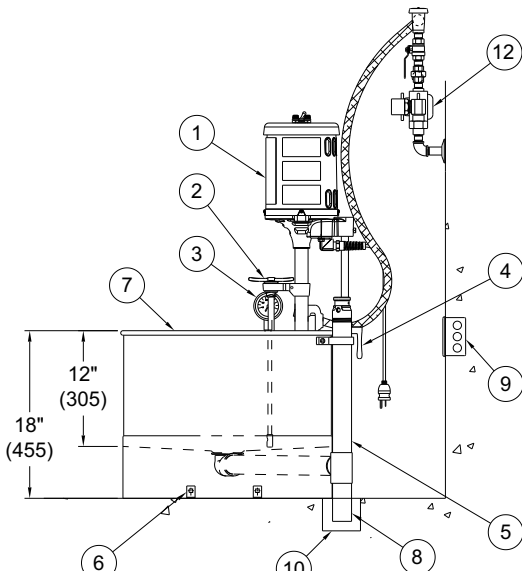
Refer to supplemental MXT15 sheet for details.

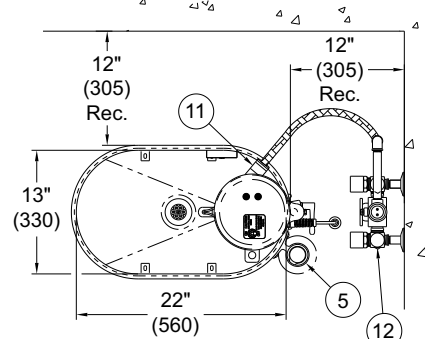
Suffix Options (See Whirlpool Options Section for Details)

- ALC Adjustable Low Chair
- ALS Adjustable Low Stool
- EG Enviro Glaze Color Powder Coating - Specify Color: _____
(Special Finishes Consult Factory)
- GFI Ground Fault Interrupter
- PCS Pump Strainer Cover
- SDO Separate Drain and Overflow Assembly

ELECTRIC REQUIREMENTS: Amps: 6.9/6.2 Hertz: 50/60 Volts: 115 GFI Receptacle	ELECTRIC REQUIREMENTS: Amps: 3.5/3.1 Hertz: 50/60 Volts: 230 GFI Receptacle	Certified per US & Canadian Medical Standards; UL 60601-1 & CSA C22.2 No. 601.1	Certified per European Standards; IEC 60601-1
--	--	---	---

CSA C22.2 No. 60601-1





STATIONARY P-10-S SERIES WHIRLPOOL

NOTES:

1. 1/2 HP Jet Pump Motor
2. Variable Pressure Control
3. Thermometer
4. Turbine Raising & Lowering Device

5. Combination Drain & Overflow Assembly
6. "L" Brackets - (4) Four Each
7. Stainless Steel Tank
8. 2" O.D. x 5" Tailpiece

9. 3 Pole GFI Receptacle by Others
10. Floor Drain by Others
11. Filler Spout
12. Mixing Valve, Shown For Reference Only

WARNING: Cancer and Reproductive Harm - www.P65Warnings.ca.gov

SELECTION SUMMARY & APPROVAL FOR MANUFACTURING

Model Number & Options _____ Quantity _____

Company _____ Date _____

Contact _____ Title _____

Approval for Manufacturing/Signature _____