



Dickson PB-104 provides safe and effective application of heat to the surface of extremities requiring increased therapeutic circulation. Heat therapy is administered to extremities within the stainless steel tank melted via melted paraffin wax. A built-in timer provides the paraffin bath with a convenient self-sanitization cycle which increases clinical-grade infection protection.

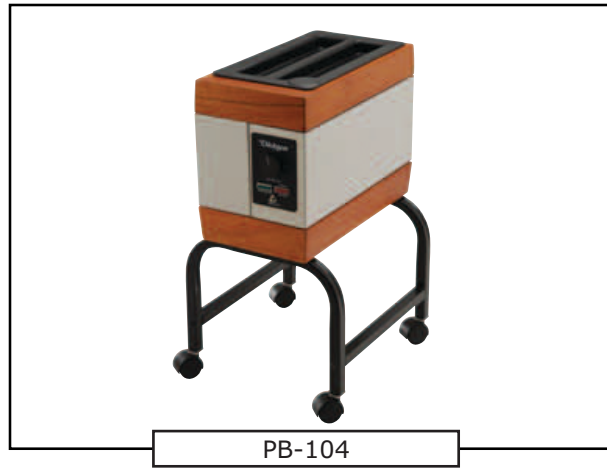
Tank Capacity is 18 lbs. (8.16 kgs) of paraffin.

The unit is fabricated of 22 gage stainless steel and finished with solid hardwood moldings.

Inner Tank is 14-1/2"L x 7"W x 10"D and is bolted to the outer tank. The tank is insulated, thermostatically controlled, and furnished with a cover.

Low heat indicator light indicates that the paraffin is at proper temperature for treatment. High heat indicator light not for patient use but for sanitizing.

Mobile Stand is included.

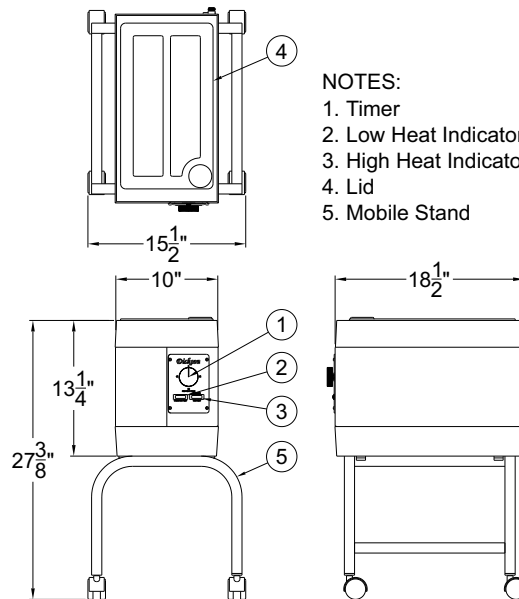


PB-104

MODEL NUMBER AND OPTIONS SELECTION:

BASE MODEL NUMBER

- PB-104 Paraffin Bath, 18 pound paraffin capacity, stationary, high temp timer, 120 VAC
- PB-104-B Paraffin Bath, 18 pound paraffin capacity, stationary, high temp timer, 220 VAC



NOTES:

1. Timer
2. Low Heat Indicator
3. High Heat Indicator
4. Lid
5. Mobile Stand



Member of
U.S. Green
Building
Council



Recyclable
Product

WARNING: Cancer and Reproductive Harm - www.P65Warnings.ca.gov

SELECTION SUMMARY & APPROVAL FOR MANUFACTURING

Model Number & Options _____ Quantity _____
 Company _____ Date _____
 Contact _____ Title _____
 Approval for Manufacturing/Signature _____