



Division of  
Acorn Engineering Company



A MEMBER OF



**Dickson PB-105** provides safe and effective application of heat to the surface of extremities requiring increased therapeutic circulation. Heat therapy is administered to extremities within the stainless steel tank melted via melted paraffin wax. A built-in timer provides the paraffin bath with a convenient self-sanitization cycle which increases clinical-grade infection protection.

**Tank Capacity** is 48 lbs. (21.77 kgs) of paraffin.

The unit is fabricated of 22 gage stainless steel and finished with solid hardwood moldings.

**Inner Tank** is 25-1/2"L x 10"W x 10"D and is bolted to the outer tank. The tank is insulated, thermostatically controlled, and furnished with a two-piece cover.

**Low heat indicator light** indicates that the paraffin is at proper temperature for treatment. High heat indicator light not for patient use but for sanitizing.

**Mobile Stand** is included.

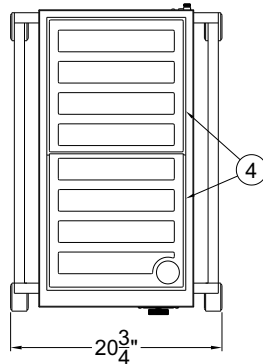


PB-105

**MODEL NUMBER AND OPTIONS SELECTION:**

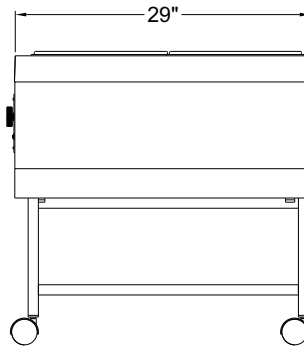
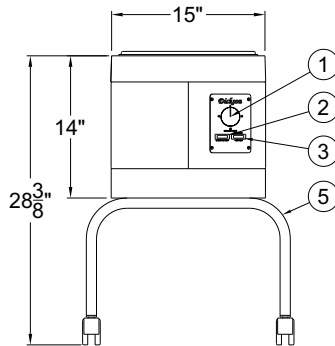
**BASE MODEL NUMBER**

- PB-105 Paraffin Bath, 48 pound paraffin capacity, stationary, high temp timer, 120 VAC
- PB-105-B Paraffin Bath, 48 pound paraffin capacity, stationary, high temp timer, 220 VAC



**NOTES:**

1. Timer
2. Low Heat Indicator
3. High Heat Indicator
4. Lid
5. Mobile Stand



Member of  
U.S. Green  
Building  
Council



Recyclable  
Product

All dimensions are nominal and subject to manufacturer's change without notice. Whitehall assumes no responsibility for use of void or superseded data © Whitehall Manufacturing, Member of Morris Group International. Please visit [www.whitehallmfg.com](http://www.whitehallmfg.com) for most current specifications.

**WARNING:** Cancer and Reproductive Harm - [www.P65Warnings.ca.gov](http://www.P65Warnings.ca.gov)

**SELECTION SUMMARY & APPROVAL FOR MANUFACTURING**

Model Number & Options \_\_\_\_\_ Quantity \_\_\_\_\_  
 Company \_\_\_\_\_ Date \_\_\_\_\_  
 Contact \_\_\_\_\_ Title \_\_\_\_\_  
 Approval for Manufacturing/Signature \_\_\_\_\_