



HOSPITAL AND REHABILITATION PRODUCTS

# SCRUB-WARE®

MEDICAL AND SURGICAL SCRUB SINKS



MEMBER OF



MORRIS GROUP  
INTERNATIONAL


# SURGICAL SCRUB SINKS

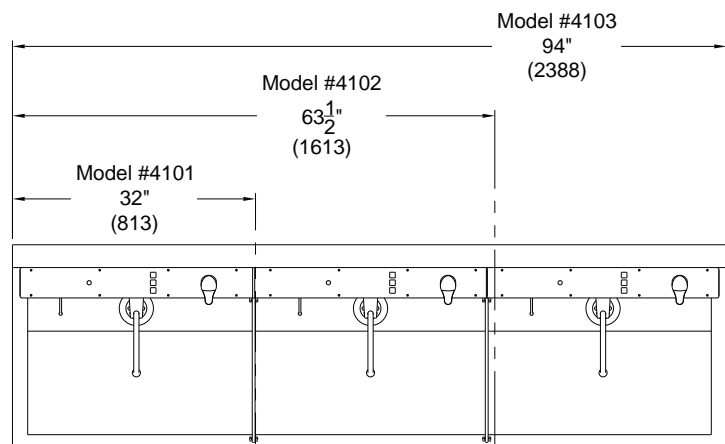
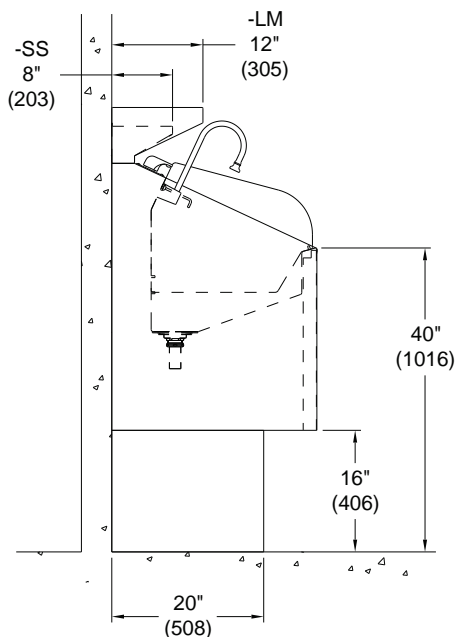
Whitehall Manufacturing® has been serving the needs of the healthcare and rehabilitation industries since 1946 with products that help healthcare providers care for patients safely and effectively. Our hospital product line consists of patient care units, which combine toilet, sink and cabinet in one compact unit for effective bedside care, dialysis supply and waste boxes, BestCare® ligature resistant fixtures and restroom accessories for behavioral healthcare applications, and scrub sinks that healthcare providers use for pre-op scrub-up. Whitehall is the only company in the industry with expertise in plumbing systems; this experience leads us to design and manufacture products that work in harmony with plumbing systems and are easy to install.

Whitehall is proud to offer durable stainless steel scrub sinks in single-station, two-station, or three-station models.

Types include: Surgical Scrub Sinks • Compact Scrub Sinks • ADA Scrub Sinks

## KEY FEATURES

- Manufactured from heavy gage stainless steel. 
- Constructed with seamless welds that minimize surface areas where bacteria can collect.
- Features a sloping bottom surface that helps to control splashing.
- A front access panel provides easy access to all components.
- Adjustable Thermostatic Mixing Valve accommodates users' needs and prevents scalding.
- Gooseneck faucet and spray head can be removed for sterilization.
- Easy installation.



# SURGICAL SCRUB SINKS



**4101-ETC-PDM-SFS-LFN**  
Single-Station Scrub Sink  
Shown with optional Electronic Timing Controller,  
Liquid Soap Dispenser, and Laminar Flow Nozzle.

**4102-LM-PB-PDM-SA-SFS-SS-LFN**  
Two-Station Scrub Sink  
Shown with optional Light Module, Pedestal Base,  
Liquid Soap Dispenser, Splash Panel, Storage Shelf,  
and Laminar Flow Nozzle.



**4103-ETC-PDM-SA-SFS-LFN**  
Three-Station Scrub Sink  
Shown with optional Electronic Timing Controller,  
Liquid Soap Dispenser, Splash Panel, and Laminar  
Flow Nozzle.

# ADA SCRUB SINKS

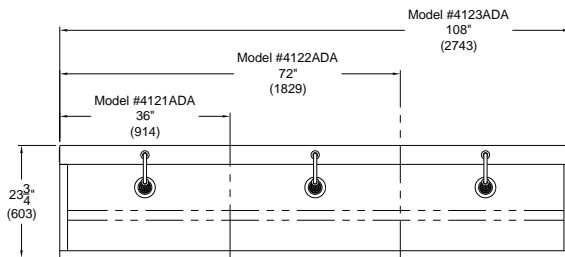
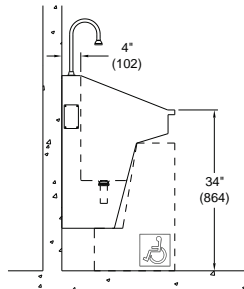


## KEY FEATURES

- ADA Compliant Scrub Sink.
- Heavy gage stainless steel construction.
- Seamless welds minimize surface areas where bacteria can collect.
- Sloping bottom surface helps to control splashing.
- Front access panel provides easy access to all components.
- Adjustable Thermostatic Mixing valve accommodates users' needs and prevents scalding.
- Gooseneck faucet and spray head can be removed for sterilization. Optional laminar flow faucet.
- Hands-free operation using an infrared sensor with built-in range adjustment.

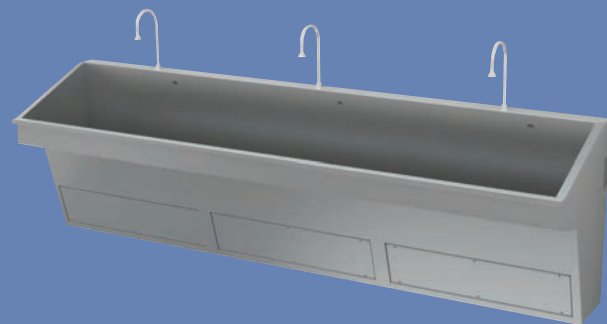
4122ADA 

ADA Compliant Two-Station Compact Scrub Sink



4121ADA 

ADA Compliant Single-Station Compact Scrub Sink




4123ADA 

ADA Compliant Three-Station Compact Scrub Sink

# COMPACT SCRUB SINKS

## KEY FEATURES

- Heavy gage stainless steel construction. 
- Adjustable Thermostatic Mixing Valve accommodates users' needs and prevents scalding.
- Seamless welds minimize surface areas where bacteria can collect.
- A sloping bottom surface helps to control splashing.
- Hands-free operation using an infrared sensor with built-in range adjustment.
- A gooseneck faucet with spray head that can be removed for sterilization.
- A front access panel provides easy access to all components.



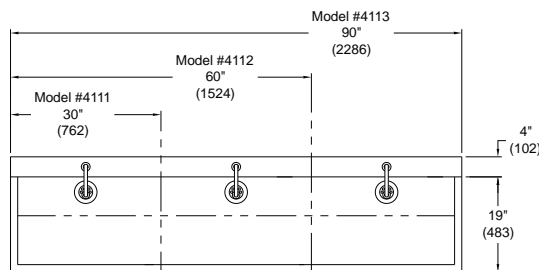
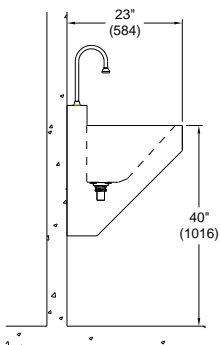
**4111-EYW**  
Single-Station Compact Scrub Sink  
Shown with optional Eyewash feature.



**4112**  
Two-Station Compact Scrub Sink



**4113**  
Three-Station Compact Scrub Sink



# SCRUB SINK OPTIONS

- **DTD:** A digital time display can be added to the control panel. The LED display will show both minutes and seconds of washing time elapsed.
- **ETC:** The electronic timing controller includes both long and short scrub times (5 and 10 min), a two minute rinse indicator warning light, and a stop cycle button. The scrub cycle times can also be adjusted to fit your specific requirements.
- **EYW:** Eye washes are commonly used to cleanse the eye of blood or other contaminants during surgery. Swing-down or wall mounted styles available.
- **HTR:** Chromomite instantaneous water heaters provide hot water on demand and help to eliminate Legionella bacteria in the water. NOTE: Configured per application/unit.
- **LFN:** The laminar flow nozzle is a non-aerating flow controlling spout end device (2.2 GPM 20-80 PSI).
- **LM:** The light module houses a fluorescent light and diffuser to provide direct illumination of scrub bay.
- **MC:** A mounting carrier provides the necessary support for a scrub sink mounted off the floor.
- **PB:** A pedestal base provides support for scrub sinks specified as on-floor.
- **PDM:** The liquid soap dispenser is activated when a knee panel on the front of the unit is depressed.
- **SA:** The splash panel minimizes splashing and cross contamination between scrub bays.
- **SFS:** A built-in flushing system that cleans the soap dispensing lines and reservoir with hot water to prevent clogging.
- **SO:** Sensor operation activates water when the continuous beam from the electronic eye is interrupted by the user.
- **SS:** A storage shelf becomes an integral part of the backsplash.
- **SWV:** Up/Down Ball Joint w/Rosespray nozzle on gooseneck Spray. Adjustable for users' comfort preferences.



-DTD Digital Time Display



-ETC Electronic Timing Controller



-EYW Eyewash



-HTR Chromomite Heater



-LM Light Module



-MC Mounting Carrier



-PDM Liquid Soap Dispenser



-SS Storage Shelf

OPTIONS	DTD	ETC	EYW	HTR	LFN	LM	MC	PB	PDM	SA	SFS	SO	SS	SWV
For Surgical Scrub Sinks	•	•	•	•	•	•	•	•	•	•	•	•	•	•
For Compact Scrub Sinks			•	•	•		•							
For ADA Scrub Sinks			•	•	•		•							

# INFECTION CONTROL SINK

## INFECTION CONTROL SINK

Handwashing is one of the most powerful tools in the fight against the spread of infection. It is estimated that 100,000 people die from hospital-acquired infections each year. According to the United Nations health agency, hundreds of millions of infections could be prevented if health-care professionals, patients and their families wash their hands with alcohol-based rub or soap and water before and after touching patients and their surroundings. When done regularly by food handlers, handwashing can also prevent the spread of foodborne illness. Whitehall's Infection Control Sink has features that assist healthcare workers, patients, and food handlers with proper handwashing and reduce the spread of bacteria.



4150

### Infection Control Sink Features and Benefits:

- Constructed from solid-surface material that incorporates an antimicrobial additive from SteriTouch®, which reduces the growth of bacteria and mold that causes odors and staining.
- Internal slope defuses water flow, minimizing splash.
- Thin outside rim is angled downward to discourage users from placing objects on it.
- Offset drain prevents water from being dispensed directly into the drain, preventing bacteria in the drain from entering the sink basin via splashing.
- Optional trap cover.
- Different center sizing for faucets – user can specify a single hands-free option or a 4" center type of faucet.
- Optional sensor operated or wrist blade handle operated faucet.

**SteriTouch®**  
ANTIMICROBIAL PROTECTION

### ADA Compliant Infection Control Sink Features and Benefits:

- ADA Compliant design.
- Constructed from solid-surface material that has been treated with SteriTouch®, which reduces the growth of harmful bacteria and mold.
- Internal slope defuses water flow, minimizing splash.
- Thin outside rim is angled downward to discourage users from placing objects on it.
- Offset drain prevents water from being dispensed directly into the drain, preventing bacteria in the drain from entering the sink basin via splashing.
- Optional trap cover.
- Different center sizing for faucets – user can specify a single hands-free option or a 4" center type of faucet.



4150-ADA

SteriTouch and the SteriTouch logo are registered trademarks of SteriTouch Limited.



## WHITEHALL MANUFACTURING

Hospital and Rehabilitation Products

P.O. Box 3527

City of Industry, CA 91744 U.S.A.

800-782-7706 • 626-968-6681

[www.whitehallmfg.com](http://www.whitehallmfg.com)



## MORRIS GROUP INTERNATIONAL

Innovative Spirit and Engineering Foundation

“What sets us apart from competitors is our engineering and spirit. We have a ‘can-do’ spirit. If you ask us to do something, we will do it or figure out how to do it. That’s the part our customers like, that’s the part we like.”

- Don Morris, President and CEO

## MORRIS GROUP INTERNATIONAL



Since 1954

### ACORN ENGINEERING COMPANY

Manufacturer of Engineered Products

P.O. Box 3527 • City of Industry, CA 91744

Tel 800-488-8999 • 626-336-4561

Fax: 626-961-2200

[www.acorneng.com](http://www.acorneng.com)



### ACORN-GENCON PLASTICS, LLC

Injection Molded Products

13818 Oaks Avenue • Chino, CA 91710 U.S.A.

Tel 909-591-8461 • Fax 909-628-7465

[www.acorn-gencon.com](http://www.acorn-gencon.com)



### ACORNVAC, INC.

Vacuum Plumbing Systems

13818 Oaks Avenue, Chino, CA 91710

Tel. 800-591-9920 • Tel. 909-902-1141 • Fax: 909-902-5041

[www.acornvac.com](http://www.acornvac.com)



### CHRONOMITE LABORATORIES, INC.

Tankless Electric Water Heaters

P.O. Box 3527 • City of Industry, CA 91744-0527 U.S.A.

Tel 800-447-4962 • Fax 626-937-4279

[www.chronomite.com](http://www.chronomite.com)



### ELMCO GROUP

Manufacturer Representatives

P.O. Box 3787, City of Industry, CA 91744

15070 Proctor Ave. • City of Industry, CA 91746

Tel 626-333-9942 • Fax 626-961-3813

[www.morrisgroup.co](http://www.morrisgroup.co)



### JAY R. SMITH MFG. CO.®

Plumbing and Drainage Products

P.O. Box 3237 • Montgomery, AL 36109-0237

Tel 800-467-6484 • 334-277-8520 • Fax 334-272-7396

[www.jrsmith.com](http://www.jrsmith.com)



MORRIS INDUSTRIES  
MEXICO

### MORRIS INDUSTRIES MEXICO, S. DE R.L. DE C.V.

Central and Latin America Manufacturing and Sales

Maquiladoras #1387-1 Col.Cd. Industrial Tijuana, B.C., C.P. 22444

Tel 011-52-664-623-4580 • Fax 011-52-664-623-4590

[www.morrisgroup.co](http://www.morrisgroup.co)



### MORRIS PROPERTY MANAGEMENT COMPANY

Construction, Interior Design, Landscaping and Maintenance

15058 Proctor Avenue • City of Industry, CA 91746

Tel 626-855-4888 • Fax 626-855-4864

[www.morrispropertiesmgt.com](http://www.morrispropertiesmgt.com)



### MURDOCK MANUFACTURING

Drinking Fountains, Hydrants, Pre-engineered Modular Buildings, Restroom Fixtures and Accessories

P.O. Box 3527 • City of Industry, CA 91744-0527 U.S.A.

Tel 800-45-DRINK • 626-333-2543 • Fax 626-855-4860

[www.murdockmfg.com](http://www.murdockmfg.com)



### POTTER ROEMER

Fire Protection Equipment

P.O. Box 3527 • City of Industry, CA 91744-0527 U.S.A.

Tel 800-366-3473 • Fax 626-937-4777

[www.potterroemer.com](http://www.potterroemer.com)