



**Whitehall**  
Manufacturing™

## Moist Heat Therapy

A MEMBER OF  
MORRIS GROUP  
INTERNATIONAL

### Thermalator Stationary Moist Heating Unit Models T-4-S, T-6-S, T-8-S

Shown from Left to Right  
T-4-S, T-6-S and T-8-S



Picture may show some available options

**Whitehall Thermalators** have the best elements of a thermal therapy unit to maintain a constant water temperature for comfortable effective therapy. Model T-4-S is recommended for use in small clinics or home use. Models T-6-S and T-8-S are recommended for use in medium sized clinics.

**Unit** is fabricated from heavy gauge, type 304 stainless steel polished to a satin finish. Cover has a continuous hinge pin and a built in stop that will keep it in the upright position when open.

**Interior Wire Rack** is vinyl coated stainless steel and will hold Thermal Packs in the upright position.

**Heating Unit** has a built-in adjustable thermostat which ranges between 65° and 165°F, and is certified to UL Standards. On/off switch had a built-in light to indicate that the unit is on. (Thermalators are furnished complete with rack and a set of Thermal Packs.)

#### GUIDE SPECIFICATIONS

Thermalator shall be fabricated from heavy gauge, type 304 stainless steel, polished to satin finish. Cover shall have a continuous hinge pin and a built-in stop that will hold it in the upright position when open. Heating unit is certified to UL Standards and shall have an adjustable thermostat which ranges between 65° and 165°F. On/off switch shall have a built-in light to indicate when unit is on.

(Thermalators are furnished complete with rack and a set of Thermal Packs.)

Please visit [www.whitehallmfg.com](http://www.whitehallmfg.com)  
for most current specifications.



Member of  
U.S. Green  
Building  
Council



Recyclable  
Product

Whitehall Mfg. > P.O. Box 3527 > City of Industry, CA 91744 > (800) 782-7706 > (626) 968-6681 > Fax (626) 855-4862

T-S

Updated: 08/6/18



### MODEL NUMBER AND OPTIONS SELECTION

#### BASE MODEL NUMBER

- T Thermalator 115 Volt
- ET Thermalator 220 Volt (€€)

#### CAPACITY (Must Specify)

- 4 4 Thermal Packs, 10" x 12"
- 6 6 Thermal Packs, Assorted Sizes
- 8 8 Thermal Packs, 10" x 12"

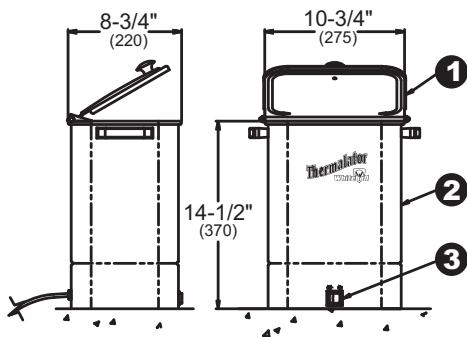
#### TYPE

- S Stationary

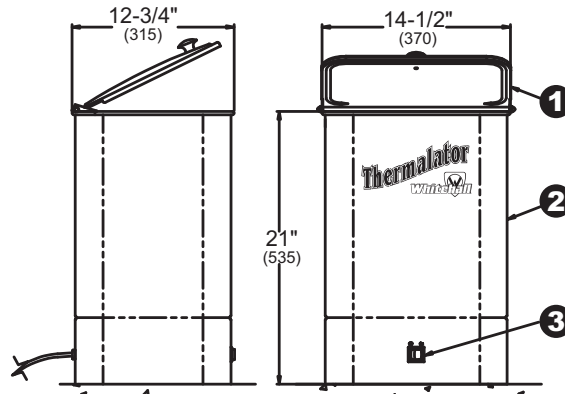
### PRODUCT OPTIONS (Must Specify)

- ADH Auxiliary Drain Hose, 5 ft.
  - DG Digital Thermometer
  - EG Enviro Glaze Color Powder Coating
- Specify Color: \_\_\_\_\_ (Special Finish Consult Factory)
- GFI Ground Fault Interrupter
  - IW4 Insulated Wrap for T-4-S
  - IW6 Insulated Wrap for T-6-S
  - SBW Side Bottle Warmer for T-4-S or T-6-S

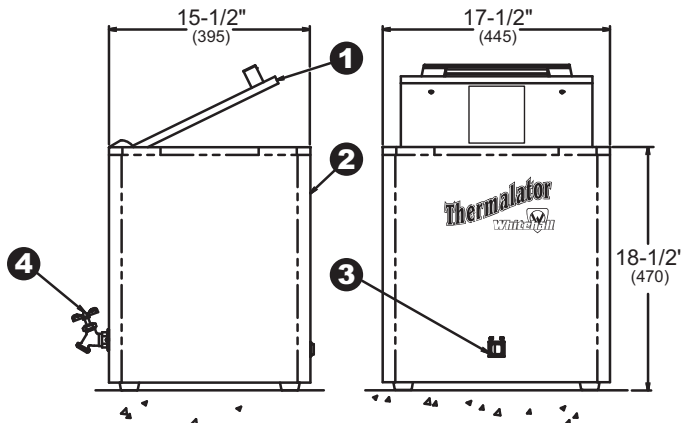
All dimension figures in parentheses are in millimeters.



**T-4-S Stationary Thermalator**



**T-6-S Stationary Thermalator**



**T-8-S Stationary Thermalator**

#### NOTES:

- 1) Lid with Hinge Pin & Stop
- 2) Stainless Steel Thermalator Tank
- 3) Illuminated On/Off Indicator Switch
- 4) 3/4" (20 mm) Hose Bib Drain

**WARNING:** Cancer and Reproductive Harm - [www.P65Warnings.ca.gov](http://www.P65Warnings.ca.gov)

### SELECTION SUMMARY & APPROVAL FOR MANUFACTURING

Model Number & Options \_\_\_\_\_ Quantity \_\_\_\_\_  
 Company \_\_\_\_\_ Date \_\_\_\_\_  
 Contact \_\_\_\_\_ Title \_\_\_\_\_  
 Approval for Manufacturing/Signature \_\_\_\_\_

All dimensions are nominal and subject to manufacturer's change without notice. Whitehall assumes no responsibility for use of void or suspended data © Whitehall Manufacturing, Member of Morris Group International. Please visit [www.whitehallmfg.com](http://www.whitehallmfg.com) for most current specifications.