



Division of Acorn
 Engineering Company

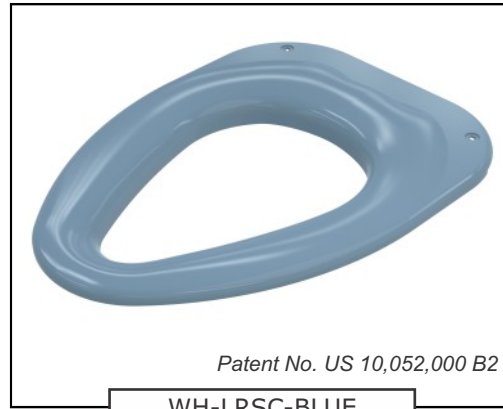


A MEMBER OF



MORRIS GROUP
 INTERNATIONAL

Whitehall Ligature Resistant Toilet Seat Cover is recommended for patient rooms and facilities where ligature points are a concern. This Seat does not hinge up and down and is designed to be permanently affixed by means of vandal resistant mechanical fasteners and/or silicone adhesive. This Seat is an elongated bowl design and designed to exclusively fit Whitehall Ligature Resistant Toilets. Seat is constructed of durable ABS plastic with anti-microbial additives to protect from fungal growth and reduce or mitigate the development of odors due to the growth of bacteria.



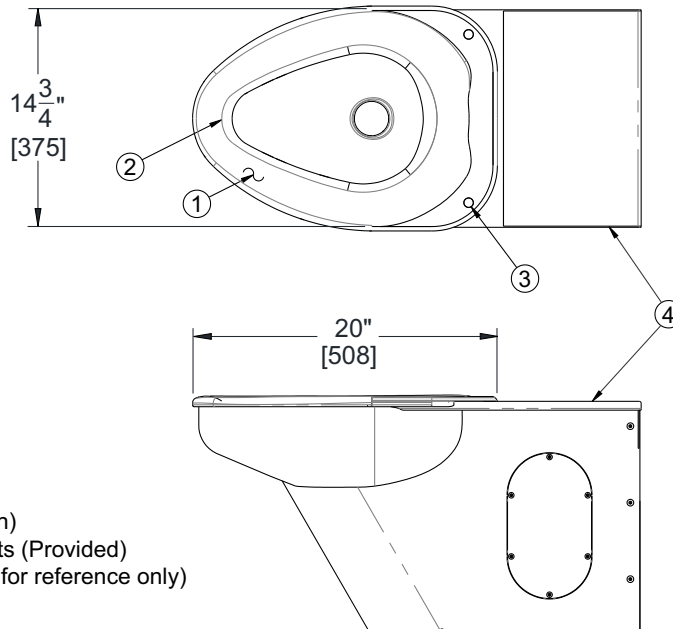
Patent No. US 10,052,000 B2

WH-LRSC-BLUE

MODEL NUMBER AND OPTIONS SELECTION:

BASE MODEL NUMBER

- WH-LRSC-BLUE Ligature Resistant Seat Cover, Dignity Blue
- WH-LRSC-GRAY Ligature Resistant Seat Cover, Gray
- WH-LRSC-WHITE Ligature Resistant Seat Cover, White



NOTES:

1. ABS Plastic Seat
2. #10-24 UNC Set Screw (Not Shown)
3. 1/4-20 UNC Carriage Nuts and Bolts (Provided)
4. Whitehall BestCare Toilet (Shown for reference only)

DISCLAIMER:

This product is designed to decrease the probability that it may be utilized as an apparatus for ligature. It is not a replacement for professionals who are trained in the proper evaluation, management and supervision of persons at risk of suicide.

WARNING: Cancer and Reproductive Harm - www.P65Warnings.ca.gov



All dimensions are nominal and subject to manufacturer's change without notice. Whitehall assumes no responsibility for use of void or superseded data © Whitehall Manufacturing, Member of Morris Group International. Please visit www.whitehallmfg.com for most current specifications.

SELECTION SUMMARY & APPROVAL FOR MANUFACTURING

Model Number & Options _____ Quantity _____
 Company _____ Date _____
 Contact _____ Title _____
 Approval for Manufacturing/Signature _____