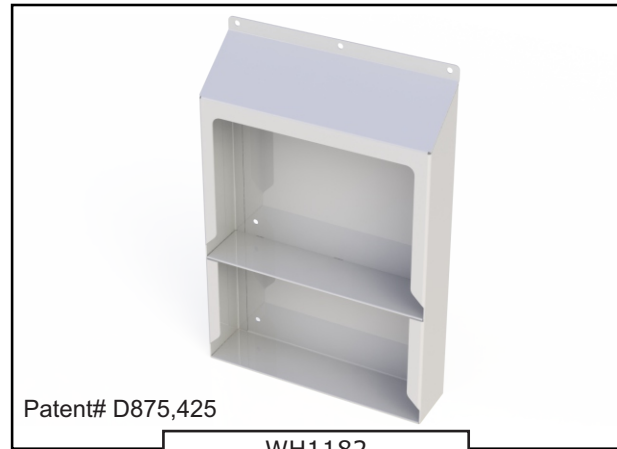




**Vanity Shelf**

The Whitehall Ligature Resistant Vanity Shelf is designed to be used in place of Medicine Cabinets where concealment of items is not recommended. The Vanity Shelf is installed on finished wall from the front side. The Sloping Top makes this item ideal for ligature resistant applications. The open Shelf design is easily inspected preventing the concealment of contraband. The Two-Shelf design allows storage for short and tall items. This Vanity Shelf is fabricated from 16 gage, type 304 stainless steel with all exposed surfaces powder coated white. -SS stainless steel finish is also available. Furnished with 1/4"-20 UNC Tamper Resistant Screws for used with Wall Anchors provided by others.



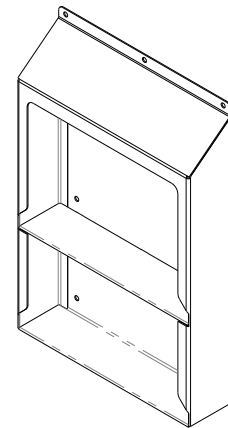
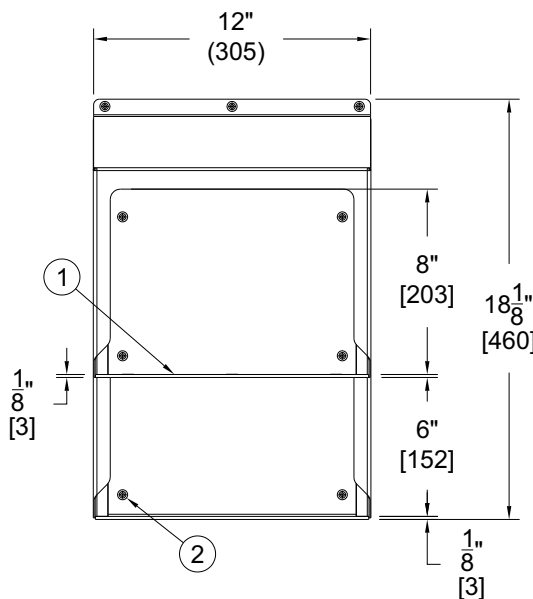
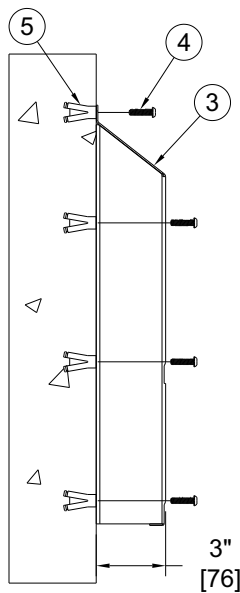
Patent# D875,425

WH1182

**MODEL NUMBER AND OPTIONS SELECTION:**

**BASE MODEL NUMBER**

- WH1182 Vanity Shelf (White)
- WH1182-SS Vanity Shelf (Stainless Steel)



1. Storage Shelf
2. 9/32" Mounting Holes
3. Sloping Top
4. 1/4-20 UNC Vandal Resistant Button Head Screws
5. Wall Anchors, by others

**DISCLAIMER:**

This product is designed to decrease the probability that it may be utilized as an apparatus for ligature. It is not a replacement for professionals who are trained in the proper evaluation, management and supervision of persons at risk of suicide.

**⚠ WARNING: Cancer and Reproductive Harm - www.P65Warnings.ca.gov**

**SELECTION SUMMARY & APPROVAL FOR MANUFACTURING**

Model Number & Options \_\_\_\_\_ Quantity \_\_\_\_\_  
 Company \_\_\_\_\_ Date \_\_\_\_\_  
 Contact \_\_\_\_\_ Title \_\_\_\_\_  
 Approval for Manufacturing/Signature \_\_\_\_\_



All dimensions are nominal and subject to manufacturer's change without notice. Whitehall assumes no responsibility for use of void or superseded data © Whitehall Manufacturing, Member of Morris Group International. Please visit [www.whitehallmfg.com](http://www.whitehallmfg.com) for most current specifications.