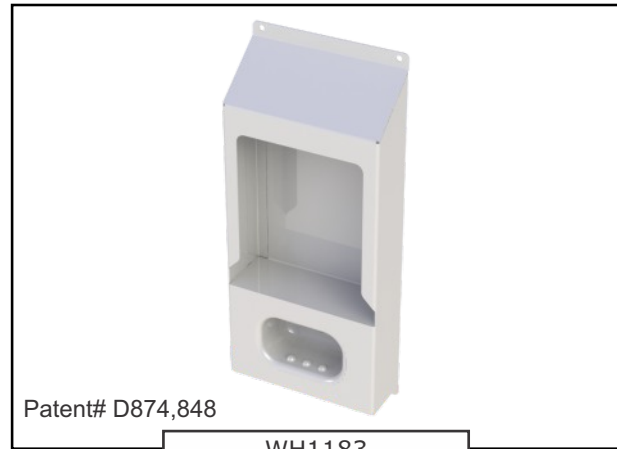




Shower Caddy

The Whitehall Ligature Resistant Shower Caddy is designed to be used in Shower or Tub areas. The Shower Caddy is installed on finished wall from the front side. The Sloping Top makes this item ideal for ligature resistant applications. The open Shelf design is easily inspected preventing the concealment of contraband. The die formed Soap Dish has raised dimples to provide air circulation around the soap bar, keeping it dry. This Shower Caddy is fabricated from 16 gage, type 304 stainless steel with all exposed surfaces powder coated white. -SS stainless steel finish is also available. Furnished with 1/4"-20 UNC Tamper Resistant Screws for used with Wall Anchors provided by others.



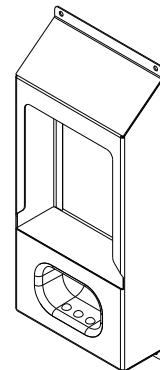
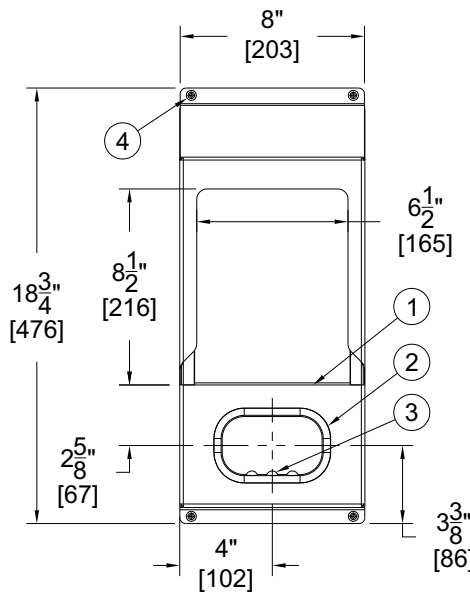
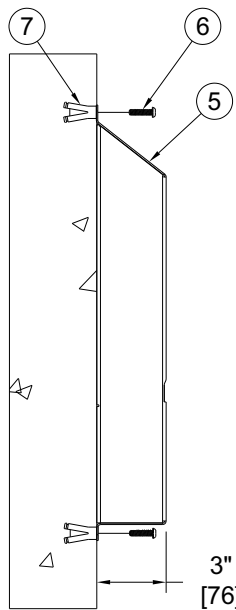
Patent# D874,848

WH1183

MODEL NUMBER AND OPTIONS SELECTION:

BASE MODEL NUMBER

- WH1183 Shower Caddy (White)
- WH1183-SS Shower Caddy (Stainless Steel)



- 1- Storage Shelf
- 2- Soap Dish
- 3- Raised Dimples
- 4- 9/32" Mounting Holes
- 5- Sloped Top
- 6- 1/4-20 UNC Vandal Resistant Button Head Screws
- 7- Wall Anchors, by others

DISCLAIMER:

This product is designed to decrease the probability that it may be utilized as an apparatus for ligature. It is not a replacement for professionals who are trained in the proper evaluation, management and supervision of persons at risk of suicide.

WARNING: Cancer and Reproductive Harm - www.P65Warnings.ca.gov

SELECTION SUMMARY & APPROVAL FOR MANUFACTURING

Model Number & Options _____ Quantity _____
 Company _____ Date _____
 Contact _____ Title _____
 Approval for Manufacturing/Signature _____



All dimensions are nominal and subject to manufacturer's change without notice. Whitehall assumes no responsibility for use of void or superseded data © Whitehall Manufacturing, Member of Morris Group International. Please visit www.whitehallmfg.com for most current specifications.