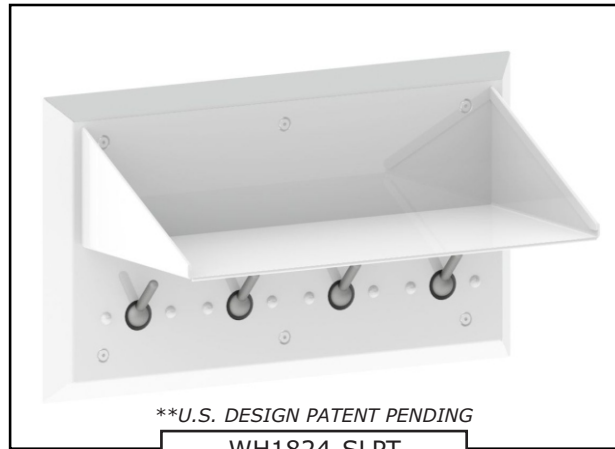




**Ligature Resistant Bookshelf with Clothes Hooks** is recommended for installation in patient rooms or day rooms. Bookshelf is fabricated of 14 gage type 304 stainless steel with exposed surfaces powder coated white or polished to a satin finish. Auto-release clothes hooks are tested to hold a minimum of 20 lbs. and release at 40 lbs. or greater. Panel is furnished with 1/4"-20 UNC tamper-resistant screws for use with installer provided wall anchors.



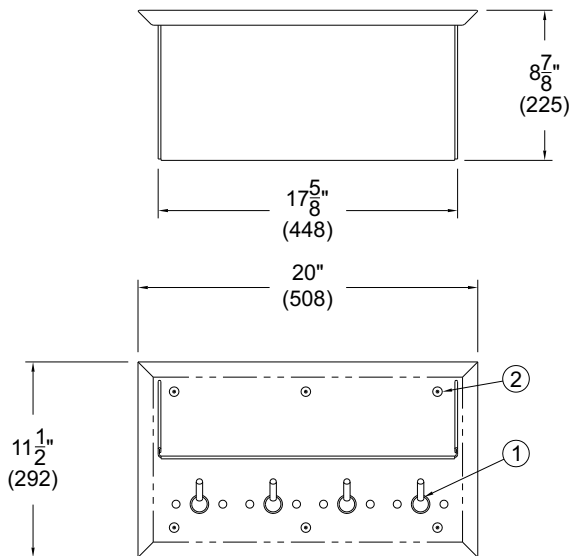
\*\*U.S. DESIGN PATENT PENDING

WH1824-SLPT

**MODEL NUMBER AND OPTIONS SELECTION:**

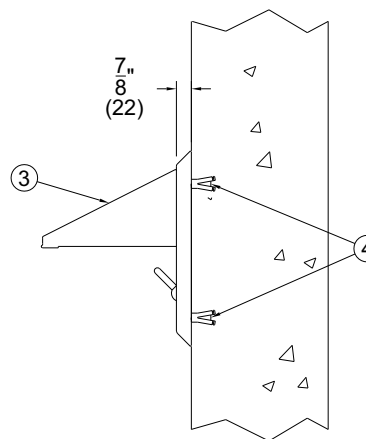
**BASE MODEL NUMBER**

- WH1824-SLPT Bookshelf with Hooks, Front Mount (White)
- WH1824-SLPT-SS Bookshelf with Hooks, Front Mount (Stainless Steel)



**NOTES:**

1. Auto-Release Clothes Hooks
2. 1/4"-20 UNC Tamper-Resistant Screws
3. Bookshelf
4. Wall Anchors (By Others)



**DISCLAIMER:**

This product is designed to decrease the probability that it may be utilized as an apparatus for ligature. It is not a replacement for professionals who are trained in the proper evaluation, management and supervision of persons at risk of suicide.

**WARNING:** Cancer and Reproductive Harm - [www.P65Warnings.ca.gov](http://www.P65Warnings.ca.gov)



Member of  
 U.S. Green  
 Building  
 Council



Recyclable  
 Product

All dimensions are nominal and subject to manufacturer's change without notice. Whitehall assumes no responsibility for use of void or superseded data © Whitehall Manufacturing, Member of Morris Group International. Please visit [www.whitehallmfg.com](http://www.whitehallmfg.com) for most current specifications.

**SELECTION SUMMARY & APPROVAL FOR MANUFACTURING**

Model Number & Options \_\_\_\_\_ Quantity \_\_\_\_\_  
 Company \_\_\_\_\_ Date \_\_\_\_\_  
 Contact \_\_\_\_\_ Title \_\_\_\_\_  
 Approval for Manufacturing/Signature \_\_\_\_\_