



Whitehall Manufacturing®
 Manufacturer of Healthcare and Rehabilitation Products since 1946

BestCare®
 Patients, Not Prisoners®

**Healthcare and Ligature
 Resistant Products**

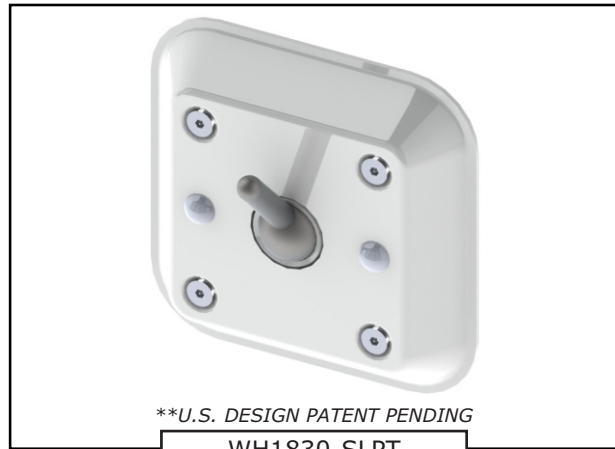
Division of
 Acorn Engineering Company®



A MEMBER OF



Auto-Release, Single Hook, Clothes Hook Panel is recommended for cell, shower room or day rooms. Unit is fabricated of 14 gage type 304 stainless steel with exposed surfaces powder coated white or polished to a satin finish. Auto-release hook is tested to hold a minimum of 20 lbs. and release at 40 lbs. or greater. Panel is furnished with 1/4"-20 UNC tamper-resistant screws for use with installer provided wall anchors.



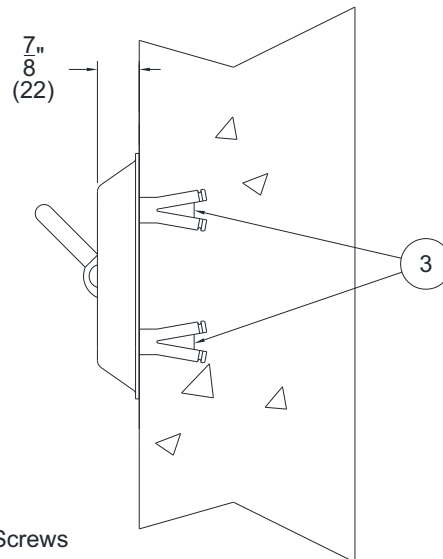
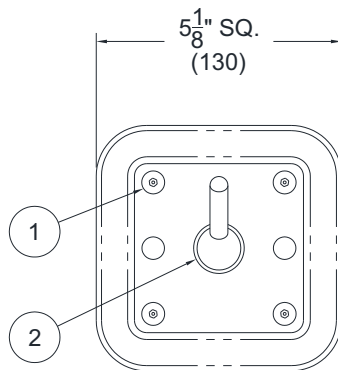
**U.S. DESIGN PATENT PENDING

WH1830-SLPT

MODEL NUMBER AND OPTIONS SELECTION:

BASE MODEL NUMBER

- WH1830-SLPT Clothes Hook, Front Mount (White)
- WH1830-SLPT-SS Clothes Hook, Front Mount (Stainless Steel)



NOTES:

1. 1/4"-20 UNC Tamper-Resistant Screws
2. Clothes Hook
3. Wall Anchors (By Others)

DISCLAIMER:

This product is designed to decrease the probability that it may be utilized as an apparatus for ligature. It is not a replacement for professionals who are trained in the proper evaluation, management and supervision of persons at risk of suicide.

⚠ WARNING: Cancer and Reproductive Harm - www.P65Warnings.ca.gov

SELECTION SUMMARY & APPROVAL FOR MANUFACTURING

Model Number & Options _____ Quantity _____
 Company _____ Date _____
 Contact _____ Title _____
 Approval for Manufacturing/Signature _____



Member of
 U.S. Green
 Building
 Council



Recyclable
 Product

All dimensions are nominal and subject to manufacturer's change without notice. Whitehall assumes no responsibility for use of void or superseded data © Whitehall Manufacturing, Member of Morris Group International. Please visit www.whitehallmfg.com for most current specifications.

Whitehall Mfg. • P.O. Box 3527 • City of Industry, CA 91744 • (800) 782-7706 • (626) 968-6681 • Fax (626) 855-4862

WH1830-SLPT

Updated: 08/04/18