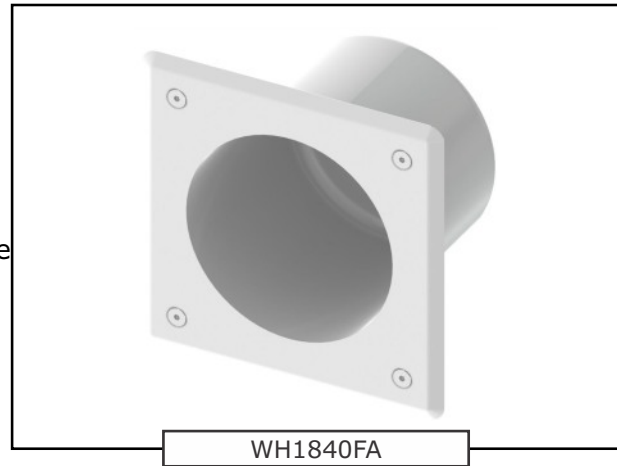




Recessed Toilet Paper Holder is die formed from type 304 stainless steel with exposed surfaces powder coated white or polished to a satin finish. Paper Holder is arranged to be installed on finished wall from the front. Wide flange is beveled to provide a uniform surface, ensuring a tight fit between the rim and the wall. When Paper Holder is mounted on the finished wall, the recommended installation is approximately 18" above the toilet seat and 12" off of toilet centerline. Paper holder is furnished with 1/4"-20 UNC tamper-resistant screws for use with installer provided wall anchors.

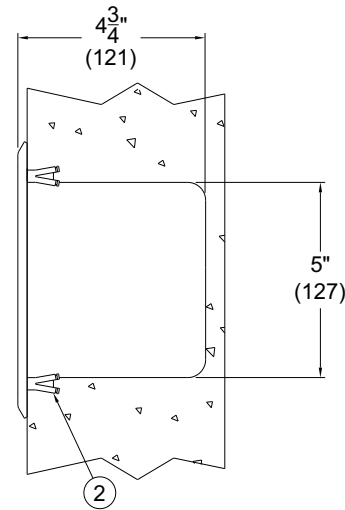
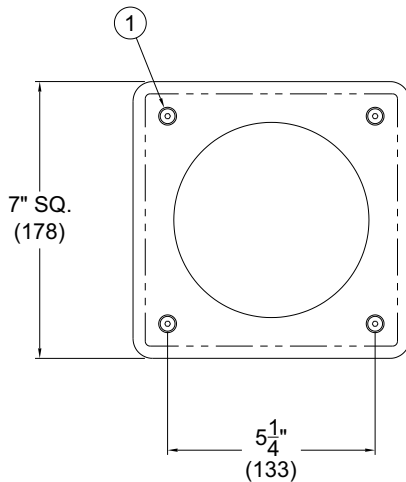


WH1840FA

MODEL NUMBER AND OPTIONS SELECTION:

BASE MODEL NUMBER

- WH1840FA Recessed Paper Holder (White)
- WH1840FA-SS Recessed Paper Holder (Stainless Steel)



NOTES:

1. 1/4"-20 UNC Tamper-Resistant Screws
2. Wall Anchors By Others

DISCLAIMER:

This product is designed to decrease the probability that it may be utilized as an apparatus for ligature. It is not a replacement for professionals who are trained in the proper evaluation, management and supervision of persons at risk of suicide.

WARNING: Cancer and Reproductive Harm - www.P65Warnings.ca.gov



All dimensions are nominal and subject to manufacturer's change without notice. Whitehall assumes no responsibility for use of void or superseded data © Whitehall Manufacturing, Member of Morris Group International. Please visit www.whitehallmfg.com for most current specifications.

SELECTION SUMMARY & APPROVAL FOR MANUFACTURING

Model Number & Options _____ Quantity _____
 Company _____ Date _____
 Contact _____ Title _____
 Approval for Manufacturing/Signature _____