



Division of
 Acorn Engineering Company®

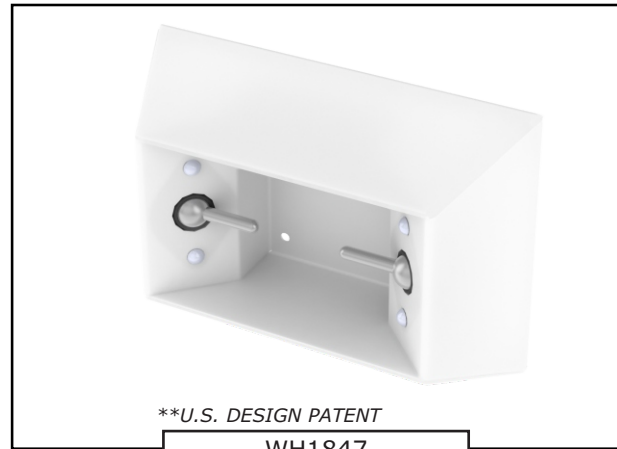


A MEMBER OF



Ligature Resistant Surface Mount Auto-Release Paper Holder

Paper Holder is arranged to be installed on finished wall from the front. Paper holder housing fabricated from 16 gage, type 304 stainless steel with all exposed surfaces powder coated white. Auto-release pins release at 40 lbs. or greater. Paper Holder is furnished with 1/4"-20 tamper resistant screws for use with installer provided wall anchors.



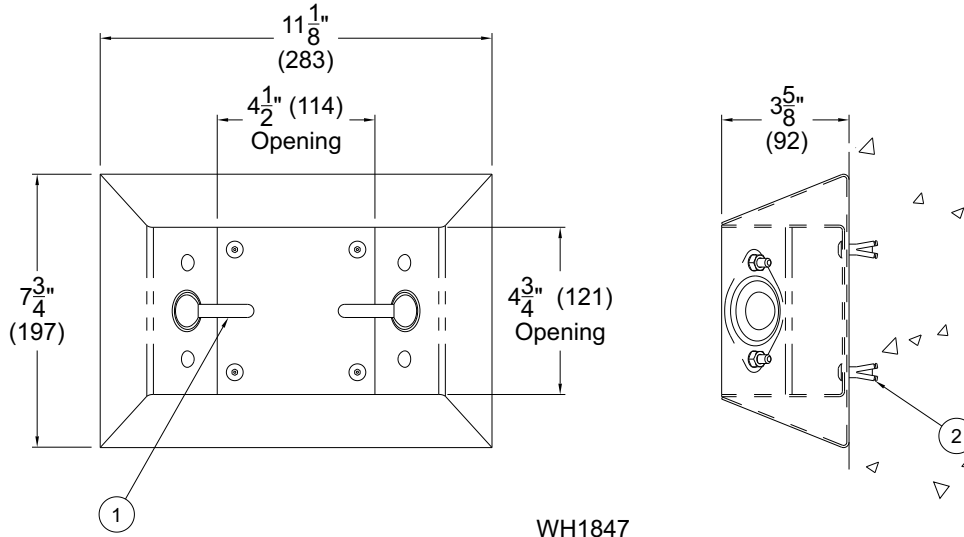
**U.S. DESIGN PATENT

WH1847

MODEL NUMBER AND OPTIONS SELECTION:

BASE MODEL NUMBER

- WH1847 Ligature Resistant Surface Mount Auto-Release Paper Holder (White)
- WH1847-SS Ligature Resistant Surface Mount Auto-Release Paper Holder (Stainless Steel)



WH1847

NOTES:

1. Auto-Release Pins
2. Wall Mounting Anchors By Others

DISCLAIMER:

This product is designed to decrease the probability that it may be utilized as an apparatus for ligature. It is not a replacement for professionals who are trained in the proper evaluation, management and supervision of persons at risk of suicide.

WARNING: Cancer and Reproductive Harm - www.P65Warnings.ca.gov

SELECTION SUMMARY & APPROVAL FOR MANUFACTURING

Model Number & Options _____ Quantity _____
 Company _____ Date _____
 Contact _____ Title _____
 Approval for Manufacturing/Signature _____



Member of
 U.S. Green
 Building
 Council



Recyclable
 Product

All dimensions are nominal and subject to manufacturer's change without notice. Whitehall assumes no responsibility for use of void or superseded data © Whitehall Manufacturing, Member of Morris Group International. Please visit www.whitehallmfg.com for most current specifications.