



**Bariatric On-Floor Toilet  
 ADA Compliant**

Model WH2125-A



WH2125-A-W-2-EG-HSBJ

Fixture May Show Some Available Options

**Bariatric On-Floor Toilet  
 ADA Compliant**

Fixture is arranged to be installed on a finished wall optionally from the front or rear. Unit is fabricated of 14 gage, type 304 stainless steel and is seamless welded construction. Fixture (less -HSBJ Hinged Seat option) shall withstand loads up to 2,000 lbs. with no measurable deflection and loads up to 5,000 lbs. with no permanent damage. Optional -HSBJ Big John® Hinged Toilet Seat is rated at 1,200 lbs. Fixture exterior and Bowl interior has a satin finish. Optional -EG Enviro-Glaze color finishes are available. Housing includes side Access Panels to facilitate installation of fixture and Hinged Seat by others. Toilet complies with ADA requirements for accessibility. Compliance is subject to the interpretation and requirements of the local code authority.

**Toilet** is optionally available in both Floor Outlet or Wall Outlet with elongated Bowl and an overall depth of 29". Fixtures are manufactured to comply with ASME A112.19.3 and CSA B45.4 standards. Toilet requires a minimum of 25 PSI flow pressure and uses a minimum water consumption of 1.28 GPF. Trap will pass a 2-1/8" ball and is fully enclosed with a minimum 3-1/2" seal.

**Wall Outlet** configurations with Front Mounting (-FM) include a wall waste outlet with a 7-1/2" Dia. Recessed Gasket Flange. Rear Mount (-RM) fixtures include a 2-3/8" Dia. plain end Toilet Waste that extends 3" beyond back of fixture.

**Floor Outlet** configurations include a floor waste outlet with a 7-1/2" Dia. Recessed Gasket Flange for both Front (-FM) and Rear (-RM) mount installations.

**Flush Valve** supply is additionally available for exposed or concealed Flush Valve styles in 1.28 GPF, 1.6 GPF, or 3.5 GPF and with 1-1/2" NPT connection.

**GUIDE SPECIFICATION**

Provide and install Whitehall Bariatric ADA Compliant Toilet (specify model number and options). Unit shall conform to ADA requirements. Fixture shall be fabricated from 14 gage, type 304 stainless steel. Construction shall be seamless welded and exposed surfaces shall have a satin finish. Toilet shall have an elongated Bowl with a self-draining Flushing Rim and punching for Seat by others. Toilet shall be ASME A112.19.3 and CSA B45.4 compliant. Toilet requires a minimum of 25 PSI flow pressure and uses a minimum water consumption of 1.28 GPF. Fully enclosed Toilet Trap shall have a minimum 3-1/2" seal that shall pass a 2-1/8" diameter ball.

Please visit [www.whitehallmfg.com](http://www.whitehallmfg.com) for most current specifications.



Member of  
U.S. Green  
Building  
Council



Recyclable  
Product



Water  
Conserving  
Product

Complies  
with the  
following  
standards:





**WALL THICKNESS AND TYPE (Must Specify)**

Thickness \_\_\_\_\_ Type \_\_\_\_\_

**MODEL NUMBER AND OPTIONS SELECTION**

**BASE MODEL NUMBER**

WH2125-A Bariatric Toilet ADA Compliant

**SUPPLY (Must Specify)**

- T Top (Exposed)
- W Wall (Concealed)

**FIXTURE MOUNTING AND WASTE (Must Specify)**

- 2 On-Floor, Wall Outlet
- 3 On-Floor, Floor Outlet

**INSTALLATION (Must Specify)**

- FM Front Mount
- RM Rear Mount (Note: Requires Accessible Rear Plumbing Chase.)

**FLUSH VALVE GPF's (Must Specify)**

- 1.28 GPF (HET)
- 1.6 GPF
- 3.5 GPF

**FLUSHING INLET LOCATION (Must Specify for Wall Supply)**

- LFV Flush Valve Left
- RFV Flush Valve Right (Shown)

**FLUSH VALVE OPTIONS (Must Specify)**

**\*SEE WHITEHALL LIGATURE RESISTANT**

**SUPPLEMENTARY MATERIAL FOR FLUSH VALVE COVERS AND BOXES\***

- FV Flush Valve, Mechanical (N/A for ADA)
- FVBO Flush Valve by Others
- FVH Flush Valve, Hydraulic (Wall Supply)
- FVL Flush Valve, ADA Lever Handle (Wall Supply)
- MVCFV Time-Trol Flush Valve (N/A for Top Supply)

**TOILET SEAT OPTIONS**

- HSBJ Big John® Hinged Seat 1,200 lbs Rated
  - Open Front Less Cover (Shown Below)
  - Open Front With Cover
- LPFS Less Punch for Hinged Seat 17" Flood Rim AFF

**TOILET OPTIONS**

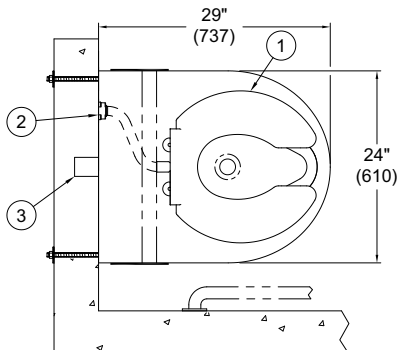
- BL Bedpan Lugs
- FT Flood-Trol (N/A w/ Top Supply)\*\*
- FTA Flood-Trol Auto-Reset (N/A w/ Top Supply)\*\*
- FTE Flood-Trol Electronic\*\*

(NOTE: \*\*Not available with Top Supply or -FM Front Mount)

- FVT Flush Thru Wall Connector
- PE Plain End Toilet Waste (Standard on Rear Mount Units)
- TF Transformer, 120VAC to 24VAC (For -MVCFV)
- TSC Toilet Shipping Cover
- WO3B 2-3/8" P-Trap w/ 3" Plain End Waste Outlet (Rear Mount Only)

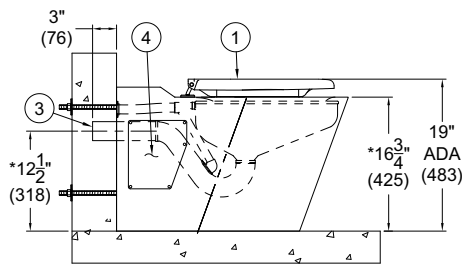
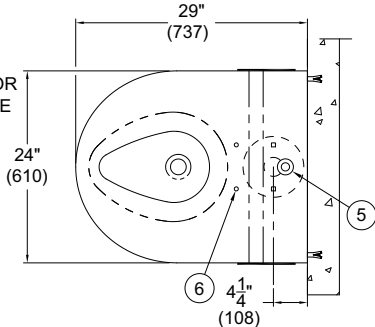
**PRODUCT OPTIONS**

- EGE Enviro-Glaze Color Specify: \_\_\_\_\_
- SW Wall Sleeve (-RM Only)
- VAC AcornVac System



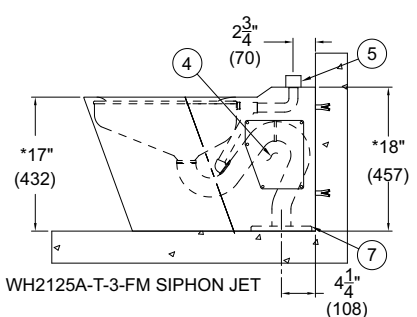
**NOTES:**

1. OPTIONAL -HSBJ BIG JOHN HINGED SEAT
2. -RFV OFFSET FLUSHING INLET SHOWN FOR -W CONCEALED SUPPLY. -LFV IS OPPOSITE
3. Ø2-3/8" PLAIN END WASTE OUTLET
4. LEFT AND RIGHT ACCESS PANELS
5. OPTIONAL -T TOP SUPPLY SHOWN
6. PUNCHING FOR HINGED SEAT
7. Ø7-1/2" GASKET FLANGE WASTE OUTLET



WH2125A-W-2-RM-RFV-HSBJ BLOWOUT JET

\*FIXTURE INTENDED TO MEET ADA SEAT HEIGHT REQUIREMENTS WHEN OPTIONAL -LPFS IS SELECTED. FLOOD RIM BECOMES 17" AFF. ADA REQUIRES A MINIMUM OF 17" TO 19" MAXIMUM MEASURED FROM THE TOP OF THE SEAT TO THE FLOOR.



WH2125A-T-3-FM SIPHON JET

**WARNING:** Cancer and Reproductive Harm - [www.P65Warnings.ca.gov](http://www.P65Warnings.ca.gov)

**SELECTION SUMMARY & APPROVAL FOR MANUFACTURING**

Model Number & Options \_\_\_\_\_ Quantity \_\_\_\_\_  
 Company \_\_\_\_\_ Date \_\_\_\_\_  
 Contact \_\_\_\_\_ Title \_\_\_\_\_  
 Approval for Manufacturing/Signature \_\_\_\_\_

All dimensions are nominal and subject to manufacturer's change without notice. Whitehall assumes no responsibility for use of void or superseded data © Whitehall Manufacturing, Member of Morris Group International. Please visit [www.whitehallmfg.com](http://www.whitehallmfg.com) for most current specifications.