



**Whitehall Manufacturing®**  
 Manufacturer of Healthcare and Rehabilitation Products since 1946

**BestCare®**  
 Patients, Not Prisoners®

**Healthcare and Ligature  
 Resistant Products**

Division of  
 Acorn Engineering Company®



A MEMBER OF



## Whitehall Ligature Resistant Siphon Jet Toilet (With Flush Valve Cover Provided Separately)

Model WH2142-ADA-T-EGE10  
 (Top Supply)

Optional WH2802-ADA  
 Flush Valve Cover  
 w/Flush Valve shown  
 for reference.  
 (Required for Ligature  
 Resistant Installation.)



WH2142-ADA-T-EGE10

### Ligature Resistant Siphon Jet Toilet - ADA 2010 Compliant

**Ligature Resistant Siphon Jet Toilet** is arranged to be installed on a finished wall from the front side with a fixture-to-wall mounting channel. Unit is fabricated from 16 gage, type 304 stainless steel and is seamless welded construction with exterior surfaces powder coated white (interior of toilet will have a satin finish and will not be powder coated). Toilet will be provided with WH-LRSC-GRAY Ligature Resistant ABS Toilet Seat Cover.

**Toilet** is siphon jet type with an elongated bowl manufactured to comply with ASME A112.19.3, CSA B45.4 and 2010 ADA Standards for Accessible Design. Toilet requires a minimum of 25 PSI flow pressure and uses a minimum water consumption of 1.28 GPF. Trap has a minimum 3-1/2" seal, will pass a 2-1/8" ball and is fully enclosed. Toilet has a 1-1/2" NPT flushing inlet connection. Wall waste outlet connection is a 5-1/2" gasket flange. Floor waste outlet locations rear of fixture are 10" or 12" with a 7-1/2" gasket flange.

**Optional Hydraulic Flush Valve** is a exposed type with cast bronze body. Flush valve features quiet operation and includes a suicide resistant pushbutton, union angle stop and vacuum breaker. All exposed parts are chrome plated.

**Optional Flush Valve Cover** is 16 gage, type 304 stainless steel with all exposed surfaces powder coated white. It is furnished with six removable wall brackets secured with vandal resistant screws. Refer to WH2802SLPT-ADA submittal for additional information.

#### GUIDE SPECIFICATION

Provide and install Whitehall Best-Care™ Ligature Resistant ADA 2010 Compliant Toilet (specify model number and options). Fixture shall be fabricated from 16 gage, type 304 stainless steel. Construction shall be seamless welded and exterior surfaces are powder coated white. Housing to include side access panels. Toilet shall be concealed siphon jet type with an elongated bowl and self-draining flushing rim. Toilet shall be ASME A112.19.3, CSA B45.4, and ADA 2010 compliant. Toilet requires a minimum of 25 PSI flow pressure and uses a minimum water consumption of 1.28 GPF. Toilet trap shall have a minimum 3-1/2" seal and shall pass a 2-1/8" diameter ball and is fully enclosed. Provided with WH-LRSC-GRAY Whitehall Ligature Resistant ABS Toilet Seat Cover.

• **Patented US 10,052,000 B2**

Please visit [www.whitehallmfg.com](http://www.whitehallmfg.com)  
 for most current specifications.



Member of  
 U.S. Green  
 Building  
 Council



Recyclable  
 Product



Water  
 Conserving  
 Product

Complies  
 with the  
 following  
 standards:



Whitehall Mfg. • P.O. Box 3527 • City of Industry, CA 91744 • (800) 782-7706 • (626) 968-6681 • Fax (626) 855-4862

**WH2142-ADA-T**

Revised: 04/04/19



**MODEL AND OPTIONS SELECTION**

**BASE MODEL NUMBER**

- WH2142-ADA-T-2-EGE10 Wall Outlet, Siphon Jet Toilet
- WH2142-ADA-T-3-EGE10\_10 Floor Outlet, Siphon Jet Toilet, (10" rough-in from wall to the center of waste outlet)
- WH2142-ADA-T-3-EGE10\_12 Floor Outlet, Siphon Jet Toilet, (12" rough-in from wall to the center of waste outlet)

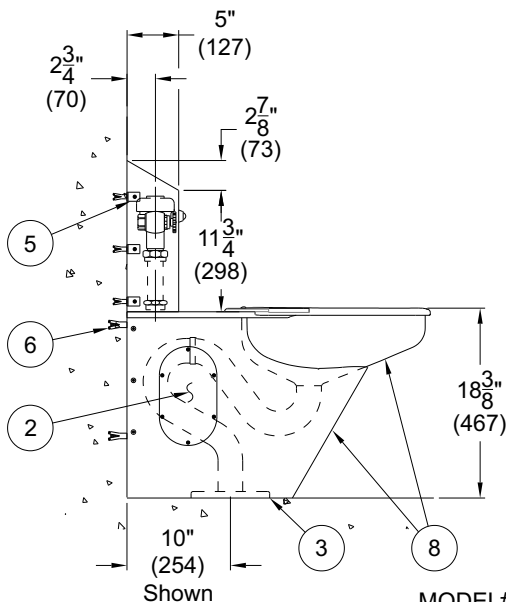
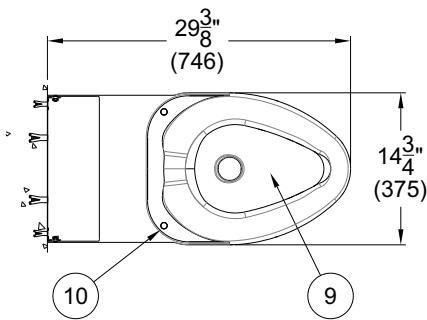
**Optional Flush Valve Cover w/ Flush Valve:**

- WH2802SLPT-ADA-EG10-1.28 Ligature Resistant Flush Valve ADA Cover (White) w/ 1.28 GPF Hydraulic Flush Valve
- WH2802SLPT-ADA-EG10-1.6 Ligature Resistant Flush Valve ADA Cover (White) w/ 1.6 GPF Hydraulic Flush Valve

**Accessories:**

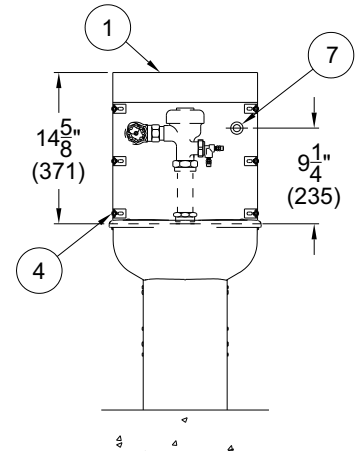
Note: Gray Ligature Resistant Seat Cover is Standard

- WH-LRSC-WHITE Ligature Resistant Seat Cover, White (Shipped Loose)
- WH-LRSC-BLACK Ligature Resistant Seat Cover, Black (Shipped Loose)



**NOTES:**

1. Optional Flush Valve Cover with Flush Valve
2. Access Panel (Both Sides)
3. Toilet Floor Waste Outlet
4. Vandal Resistant Fasteners
5. Mounting Clips
6. Wall Anchors and Anchoring Hardware By Others
7. Hydraulic Flush Valve Pushbutton Actuator
8. Exterior Surfaces Powder Coated White
9. Interior of Toilet w/ Satin Finish (Not Powder Coated)
10. WH-LRSC-GRAY Whitehall Ligature Resistant ABS Toilet Seat Cover



All dimensions are nominal and subject to manufacturer's change without notice. Whitehall assumes no responsibility for use of void or superseded data © Whitehall Manufacturing, Member of Morris Group International. Please visit [www.whitehallmfg.com](http://www.whitehallmfg.com) for most current specifications.

MODEL# WH2142-ADA-T-3\_10 w/ WH2802SLPT-ADA

**WARNING:** Cancer and Reproductive Harm - [www.P65Warnings.ca.gov](http://www.P65Warnings.ca.gov)

**DISCLAIMER:**

This product is designed to decrease the probability that it may be utilized as an apparatus for ligature. It is not a replacement for professionals who are trained in the proper evaluation, management and supervision of persons at risk of suicide.

**SELECTION SUMMARY & APPROVAL FOR MANUFACTURING**

Model Number & Options \_\_\_\_\_ Quantity \_\_\_\_\_  
 Company \_\_\_\_\_ Date \_\_\_\_\_  
 Contact \_\_\_\_\_ Title \_\_\_\_\_  
 Approval for Manufacturing/Signature \_\_\_\_\_